

# **Rotary Harvesting Unit 475 Plus**

## **PARTS CATALOG**

**Rotary Harvesting Unit  
475 Plus  
113770 Dezember-2017 English**

Current spare parts information, please visit: [parts1.kemper-stadtlohn.de](http://parts1.kemper-stadtlohn.de)

## Remarks and Abbreviations

The following remarks and abbreviations may appear throughout this parts catalog. Refer to the following table for translations.

Codes used in "Remarks" column	English
APPL	This application only
AR	As required
ASSY	Complete assembly
CAT	Category
CNLA	Complete no longer available (order individual parts)
CTL	Cut To Length
FI	Field installation kit
FOR	Use with
FRONT	Front
ID	Inside diameter
INCL KEYS	Including keys
KIT	Kit
L	Number of links
LGTH	Length
LH	Left- hand
LOW	Lower
MARKED	Marked
MF	Make from
NA	Not applicable
NSEP	Not supplied separately
OD	Outside diameter
OR	Or
ORD	Order
ORD W/	Also order
PACKG	Packet of
RATIO	Ratio
REAR	Rear
RH	Right- hand
SUB	Replaced by
SUB FOR	Substitutes for
TK	Thickness
UP	Upper
W/O	Without
Z	Gear and sprocket teeth number

---

Table of Contents

SUPPLIER_AID_1.....	6
Attachment frame Claas 492 - 497.....	6
Attachment frame Claas 492 - 497.....	10
Attachment frame Claas 492 - 497.....	12
Intake plate.....	14
Support legs.....	16
Drive Claas 491 - 492.....	18
Drive CLAAS 493 - 494 - 497.....	20
Drive CLAAS 496.....	22
Drive Components Multi Speed Transmission.....	24
Feeding drums.....	26
Outer feeding drums.....	28
Blade rotors.....	30
Outer blade rotors.....	32
Separator tips – sliding shoes.....	34
KM001672.....	36
Rear wall.....	38
STRIPPER.....	40
Centre table.....	42
Separator tips.....	44
BOTTOM.....	46
Conveyor drums.....	48
Wiper – conveyor drums.....	50
Protective shield.....	52
KM001574.....	54
Transverse transport drum.....	56
Pressing bracket.....	58
Crop lifter.....	60
Crop lifter.....	62
Hydraulic lifting device.....	64
Base frame.....	66
Gearbox overview.....	68
Gearbox overview.....	70
Drive shaft.....	72
Outer drive shaft.....	74
Drive shaft for launch clutches.....	76
Friction clutch – water cooled.....	78
Spur gear for feeding drum.....	80
Spur gear for feeding drum.....	82
Spur gear for feeding drum.....	84
Right-angle gear.....	86
TRANSMISSION.....	88
TRANSMISSION.....	90
TRANSMISSION.....	92
TRANSMISSION.....	94
Spur gear for outer feeding drums.....	96
Spur gear for outer feeding drums.....	98
Spur gear for outer feeding drums.....	100
Helical spur gear LCA98487.....	102

---

---

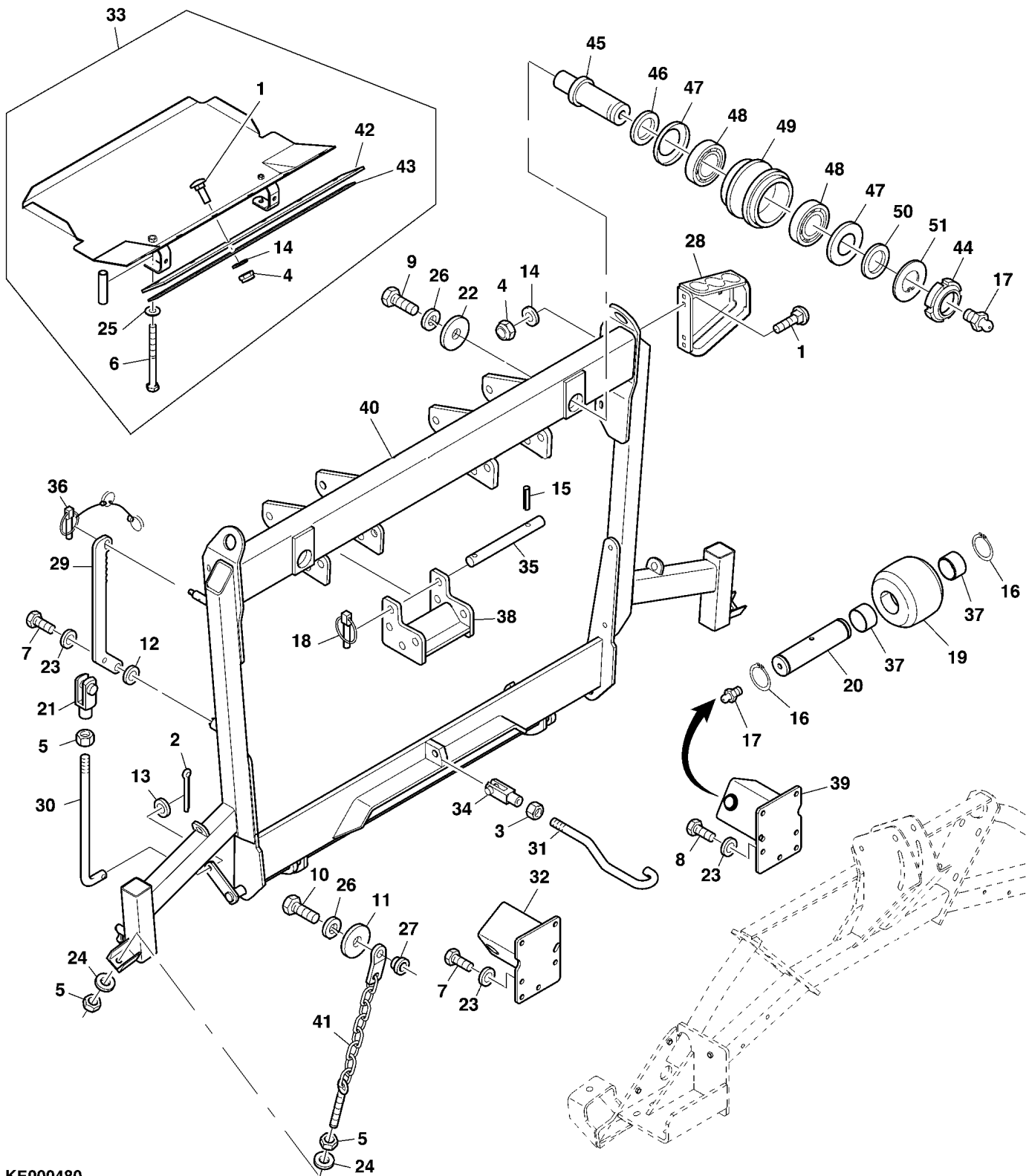
Helical spur gear LCA98487 .....	104
Helical spur gear LCA98487 .....	106
Helical spur gear LCA98488 .....	108
Helical spur gear LCA98488 .....	110
Helical spur gear LCA98487 .....	112
Right-angle gear for transverse transport drum .....	114
Gearbox CL 491 - 494 .....	116
Gearbox CL 491 - 494 .....	118
Gearbox CL 491 - 494 .....	120
Torque checking device .....	122
Labels .....	124
Steering aid .....	126
Claas Auto Contour ≤ 493 .....	128
Claas Auto Contour 494 .....	130
Electrical system Claas Auto Contour 491 - 494 .....	132
Special equipment .....	134
KM001565 .....	136
Index .....	138

---



Rotary Harvesting Unit

Attachment frame Claas 492 - 497



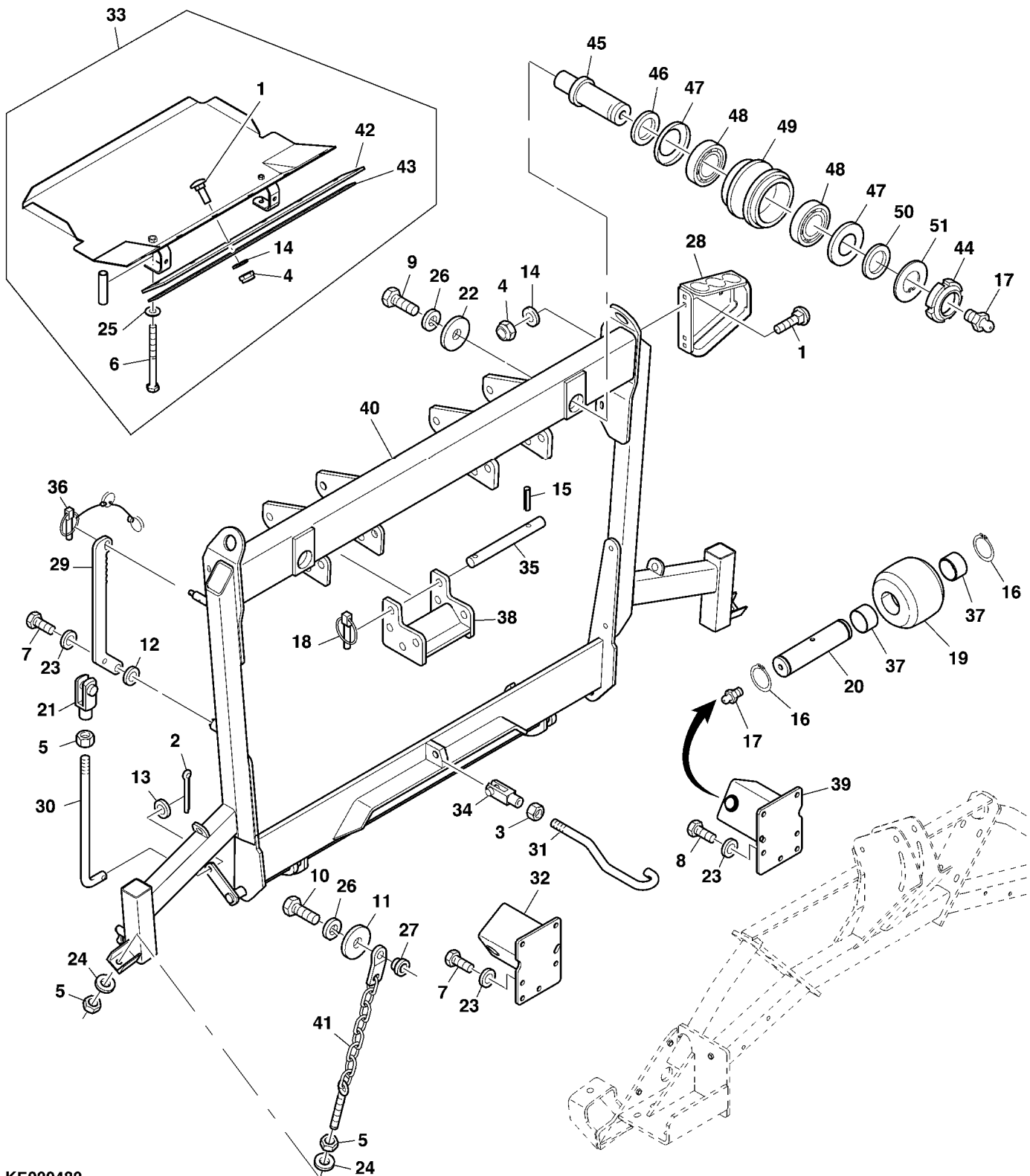
KE000480

## Attachment frame Claas 492 - 497

Item no.	Article no.	Description	Quantity	Serial No.	Remark
1	03M7393	BOLT	8		M8x25
2	11M7110	COTTER PIN	1		5x32
3	14M7616	NUT	5		M16
4	14M7659	NUT	AR		M8
5	14M7662	NUT	AR		M12
6	19M9635	CAP SCREW	AR		M8x90
7	19M9638	CAP SCREW	AR		M10x20
8	19M9639	CAP SCREW	AR		M10x25
9	19M9659	CAP SCREW	AR		M16x45
10	19M9660	CAP SCREW	AR		M16x50
11	24M7479	WASHER	AR		
12	24M7489	WASHER	AR		
13	24M7491	WASHER	AR		
14	24M7509	WASHER	AR		
15	34M7269	SPRING PIN	6		
16	40M7349	SNAP RING	4		
17	58M7017	LUBRICATION FITTING	4		
18	99M7143	QUICK LOCK PIN	6		
19	LCA106331	ROLLER	1		
20	LCA106332	PIN FASTENER	1		
21	LCA62028	SPRING LOCKING PIN	1		
22	LCA67639	WASHER	2		
23	LCA71878	LOCK WASHER	AR		
24	LCA72740	LOCK WASHER	AR		
25	LCA84221	LOCK WASHER	AR		
26	LCA89595	LOCK WASHER	AR		
27	LCA89874	BUSHING	2		
28	LCA90585	RETAINER	1		
29	LCA90695	LEVER	1		
30	LCA91137	ROD	1		
31	LCA91408	ROD	1		
32	LCA96653	BRACE	1		RH
33	111193	ADAPTER KIT	1		ASSY Info 3612
34	LCA91409	SPRING LOCKING PIN	1		
35	LCA92111	PIN FASTENER	6		
36	LCA92255	QUICK LOCK PIN	1		
37	LCA95845	BUSHING	4		
38	96109	BRACKET	2	Up to SN 128911	
38	104555	BRACKET	2	From SN 128912	
39	LCA96652	BRACE	2		LH
40	113676	113676	1		
41	97654	97654	2		
42	LCA99782	RAIL	1		
43	99783	MOLDING	1		
44	LCA92218	NUT	2		
45	LCA91502	SHAFT	2		
46	24M7594	WASHER	2		

Rotary Harvesting Unit

Attachment frame Claas 492 - 497



KE000480

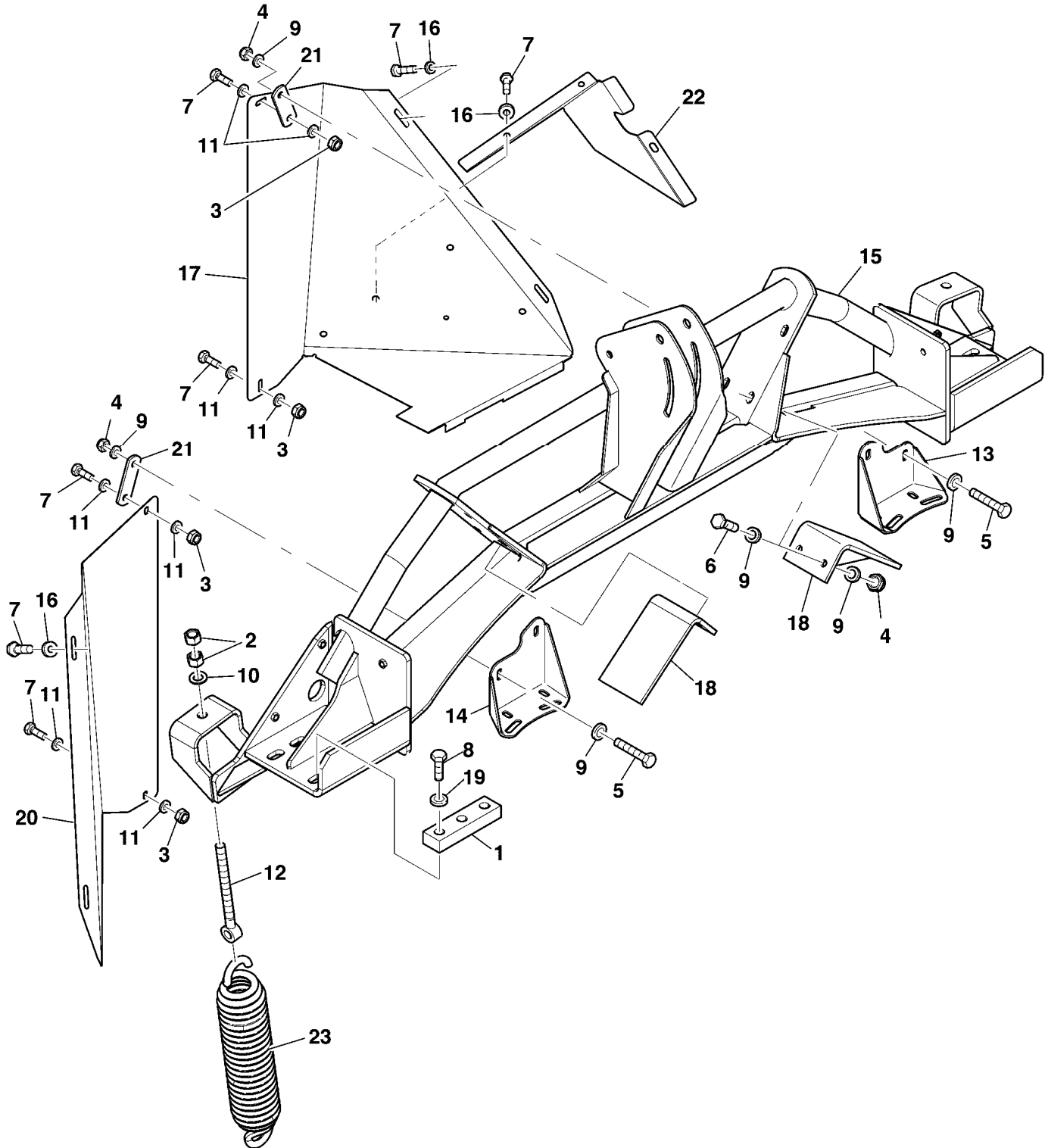


## Attachment frame Claas 492 - 497

Item no.	Article no.	Description	Quantity	Serial No.	Remark
47	LCA29460	SEALING WASHER	4		
48	LCA05119	TAPERED ROLLER BEARING	4		
49	LCA91501	ROLLER	2		
50	24M4813	SHIM	2		
51	LCA91503	LOCK PLATE	2		
...	114596	114596	1		

Rotary Harvesting Unit

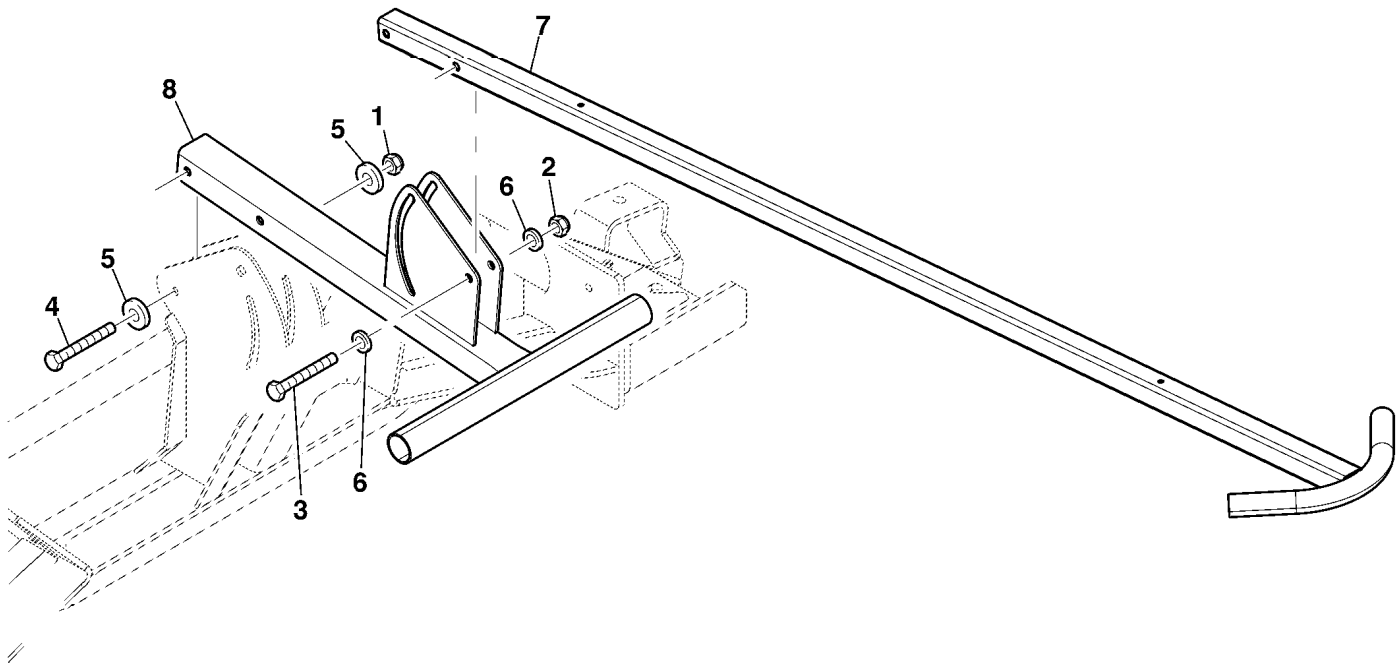
Attachment frame Claas 492 - 497



KE000481

## Attachment frame Claas 492 - 497

Item no.	Article no.	Description	Quantity	Serial No.	Remark
1	LCA107038	STRAP	4		
2	14M7616	NUT	AR		M16
3	14M7659	NUT	AR		M8
4	14M7660	NUT	AR		M10
5	19M9592	CAP SCREW	AR		M10x90
6	19M9641	CAP SCREW	AR		M10x35
7	19M9682	CAP SCREW	AR		M8x20
8	19M9901	CAP SCREW	12		M16x70
9	24M7488	WASHER	AR		
10	24M7497	WASHER	AR		
11	24M7509	WASHER	AR		
12	CC30400	EYEBOLT	2		
13	117760	117760	1		LH
14	117761	117761	1		RH
15	107407	BRACKET	1		
16	LCA84221	LOCK WASHER	AR		
17	96643	GUARD	1		LH
18	86451	STOP	1		
19	LCA89595	LOCK WASHER	AR		
20	90706	GUARD	1		RH
21	93129	STRAP	1		
22	96485	GUARD	1		
23	Z67236	EXTENSION SPRING	2		

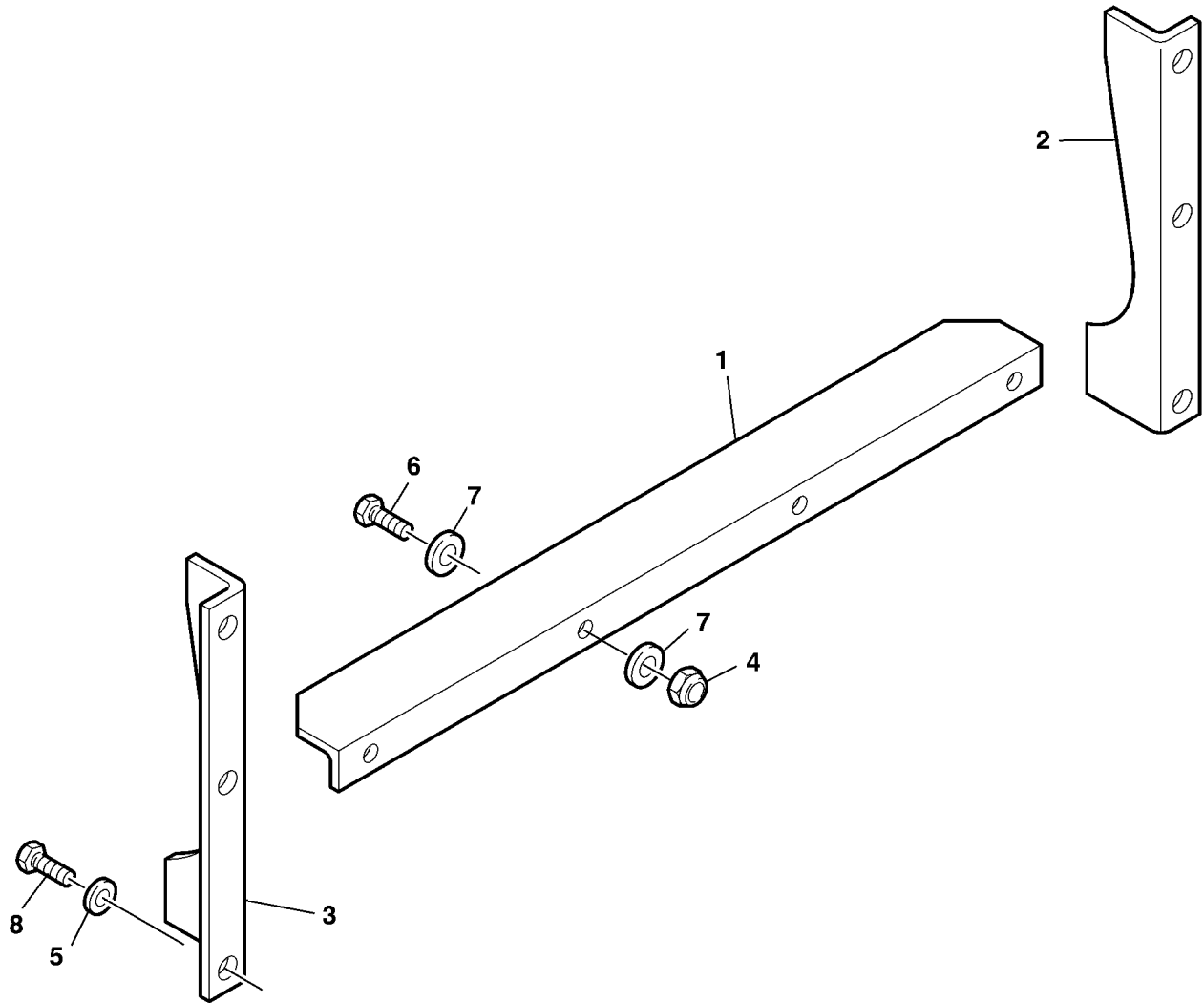


KE000482

## Attachment frame Claas 492 - 497

Item no.	Article no.	Description	Quantity	Serial No.	Remark
1	14M7660	NUT	2		M10
2	14M7670	LOCK NUT	2		M12
3	19M9603	CAP SCREW	2		M12x70
4	19M10125	CAP SCREW	2		M12x95
5	24M7484	WASHER	4		
6	24M7491	WASHER	4		
7	88321	TUBE	1		
8	LCA98251	SUPPORT	1		

Intake plate

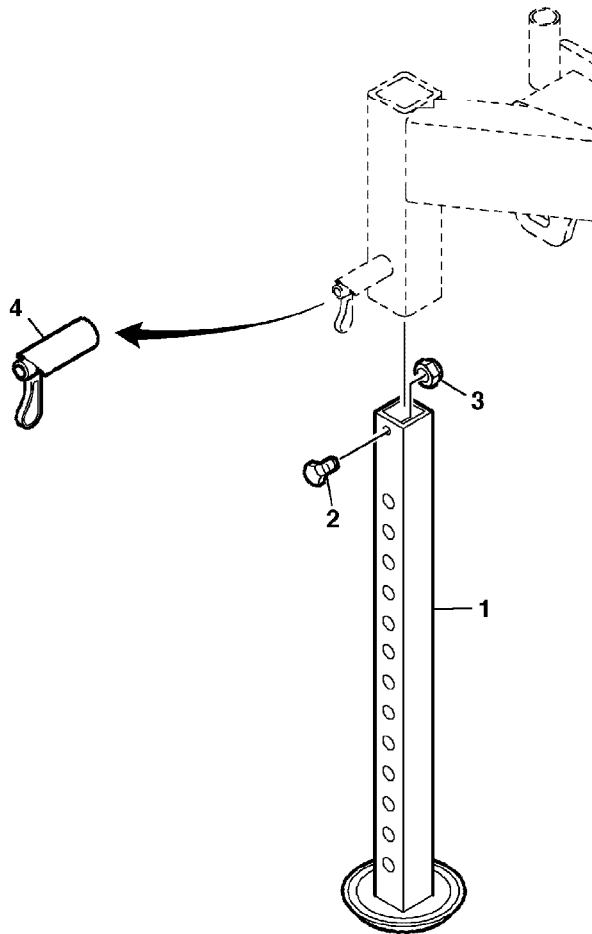


KE000479

## Intake plate

Item no.	Article no.	Description	Quantity	Serial No.	Remark
1	96116	SHIELD	1	Up to SN 128911	
1	117590	SHIELD	1	From SN 128912	
2	96117	DEFLECTOR	1	Up to SN 128911	LH
2	117591	DEFLECTOR	1	From SN 128912	LH
3	96118	DEFLECTOR	1	Up to SN 128911	RH
3	117592	DEFLECTOR	1	From SN 128912	RH
4	14M7659	NUT	4		M8
5	LCA72740	LOCK WASHER	4		
6	19M9682	CAP SCREW	4		M8x20
7	24M7508	WASHER	8		
8	19M9646	CAP SCREW	4		M12x20

Support legs

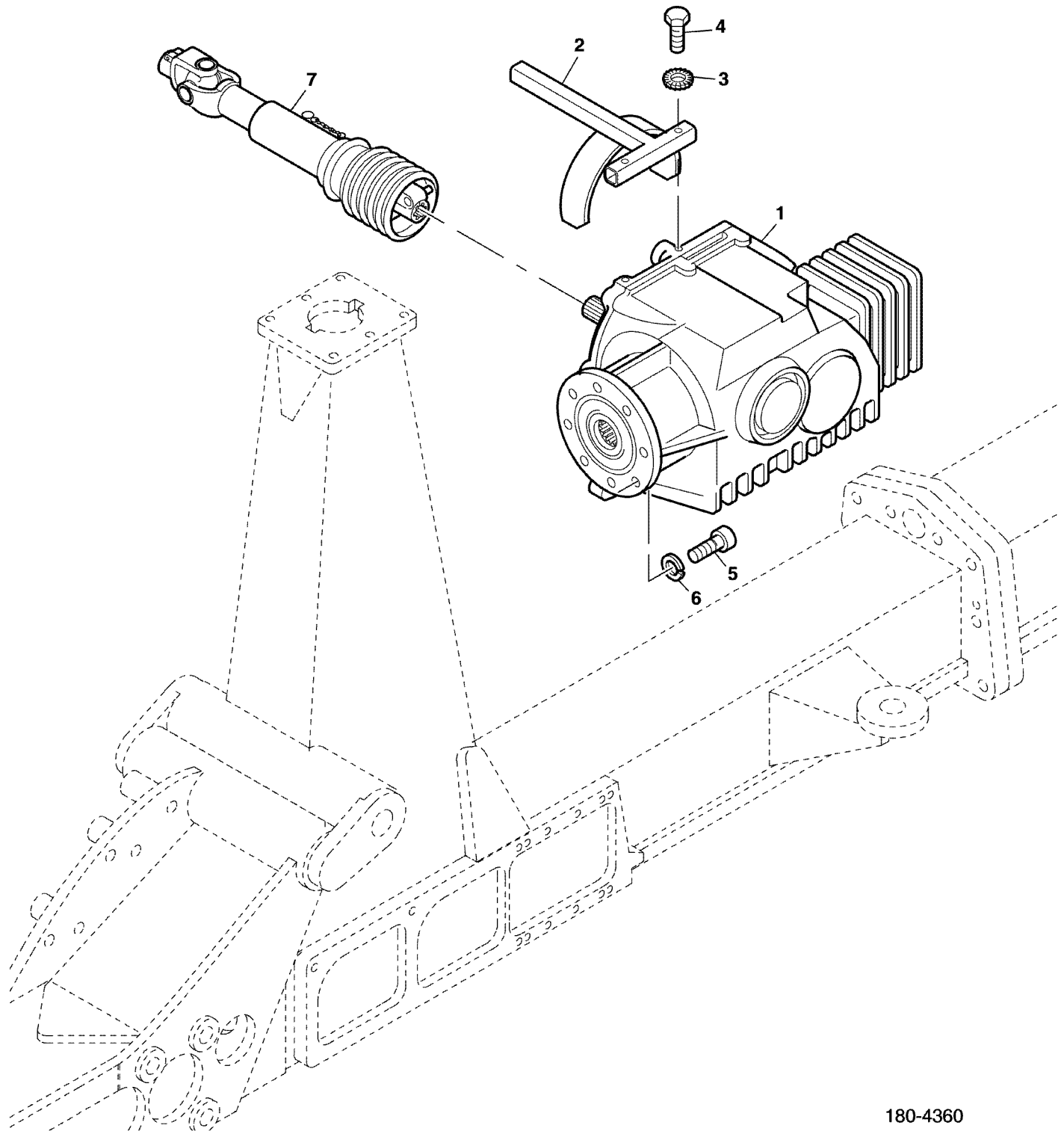


KM000401



**Rotary Harvesting Unit****Support legs**

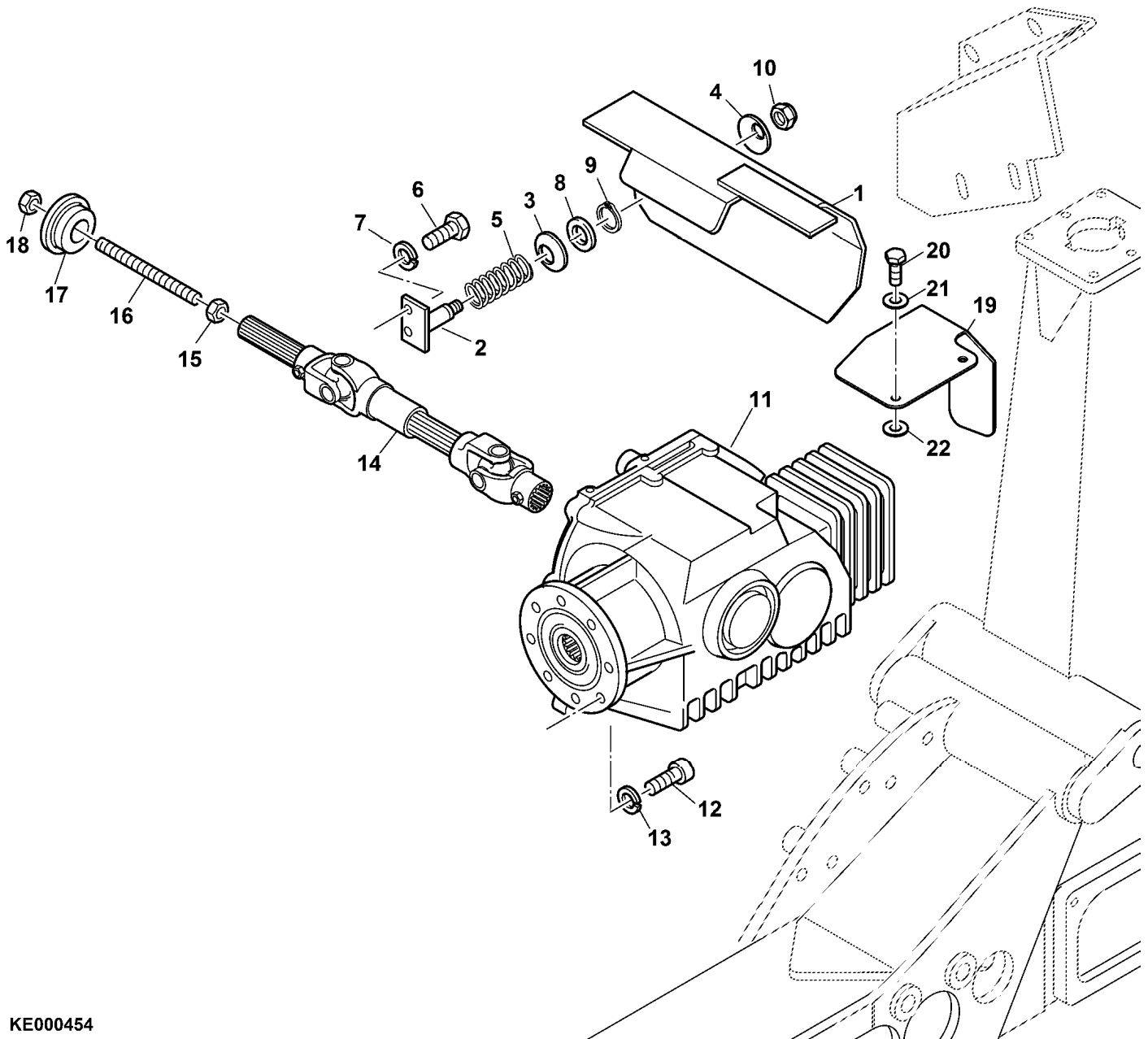
Item no.	Article no.	Description	Quantity	Serial No.	Remark
1	LCA72673	STAND	2		
2	19M9674	CAP SCREW	2		M6x12
3	14M7668	LOCK NUT	2		M6
4	LCA104172	LATCH	2		



180-4360

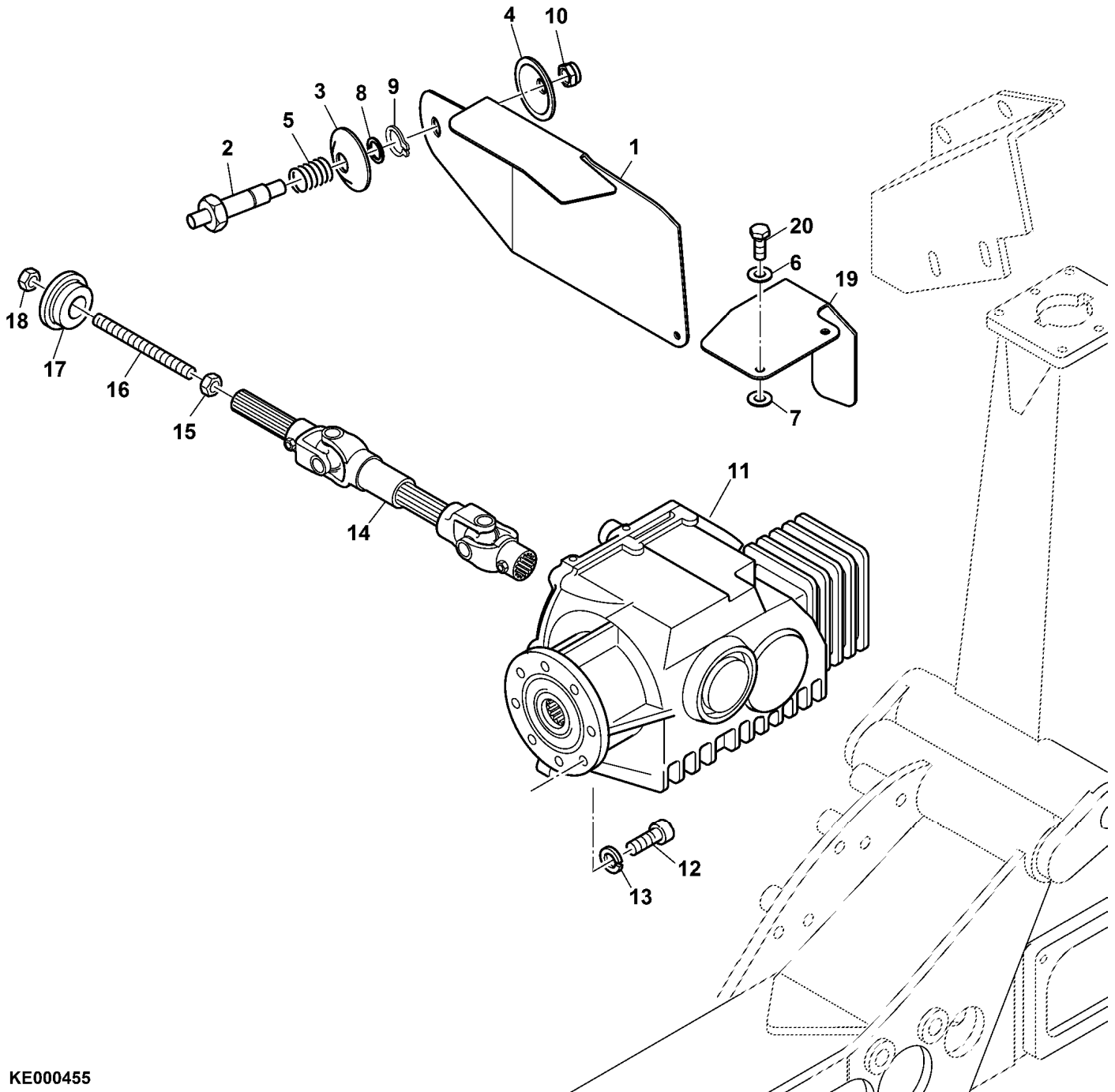
**Rotary Harvesting Unit****Drive Claas 491 - 492**

Item no.	Article no.	Description	Quantity	Serial No.	Remark
1	114612	TRANSMISSION	1		(A) Typ 492
2	91274	RETAINER	1		
3	LCA84221	LOCK WASHER	2		
4	19M9684	CAP SCREW	2		M8x30
5	19M10058	BOLT	8		M10x30
6	LCA40940	LOCK WASHER	8		
7	90708	UNIVERSAL DRIVESHAFT	1		1 3/8"-21+1 3/4"-20
.....	111595	KIT	1		Info 3760
-	-	(A) The Kemper part number can be found on the serial number plate.			



KE000454

Item no.	Article no.	Description	Quantity	Serial No.	Remark
1	111794	GUARD	1		
2	92449	RETAINER	1		
3	LCA92451	COVER	1		
4	LCA92450	COVER	1		
5	06241	COMPRESSION SPRING	1		
6	19M9638	CAP SCREW	2		M10x20
7	LCA71878	LOCK WASHER	2		
8	24M7553	SHIM	1		
9	40M7360	SNAP RING	1		
10	14M7670	LOCK NUT	1		
11	114612	TRANSMISSION	1		(A)
11	91571	TRANSMISSION	1		(A) Kurze Schnittlängen
12	19M10058	BOLT	8		M10x30
13	LCA40940	LOCK WASHER	8		
14	LCA111711	UNIVERSAL DRIVESHAFT	1		1 3/4"-20+1 3/4"-20
15	14M7616	NUT	1		
16	LCA96110	PIN FASTENER	1		
17	LCA111578	BUSHING	1		
18	14M7661	NUT	1		M16
19	111572	SHEET	1		
20	19M9682	CAP SCREW	2		M8x20
21	LCA84221	LOCK WASHER	2		
22	24M7509	WASHER	AR		
.....	111596	KIT	1		Info 3761
.....	LCA111643	LCA111643	1		Info 3766
.....	LCA111610	UNIVERSAL DRIVESHAFT	1		ASSY
-	-	(A) The Kemper part number can be found on the serial number plate.			

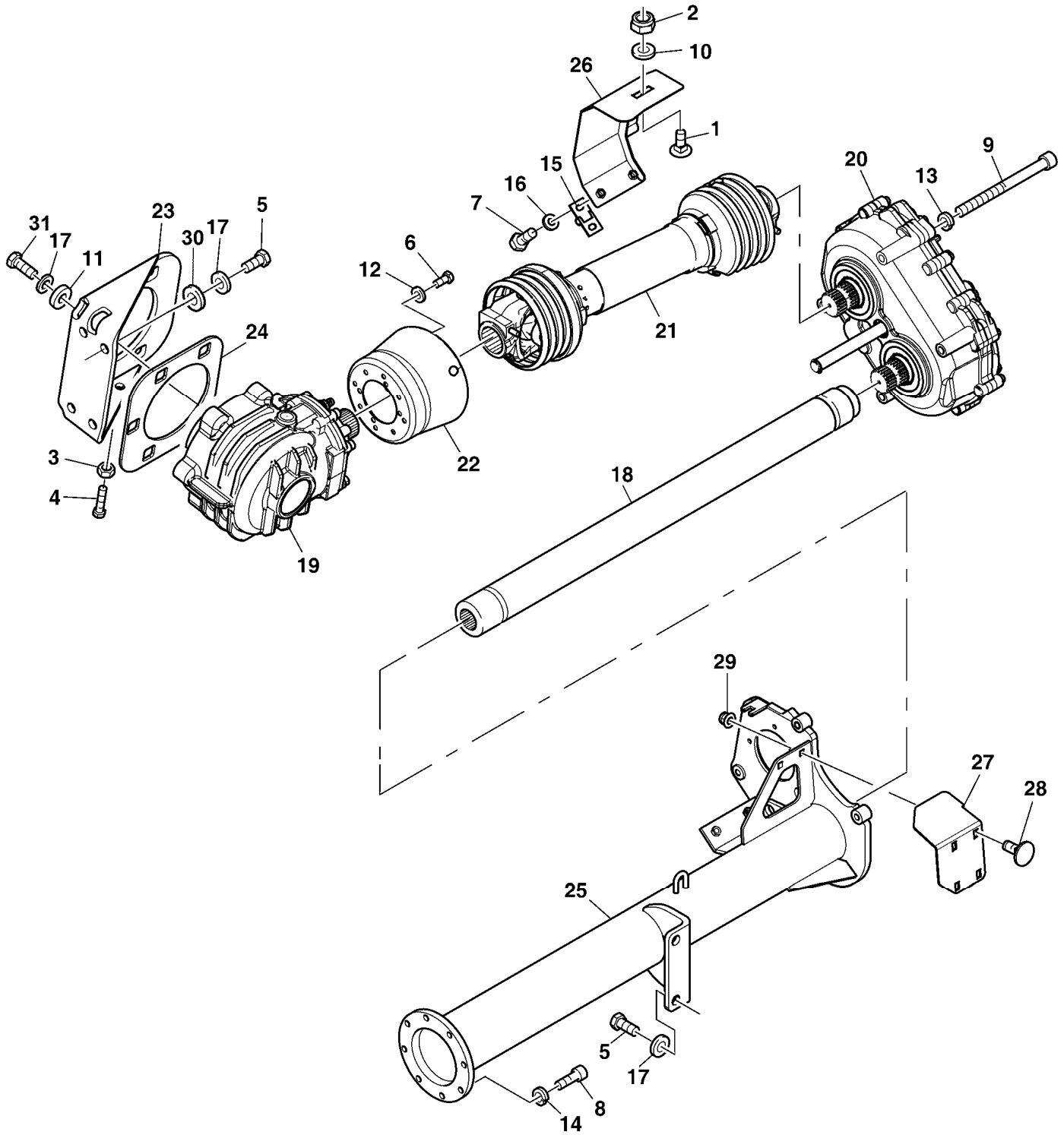


KE000455

Item no.	Article no.	Description	Quantity	Serial No.	Remark
1	111571	GUARD	1		
2	LCA111579	SHAFT	1		
3	LCA92451	COVER	1		
4	LCA92450	COVER	1		
5	06241	COMPRESSION SPRING	1		
6	LCA84221	LOCK WASHER	2		
7	24M7509	WASHER	AR		
8	24M7553	SHIM	1		
9	40M7360	SNAP RING	1		
10	14M7670	LOCK NUT	1		M12
11	114612	TRANSMISSION	1		(A)
11	91571	TRANSMISSION	1		(A) Kurze Schnittlängen
12	19M10058	BOLT	8		
13	LCA40940	LOCK WASHER	8		
14	LCA111711	UNIVERSAL DRIVESHAFT	1		1 3/4"-20+1 3/4"-20
15	14M7616	NUT	1		M16
16	LCA111608	ADJUSTER	1		
17	LCA111578	BUSHING	1		
18	14M7661	NUT	1		M16
19	111572	SHEET	1		
20	19M9682	CAP SCREW	2		M8x20
.....	111595	KIT	1		Info 3760
.....	111596	KIT	1		Info 3761
-	-	(A) The Kemper part number can be found on the serial number plate.			

Rotary Harvesting Unit

Drive Components Multi Speed Transmission



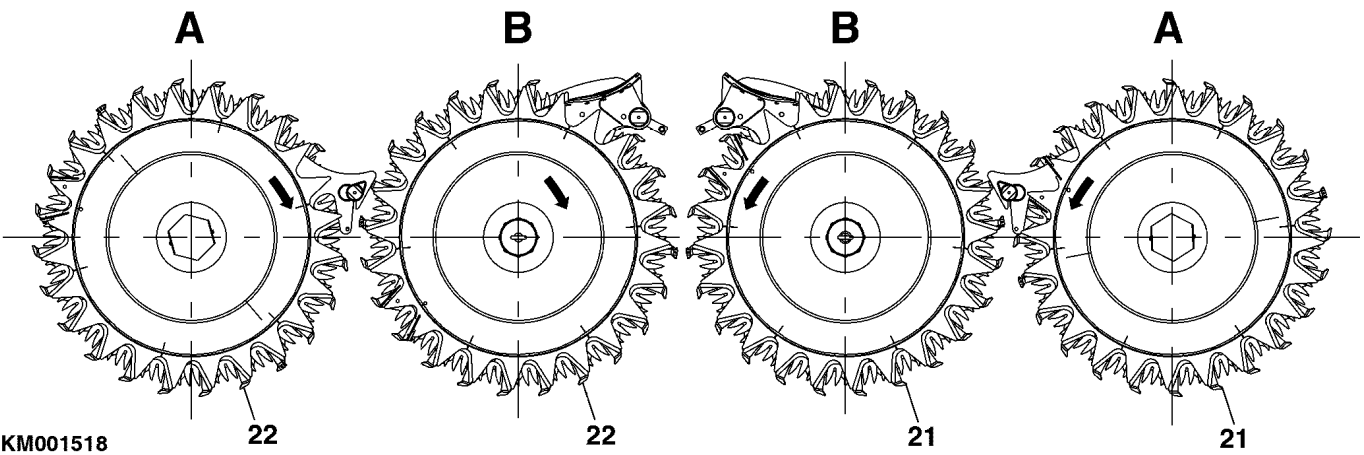
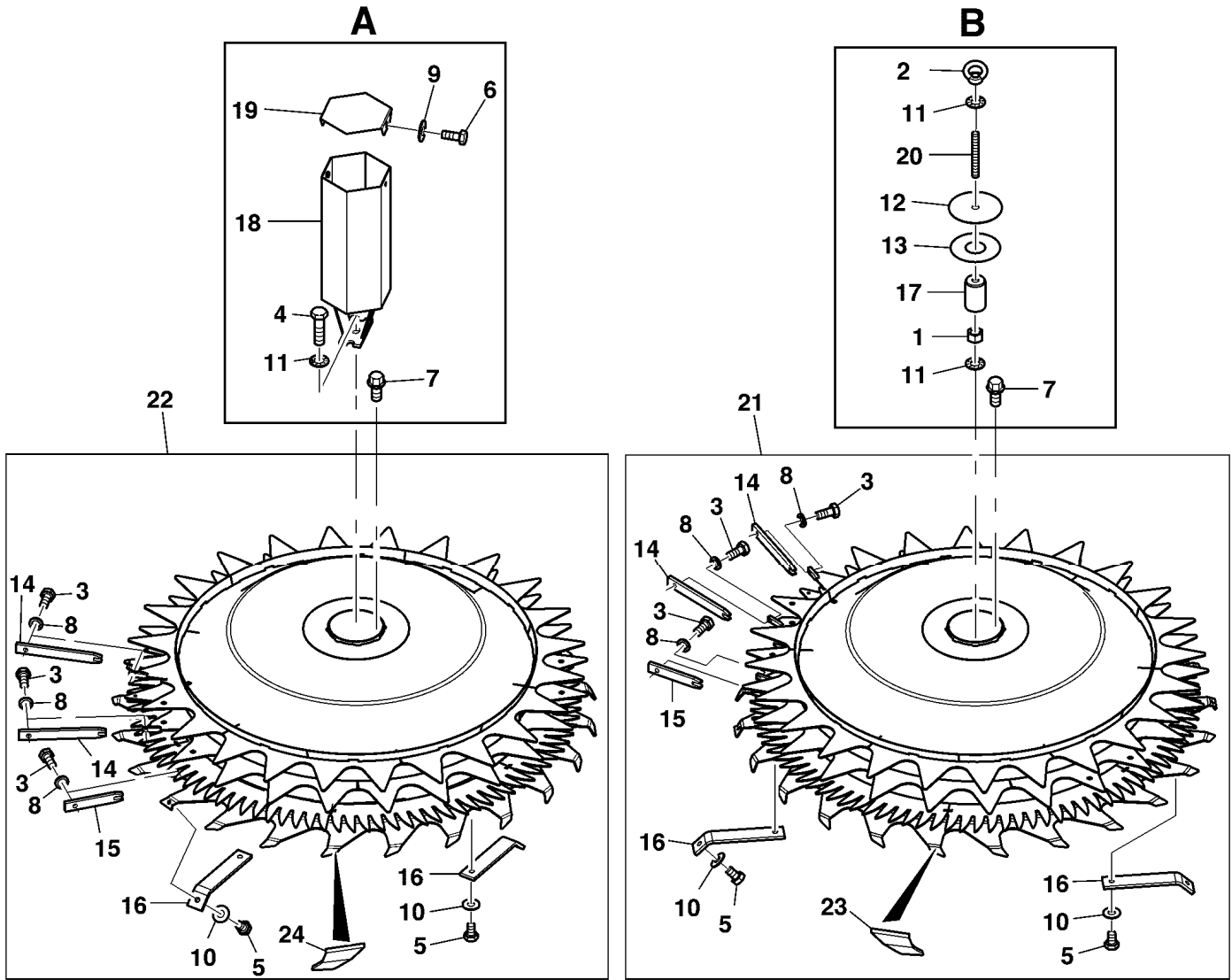
KE000497



## Drive Components Multi Speed Transmission

Item no.	Article no.	Description	Quantity	Serial No.	Remark
1	03M7405	BOLT	1		M10x25
2	14M7660	NUT	1		M10
3	14M7662	NUT	1		M12
4	19M9651	CAP SCREW	1		M12x50
5	19M9657	CAP SCREW	4		M16x35
6	19M9681	CAP SCREW	4		M8x16
7	19M9682	CAP SCREW	4		M8x20
8	19M10058	BOLT	8		M10x30
9	19M10371	BOLT	4		M12x140
10	24M7477	WASHER	1		
11	24M7479	WASHER	5		
12	24M7509	WASHER	4		
13	LCA03356	LOCK WASHER	4		
14	LCA40940	LOCK WASHER	8		
15	LCA60311	HINGE	2		
16	LCA84221	LOCK WASHER	4		
17	LCA89595	LOCK WASHER	9		
18	LCA109452	SHAFT	1		
19	115749	TRANSMISSION	1		
20	115752	TRANSMISSION	1		
21	LCA110087	UNIVERSAL DRIVESHAFT	1		
22	LCA111005	POWERSHAFT SHIELD	1		
23	111006	BRACKET	1		
24	LCA111007	SHEET	1		
25	LCA115060	CROSSBAR	1		
26	111178	111178	1		
27	113283	SHEET	1		
28	03M7404	BOLT	2		M8x20
29	14M7396	LOCK NUT	2		M8
30	24M7529	WASHER	4		
31	19M9659	CAP SCREW	5		M16x45

Feeding drums



KM001518

22

22

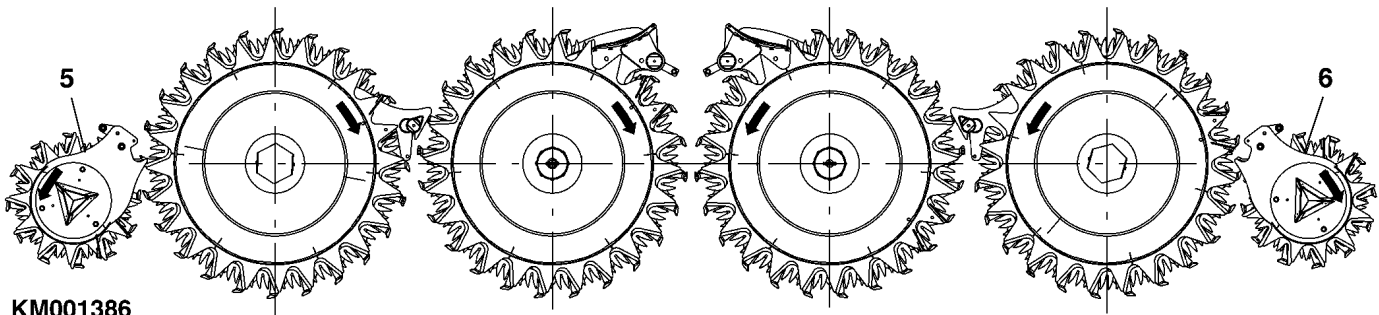
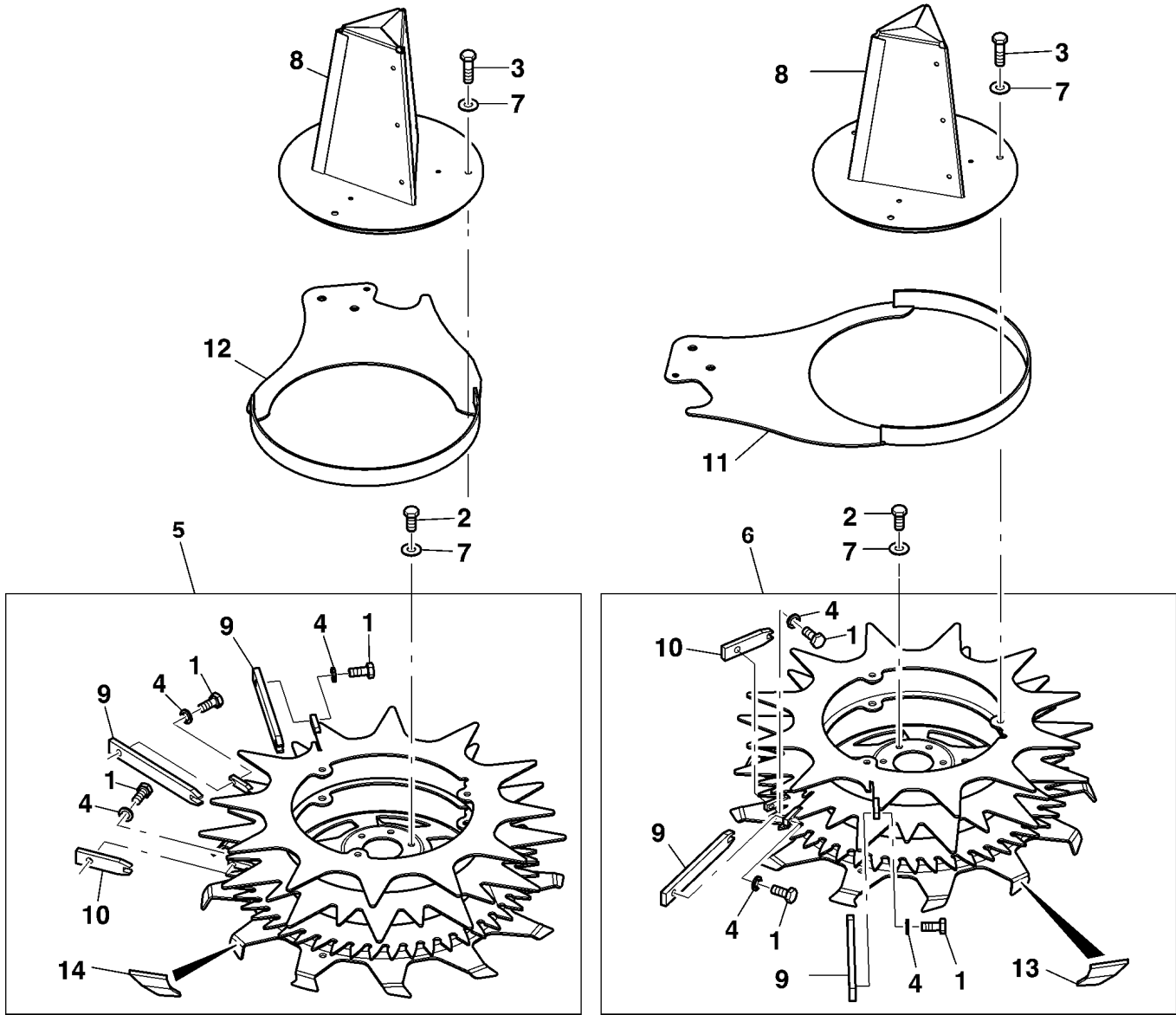
21

21

## Feeding drums

Item no.	Article no.	Description	Quantity	Serial No.	Remark
1	14M7617	NUT	2		M20
2	14M7629	NUT	2		M20
3	19M10030	CAP SCREW	12		M8x18
4	19M9466	CAP SCREW	2		M20x70
5	19M9680	CAP SCREW	16		M8x12
6	19M9682	CAP SCREW	2		M8x20
7	19M9759	WHEEL BOLT	24		M14x24
8	LCA03734	LOCK WASHER	12		
9	LCA71878	LOCK WASHER	2		
10	LCA84221	LOCK WASHER	16		
11	LCA89873	LOCK WASHER	6		
12	LCA89840	WASHER	2		
13	LCA91677	LABEL	2		
14	LCA92910	ROTATING SCRAPER	8		
15	LCA92911	ROTATING SCRAPER	4		
16	LCA95370	ROTATING SCRAPER	8		
17	LCA96191	TUBE	2		
18	LCA97384	DRUM	2		
19	LCA97387	COVER	2		
20	LCA97888	ROD	2		
21	107947	DRUM	2		
22	107948	DRUM	2		
23	LCA90655	TOOTH	AR		(A)
24	LCA90654	TOOTH	AR		(B)
-	-	(A) Clockwise Rotating			
-	-	(B) Counterclockwise Rotating			

Outer feeding drums



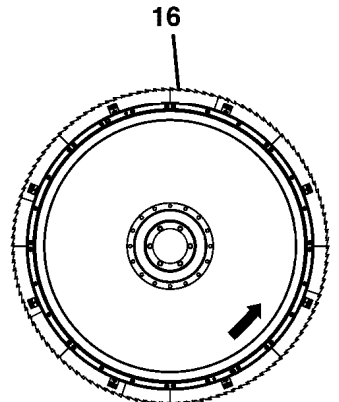
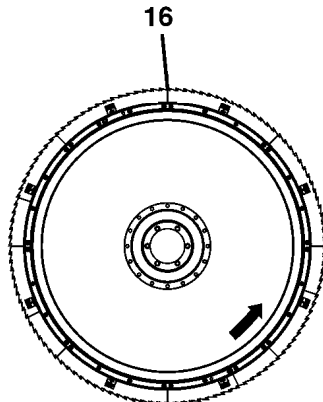
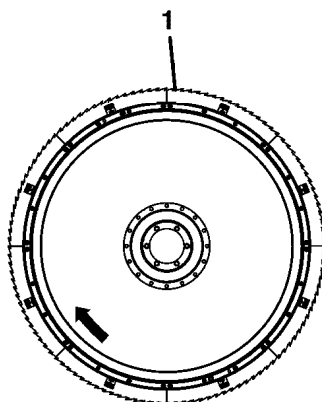
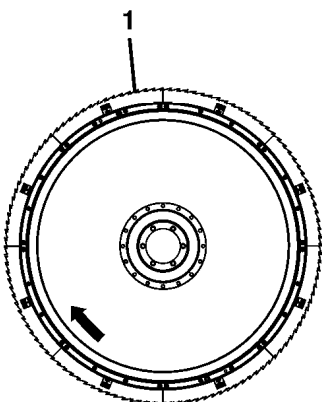
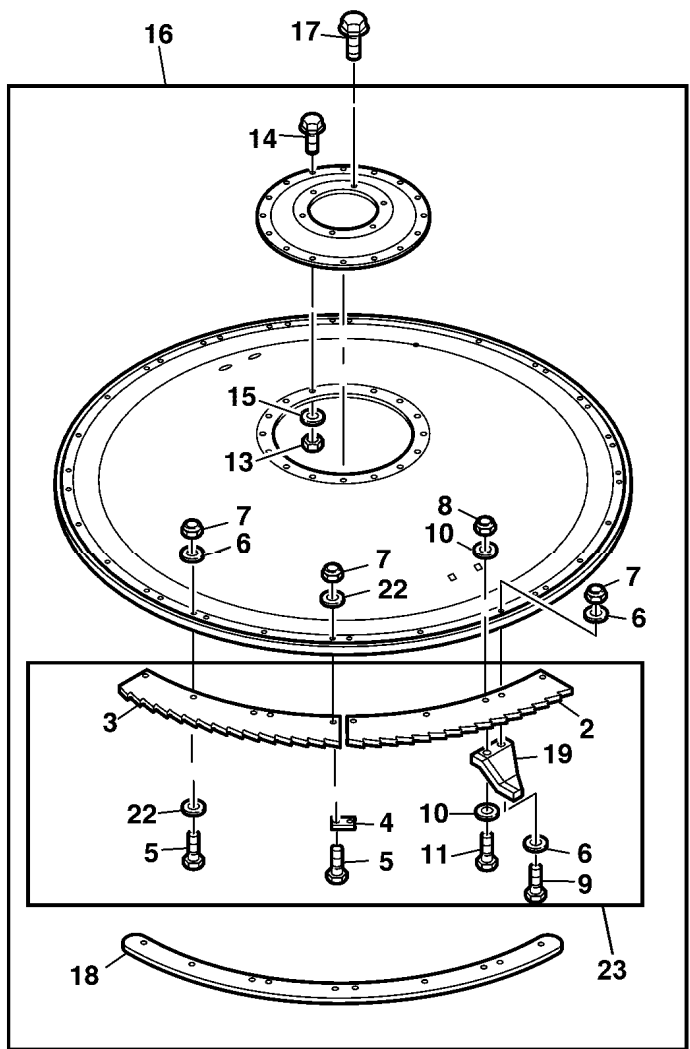
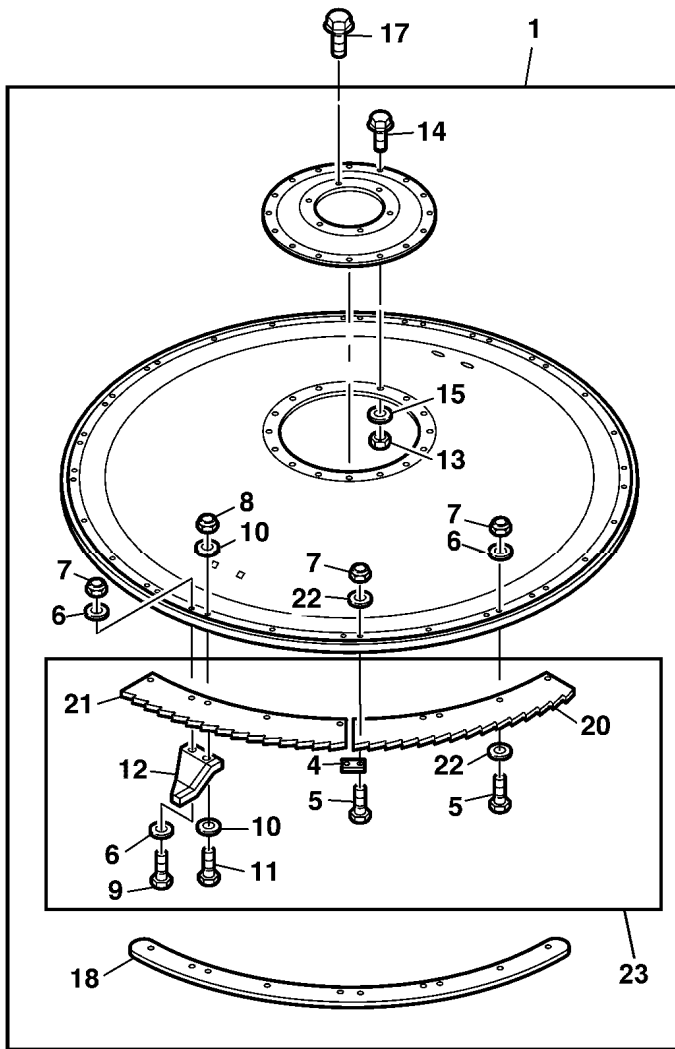
KM001386

**Rotary Harvesting Unit**

**Outer feeding drums**

Item no.	Article no.	Description	Quantity	Serial No.	Remark
1	19M10030	CAP SCREW	6		M8x18
2	19M9647	CAP SCREW	12		M12x25
3	19M9650	CAP SCREW	6		M12x40
4	LCA03734	LOCK WASHER	12		
5	100090	DRUM	1		
6	100091	DRUM	1		
7	LCA72740	LOCK WASHER	18		
8	92898	BRACKET	2		
9	LCA92910	ROTATING SCRAPER	4		
10	LCA93241	ROTATING SCRAPER	2		
11	93690	SHIELD	1	Up to SN 128911	
11	118009	SHIELD	1	From SN 128912	
12	93691	SHIELD	1	Up to SN 128911	
12	118010	SHIELD	1	From SN 128912	
13	LCA90655	TOOTH	AR		(A)
14	LCA90654	TOOTH	AR		(B)
-	-	(A) Clockwise Rotating			
-	-	(B) Counterclockwise Rotating			

Blade rotors



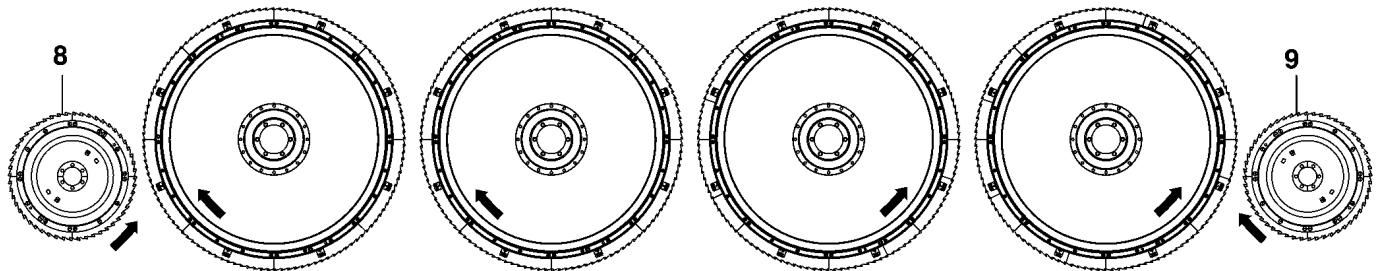
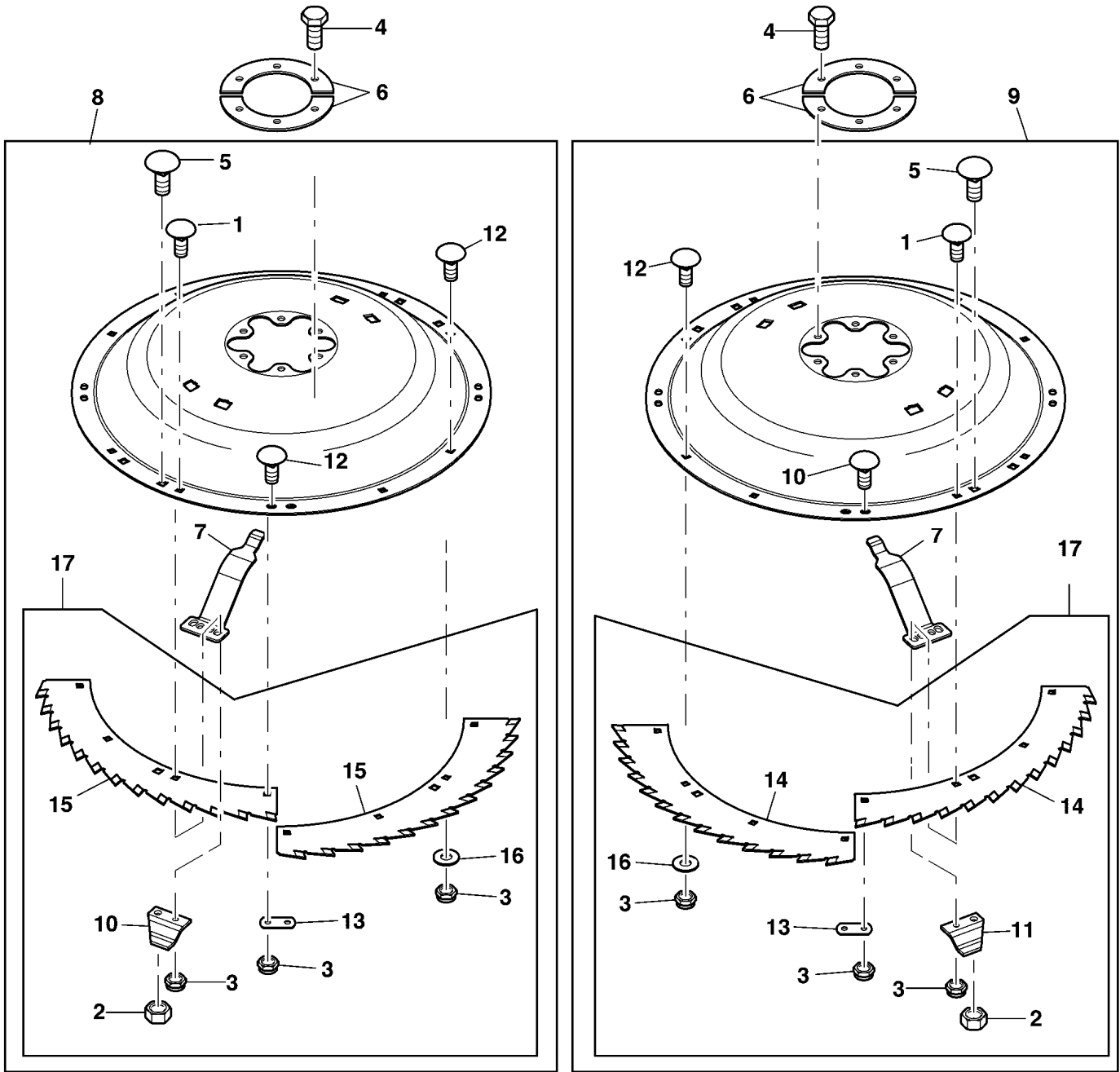
KM001390

## Blade rotors

Item no.	Article no.	Description	Quantity	Serial No.	Remark
1	LCA96601	ROTOR	2		(A)
2	LCA78239	KNIFE	8		(A)
3	LCA78237	KNIFE	8		(A)
4	LCA88009	STRAP	16		
5	19M9682	CAP SCREW	AR		M8x20
6	24M7509	WASHER	AR		
7	14M7659	NUT	AR		M8
8	14M7610	LOCK NUT	4		M10
9	19M9684	CAP SCREW	AR		M8x30
10	LCA71878	LOCK WASHER	4		
11	19M9640	CAP SCREW	2		M10x30
12	LCA67156	ROTATING SCRAPER	4		
13	14M7685	LOCK NUT	AR		M8
14	19M9683	CAP SCREW	AR		M8x25
15	24M7482	WASHER	AR		
16	LCA96602	ROTOR	2		(A)
17	LCA56600	CAP SCREW	24		
18	LCA97894	REINFORCEMENT	8		
19	LCA67157	ROTATING SCRAPER	4		
20	LCA78236	KNIFE	8		(A)
21	LCA78238	KNIFE	8		(A)
22	LCA84221	LOCK WASHER	AR		
23	LCA89940	KIT	1		(A) (C)
23	LCA89941	KIT	1		(B) (C)
-	-	(A) coated			
-	-	(C) One service kit is for two gatherer drums			
-	-	(B) uncoated			

Rotary Harvesting Unit

Outer blade rotors



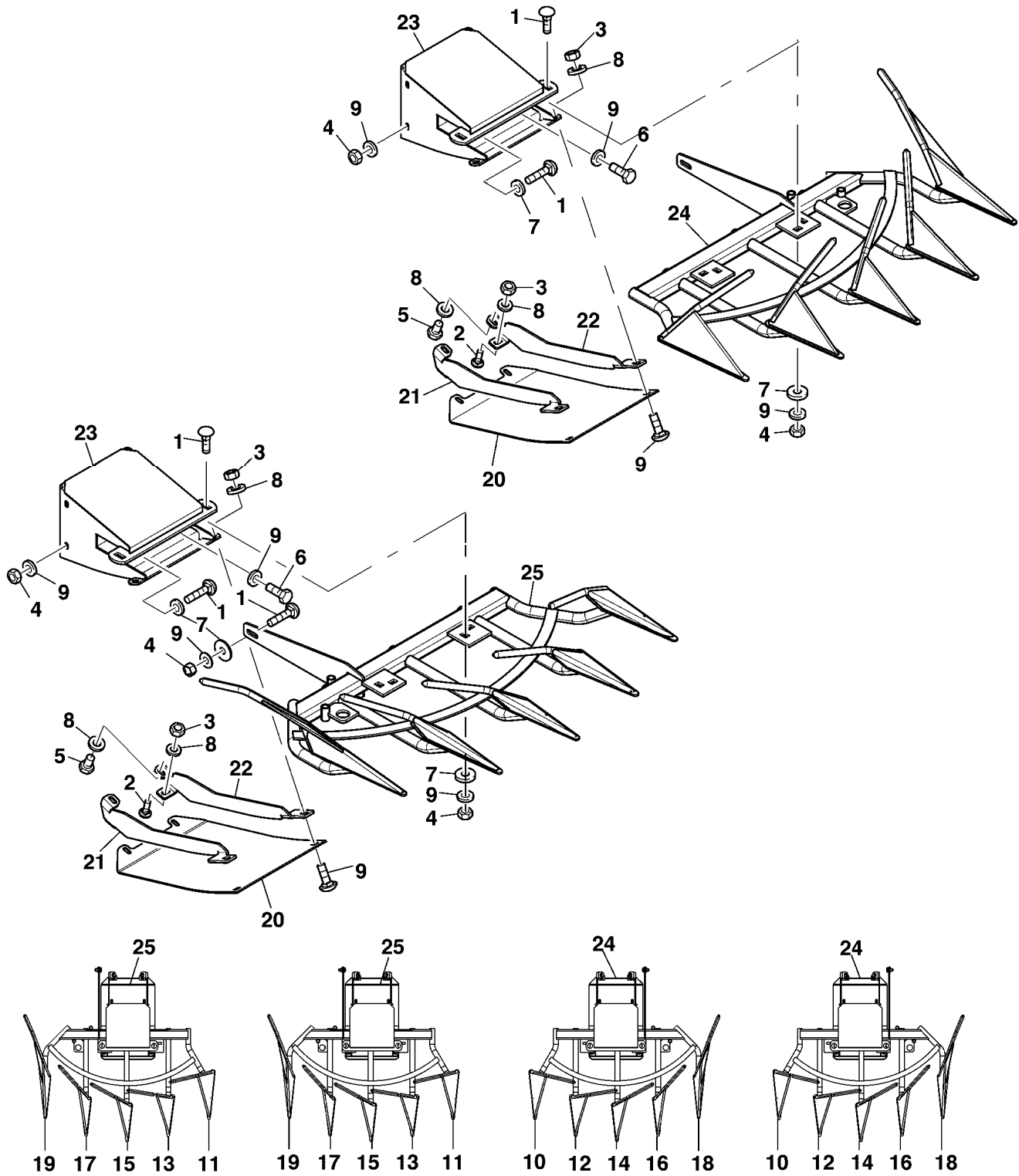
KM001589



## Outer blade rotors

Item no.	Article no.	Description	Quantity	Serial No.	Remark
1	03M7393	BOLT	4		M8x25
2	14M7614	NUT	AR		M10
3	14M7659	NUT	AR		M8
4	19M8761	CAP SCREW	AR		M10x22
5	LCA106698	BOLT	4		
6	LCA107065	SHEET	6		
7	LCA109068	ROTATING SCRAPER	2		
8	LCA109070	ROTOR	1		(A)
9	LCA109071	ROTOR	1		(A)
10	LCA69805	ROTATING SCRAPER	2		
11	LCA69806	ROTATING SCRAPER	2		
12	LCA69947	BOLT	8		
13	LCA76374	STRAP	4		
14	LCA95959	KNIFE	4		PACKG (2) (A)
15	LCA95958	KNIFE	4		PACKG (2) (A)
16	LCA84221	LOCK WASHER	AR		
17	LCA79040	KIT	1		(A) (C)
17	LCA78553	KIT	1		(B) (C)
-	-	(A) coated			
-	-	(C) One service kit is for two gatherer drums			
-	-	(B) uncoated			

Separator tips – sliding shoes

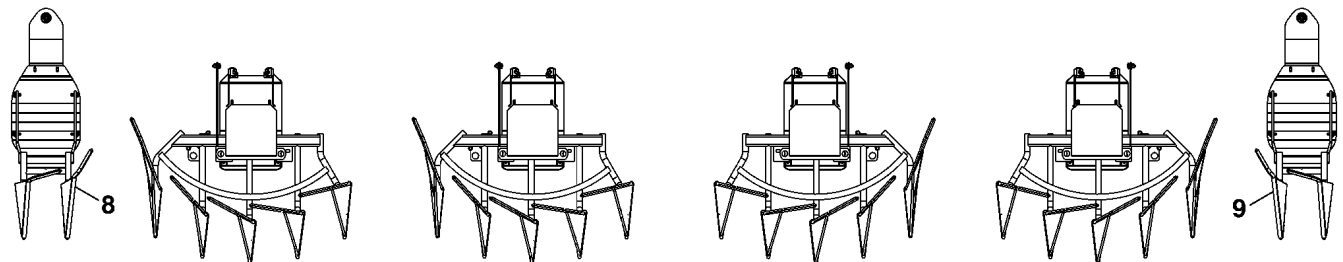
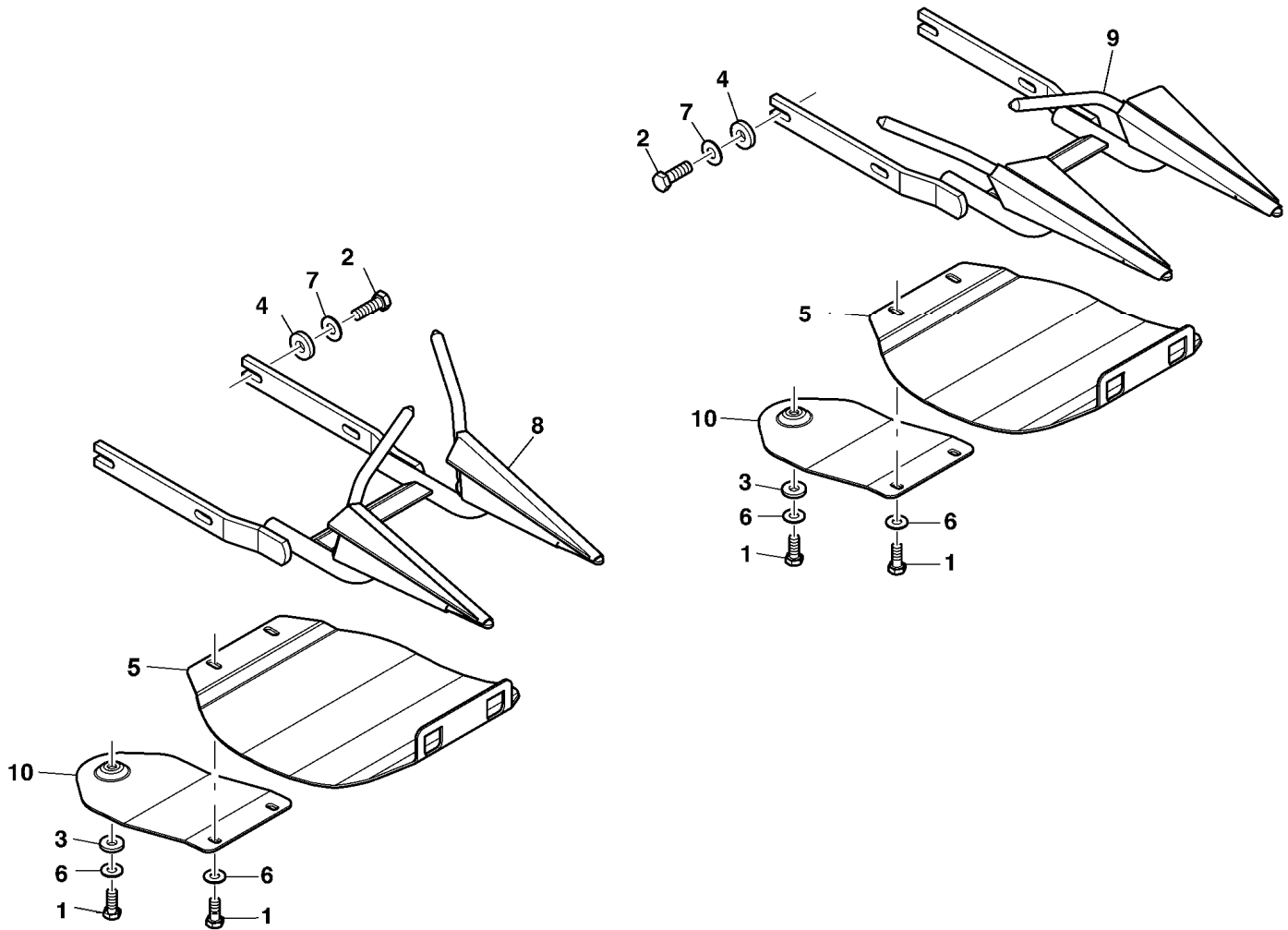


KM001396

## Separator tips – sliding shoes

Item no.	Article no.	Description	Quantity	Serial No.	Remark
1	03M7408	BOLT		AR	M12x35
2	03M7420	BOLT		AR	M10x30
3	14M7614	NUT		AR	M10
4	14M7662	NUT		AR	M12
5	19M9638	CAP SCREW		AR	M10x20
6	19M9648	CAP SCREW		AR	M12x30
7	24M7493	WASHER		AR	
8	LCA71878	LOCK WASHER		AR	
9	LCA72740	LOCK WASHER		AR	
10	LCA89984	GATHERER POINT	2		
11	LCA89985	GATHERER POINT	2		
12	LCA89986	GATHERER POINT	2		
13	LCA89987	GATHERER POINT	2		
14	LCA89988	GATHERER POINT	2		
15	LCA89989	GATHERER POINT	2		
16	LCA89990	GATHERER POINT	2		
17	LCA89991	GATHERER POINT	2		
18	LCA89992	GATHERER POINT	2		
19	LCA89993	GATHERER POINT	2		
20	LCA90661	SKID PLATE	4	Up to SN 128911	
20	LCA110020	SKID PLATE	4	From SN 128912	
21	LCA93681	SHEET	4	Up to SN 128911	LH
21	LCA110022	LCA110022	4	From SN 128912	LH
22	LCA93682	SHEET	4	Up to SN 128911	RH
22	LCA110023	LCA110023	4	From SN 128912	RH
23	LCA94058	SUPPORT	4	Up to SN 128911	
23	LCA104726	BRACKET	4	From SN 128912	
24	97977	GATHERER POINT	2	Up to SN 128911	
24	106979	GATHERER POINT	2	From SN 128912	
25	97978	GATHERER POINT	2	Up to SN 128911	
25	106980	GATHERER POINT	2	From SN 128912	

KM001672

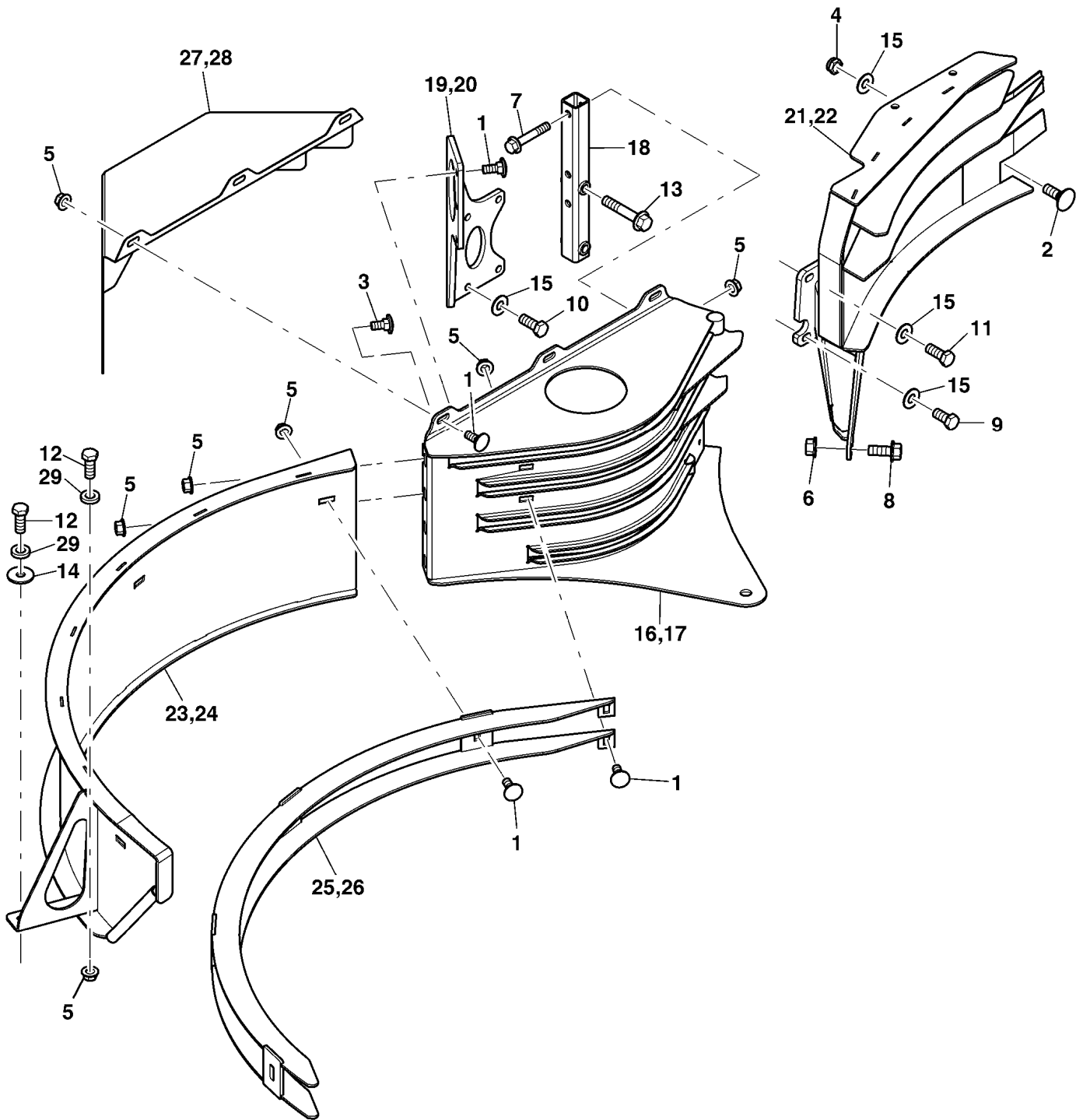


KM001672

Item no.	Article no.	Description	Quantity	Serial No.	Remark
1	19M9639	CAP SCREW	6		M10x25
2	19M9649	CAP SCREW	8		M12x35
3	24M7477	WASHER	2		
4	24M7478	WASHER	8		
5	LCA100120	SKID PLATE	2		
6	LCA71878	LOCK WASHER	6		
7	LCA72740	LOCK WASHER	8		
8	114584	GATHERER POINT	1		
9	114583	GATHERER POINT	1		
10	LCA94905	FENDER	2		

Rotary Harvesting Unit

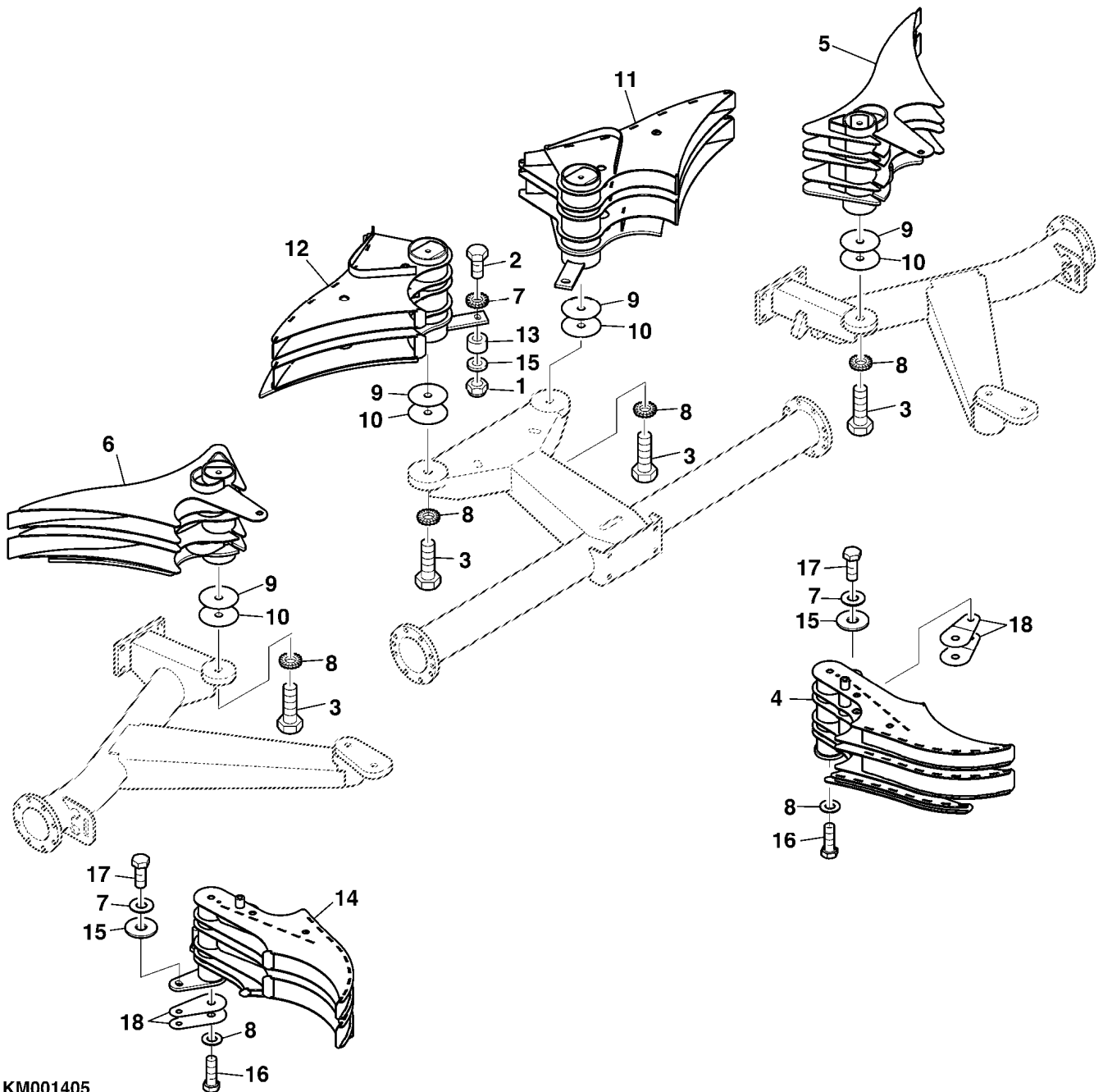
Rear wall



KM001521

Item no.	Article no.	Description	Quantity	Serial No.	Remark
1	03M7405	BOLT		AR	M10x25
2	03M7408	BOLT	2		M12x35
3	03M7472	BOLT	6		M10x30
4	14M7670	LOCK NUT	2		M12
5	14M7296	Flange Nut		AR	M10
6	14M7299	Flange Nut	2		M12
7	19M7807	CAP SCREW	6		M10x60
8	19M9571	Cap Screw	2		M12x30
9	19M9647	CAP SCREW	2		M12x25
10	19M9648	CAP SCREW	8		M12x30
11	19M9649	CAP SCREW	4		M12x35
12	19M9640	CAP SCREW	6		M10x25
13	19M10432	SCREW	4		M12x65
14	24M7483	WASHER	4		
15	LCA72740	LOCK WASHER		AR	
16	LCA113851	STRIPPER	1		LH
17	LCA113852	STRIPPER	1		RH
18	LCA107272	TUBE	2		
19	LCA107275	SHEET	1		LH
20	LCA107276	SHEET	1		RH
21	LCA107734	BRACKET	1		LH
22	LCA107735	BRACKET	1		RH
23	LCA107760	BRACKET	1		LH
24	LCA107761	BRACKET	1		RH
25	LCA107770	BRACKET	1		LH
26	LCA107894	BRACKET	1		RH
27	LCA113861	SHEET	1		LH
28	LCA113862	SHEET	1		RH
29	LCA71878	LOCK WASHER	6		

STRIPPER



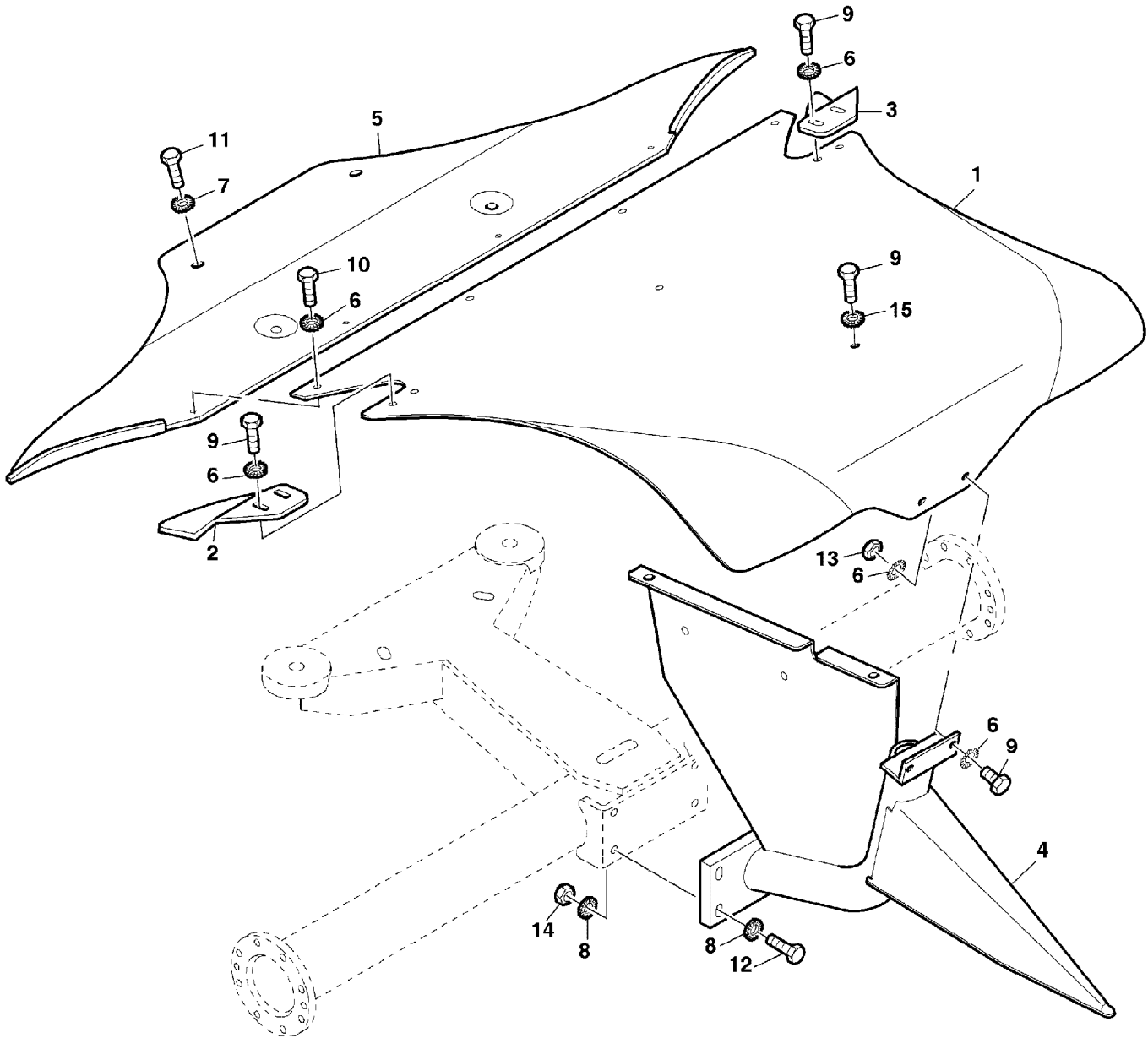
KM001405



## STRIPPER

Item no.	Article no.	Description	Quantity	Serial No.	Remark
1	14M7670	LOCK NUT	AR		M12
2	19M9692	CAP SCREW	AR		M12x45
3	19M9693	CAP SCREW	AR		M16x60
4	LCA107281	STRIPPER	1		LH
5	LCA113427	STRIPPER	1		LH
6	LCA113428	STRIPPER	1		RH
7	LCA72740	LOCK WASHER	AR		
8	LCA89595	LOCK WASHER	6		
9	LCA93738	SHIM	AR		TK = 0,5
10	LCA93739	WASHER	AR		TK = 1,0
11	LCA95382	STRIPPER	1		LH
12	LCA95383	STRIPPER	1		RH
13	LCA96462	BUSHING	2		
14	LCA107282	STRIPPER	1		RH
15	24M7493	WASHER	6		
16	19M9660	CAP SCREW	4		M16x50
17	19M9648	CAP SCREW	2		M12x30
18	LCA97959	SOLID SHIM	AR		TK = 1,0

Centre table

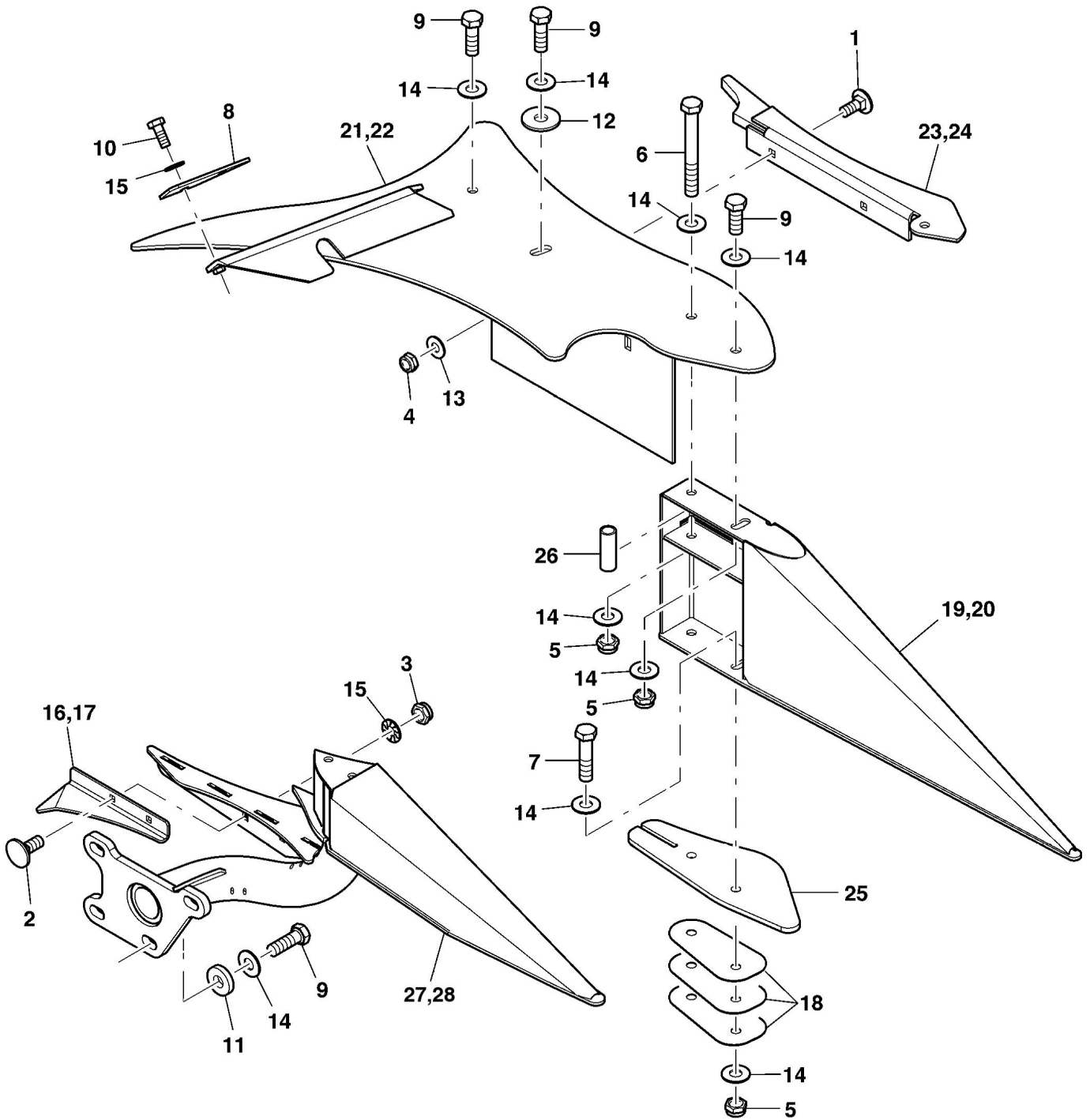


KM001106

## Centre table

Item no.	Article no.	Description	Quantity	Serial No.	Remark
1	97980	SHIELD	1		
2	LCA95274	ROTATING SCRAPER	1		
3	LCA95273	ROTATING SCRAPER	1		
4	97981	GATHERER POINT	1		
5	117172	STRIPPER	1		
6	24M7482	WASHER	14		
7	LCA72740	LOCK WASHER	4		
8	LCA71878	LOCK WASHER	8		
9	19M9683	CAP SCREW	8		M8x25
10	19M9680	CAP SCREW	4		M8x12
11	19M9649	CAP SCREW	4		M12x35
12	19M9640	CAP SCREW	4		M10x30
13	14M7624	NUT	2		M8
14	14M7614	NUT	4		M10
15	24M7482	WASHER	2		

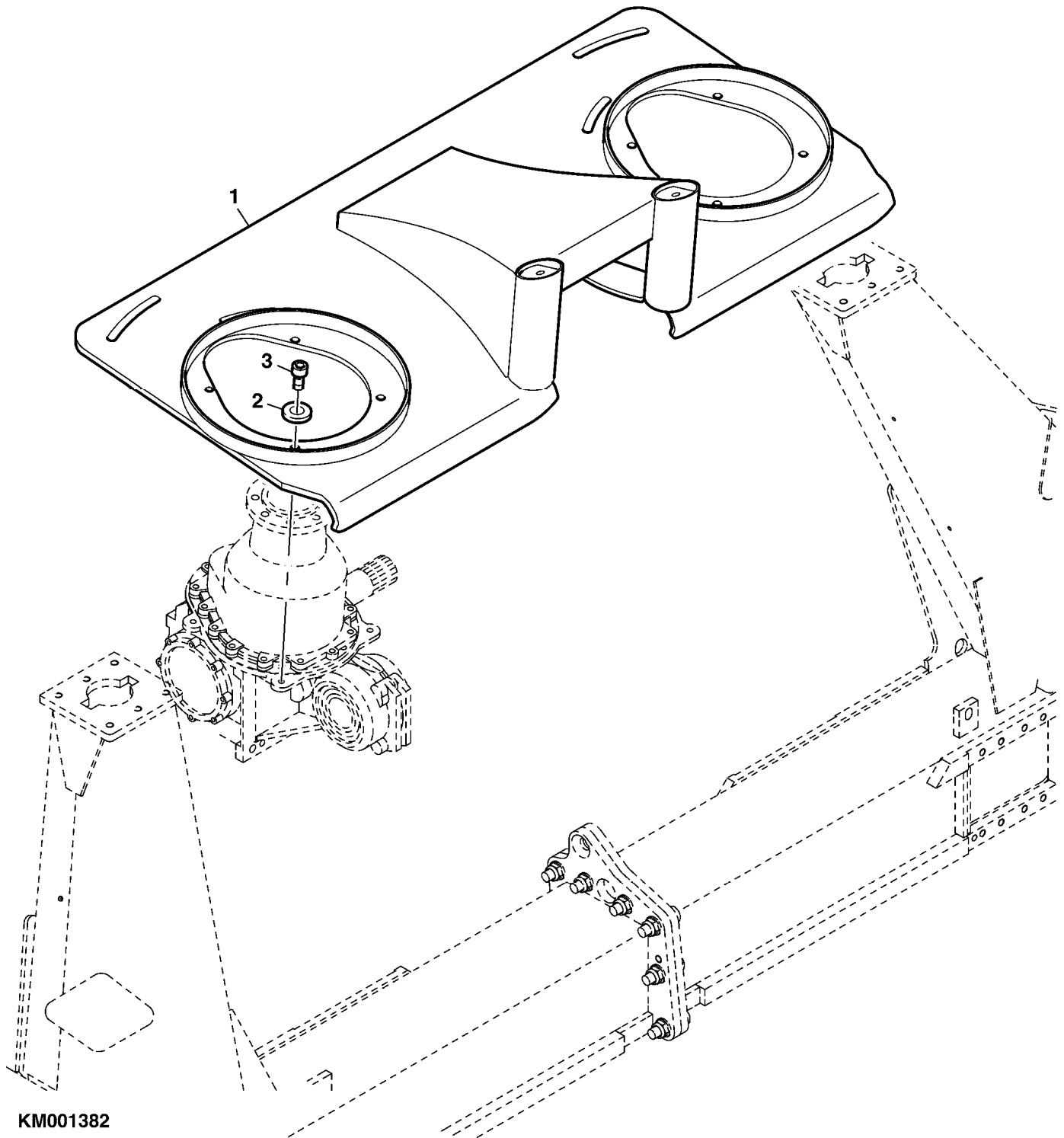
Separator tips



KM001519

## Separator tips

Item no.	Article no.	Description	Quantity	Serial No.	Remark
1	03M7403	BOLT	4		M10x25
2	03M7404	BOLT	4		M8x20
3	14M7659	NUT	4		M8
4	14M7660	NUT	4		M10
5	14M7670	LOCK NUT	8		M12
6	19M9593	CAP SCREW	2		M12x100
7	19M9599	CAP SCREW	4		M12x50
8	LCA109534	GATHERER POINT	2		
9	19M9649	CAP SCREW	14		M12x35
10	19M9682	CAP SCREW	4		M8x20
11	24M7478	WASHER	8		
12	24M7493	WASHER	2		
13	LCA71878	LOCK WASHER	4		
14	LCA72740	LOCK WASHER	28		
15	LCA84221	LOCK WASHER	8		
16	LCA98914	GUIDE	1		LH
17	LCA98915	GUIDE	1		RH
18	LCA107874	SHEET	6		
19	114521	114521	1		LH
20	114522	114522	1		RH
21	113869	113869	1		LH
22	113870	113870	1		RH
23	LCA109500	SUPPORT	1		LH
24	LCA109501	SUPPORT	1		RH
25	LCA109505	SHEET	2		
26	LCA109506	TUBE	2		
27	109530	GATHERER POINT	1		LH
28	109531	GATHERER POINT	1		RH

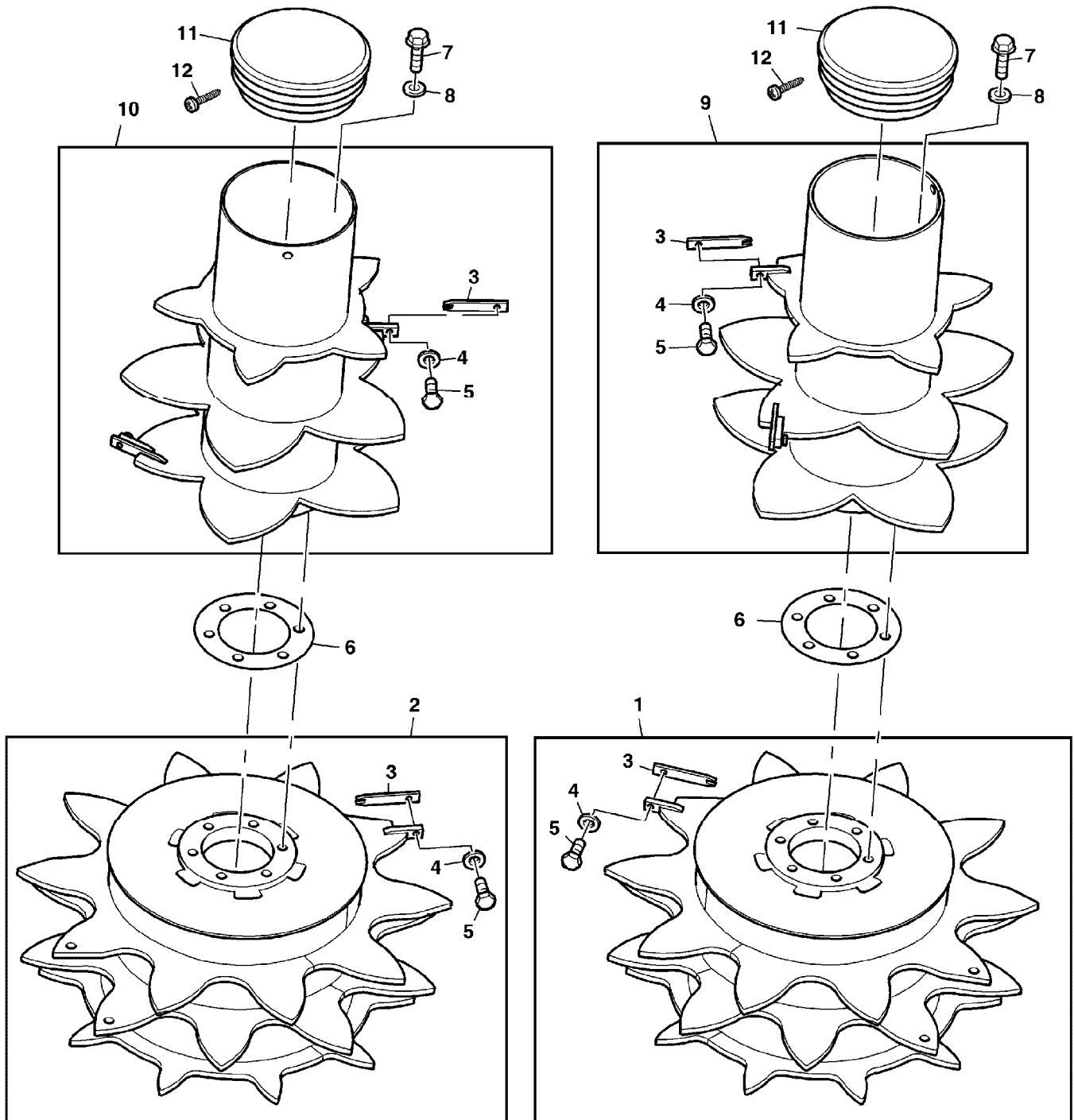


KM001382

## BOTTOM

Item no.	Article no.	Description	Quantity	Serial No.	Remark
1	95894	BOTTOM	1		
2	LCA71878	LOCK WASHER	8		
3	19M10047	SCREW	8		M8x16

Conveyor drums



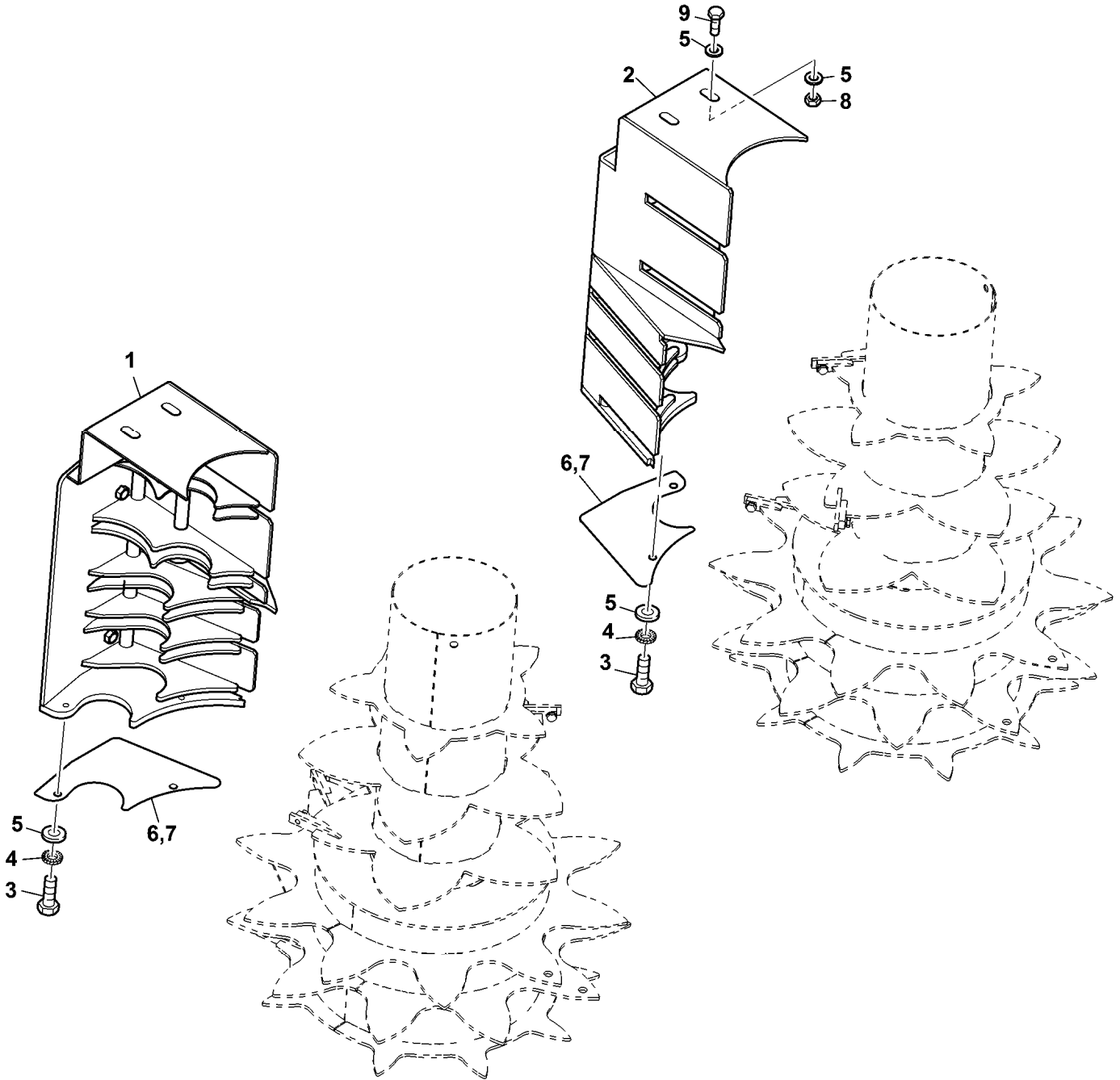
KM000492



## Conveyor drums

Item no.	Article no.	Description	Quantity	Serial No.	Remark
1	96031	DRUM	1		RH
2	96030	DRUM	1		LH
3	LCA92911	ROTATING SCRAPER	12		
4	LCA03734	LOCK WASHER	12		
5	19M10030	CAP SCREW	12		M8x18
6	LCA96357	SHIM	AR		
7	19M9601	CAP SCREW	12		M12x60
8	LCA72740	LOCK WASHER	12		
9	96022	DRUM	1		RH
10	96021	DRUM	1		LH
11	LCA96282	PLUG	2		
12	LCA95500	SCREW	4		

Wiper – conveyor drums

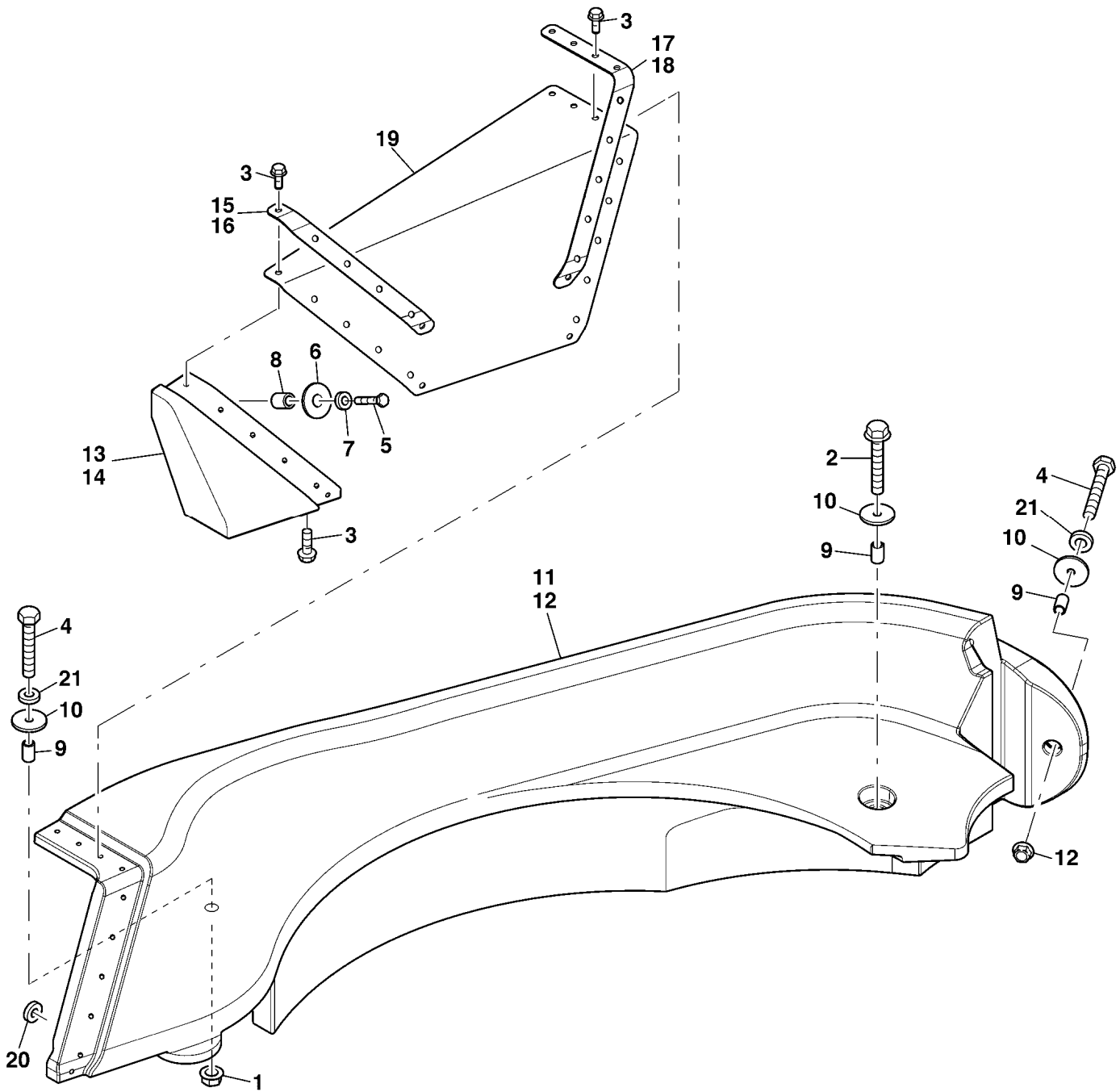


KM001392

**Rotary Harvesting Unit****Wiper – conveyor drums**

Item no.	Article no.	Description	Quantity	Serial No.	Remark
1	106336	STRIPPER	1		RH
2	106335	STRIPPER	1		LH
3	19M9638	CAP SCREW	4		M10x20
4	LCA71878	LOCK WASHER	4		
5	24M7489	WASHER	4		
6	LCA96358	SHIM	AR		TK = 0,5 mm
7	LCA96359	SHIM	AR		TK = 1,5 mm
8	14M7660	NUT	4		M10
9	19M9640	CAP SCREW	4		M10x30

Protective shield



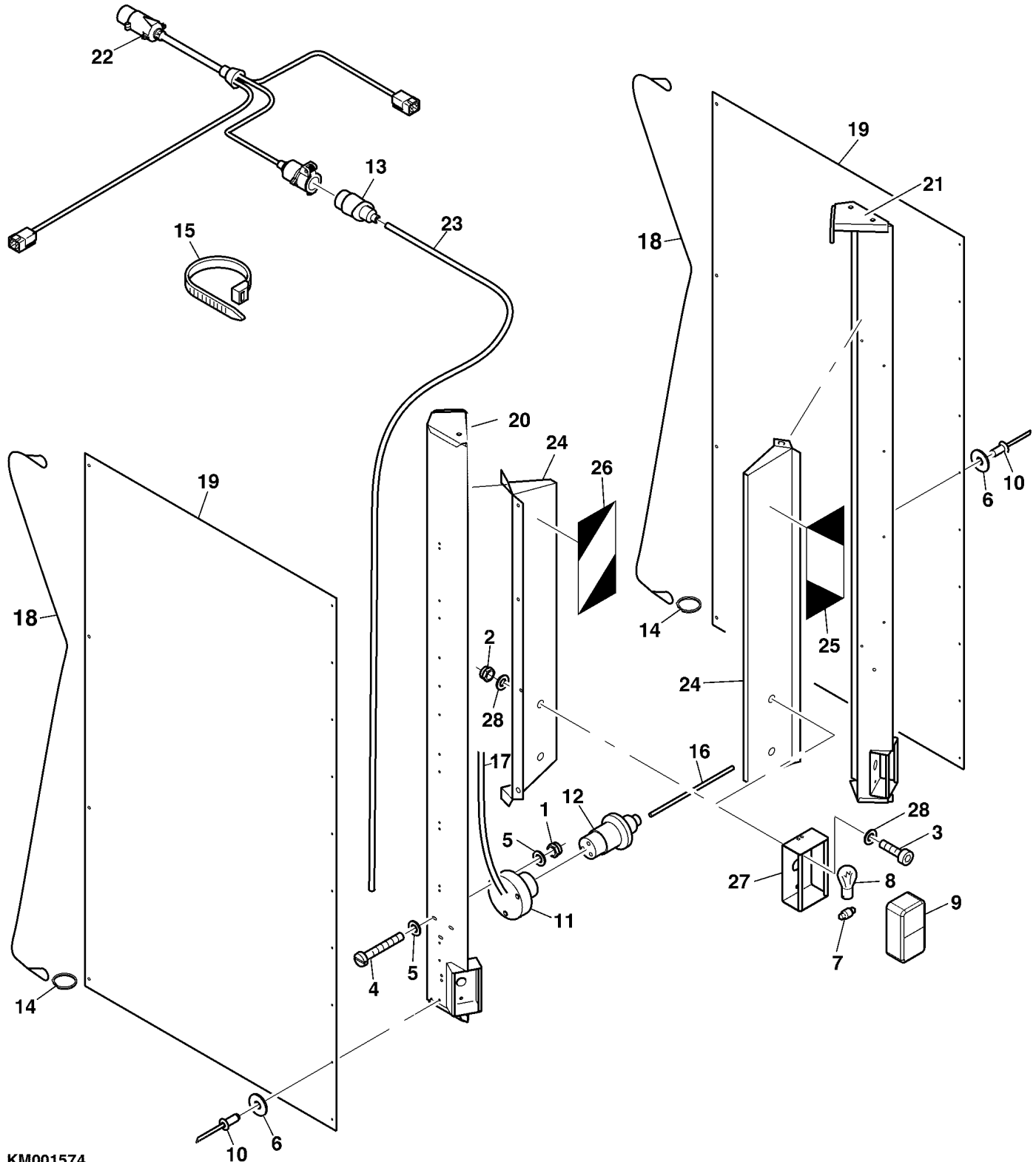
KM001520

## Protective shield

Item no.	Article no.	Description	Quantity	Serial No.	Remark
1	14M7296	Flange Nut	4		M10
2	19M10296	CAP SCREW	2		M12x80
3	19M9261	CAP SCREW	AR		M8x20
4	19M9586	CAP SCREW	4		M10x50
5	19M9587	CAP SCREW	4		M10x55
6	24M7493	WASHER	4		
7	LCA84221	LOCK WASHER	4		
8	LCA85410	BUSHING	4		
9	LCA98335	SPACER	6		
10	LCA107842	WASHER	6		
11	107819	SHIELD	1		LH
12	107820	SHIELD	1		RH
13	107825	SHIELD	1		LH
14	107826	SHIELD	1		RH
15	LCA107836	SHEET	1		LH
16	LCA107837	SHEET	1		RH
17	LCA107838	SHEET	1		LH
18	LCA107839	SHEET	1		RH
19	LCA107840	LIMIT CURTAIN	2		
20	24M7508	WASHER	2		
21	24M7488	WASHER	4		

Rotary Harvesting Unit

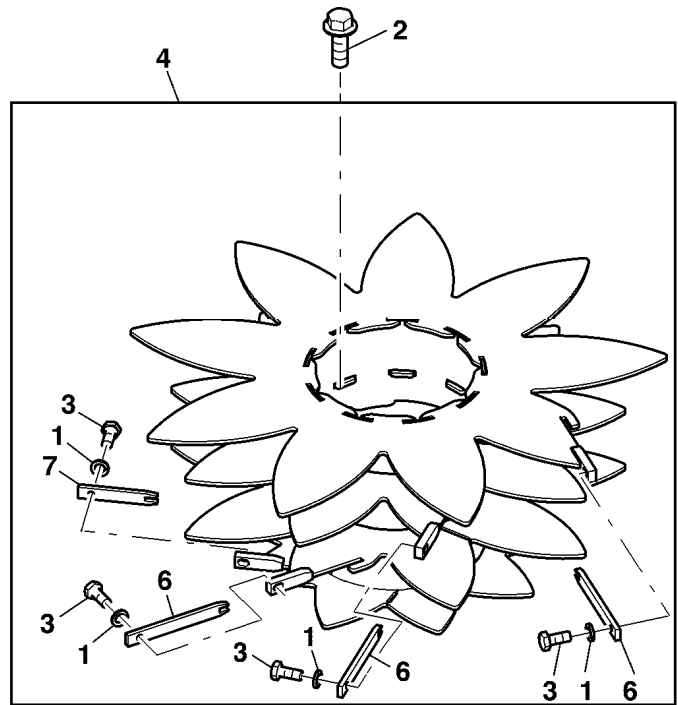
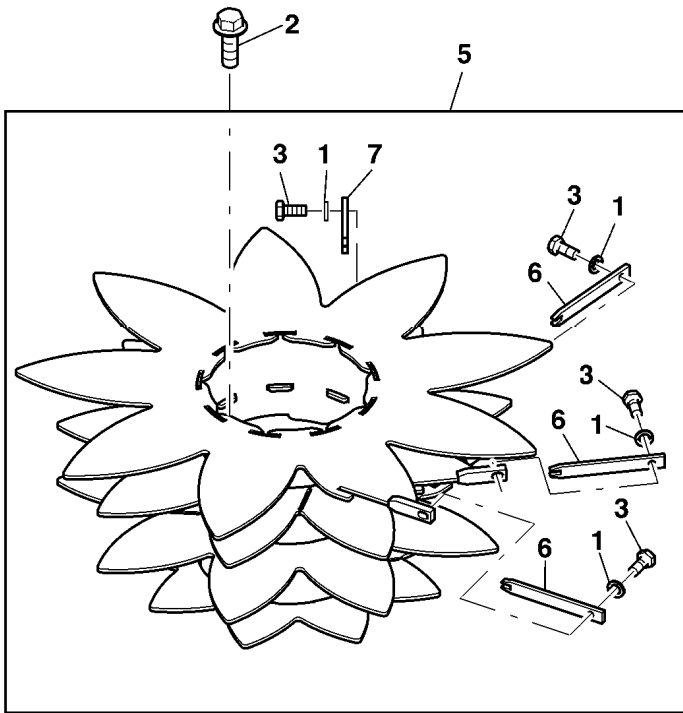
KM001574



KM001574

Item no.	Article no.	Description	Quantity	Serial No.	Remark
1	14M7663	NUT	3		M5
2	14M7671	NUT	4		M4
3	19M9473	BOLT	4		M4x20
4	21M7617	SCREW	3		M5x35
5	24M7502	WASHER	6		
6	24M7503	WASHER	16		
7	57M6274	LAMP	2		
8	57M7014	LAMP	2		
9	AZ42982	LAMP	2		
10	LCA83396	RIVET	AR		
11	LCA14903	ELEC. CONNECTOR TERMINAL	1		
12	LCA14902	ELEC. CONNECTOR TERMINAL	1		
13	LCA35363	ELEC. CONNECTOR TERMINAL	1		
14	LCA38941	RING	6		
15	LCA44646	TIE BAND	AR		
16	LCA73682	CABLE	1		
17	LCA113574	CABLE	1		
18	LCA90040	ROPE	2		
19	LCA72358	GUARD	2		
20	LCA104672	GUARD	1		RH
21	LCA104671	GUARD	1		LH
22	LCA105088	WIRING HARNESS	1		
23	LCA66387	CABLE	1		
24	LCA113528	LCA113528	2		
25	LCA62402	SAFETY SIGN	3		LH
26	LCA62403	SAFETY SIGN	3		RH
27	LCA113567	LCA113567	2		
28	24M7501	WASHER	8		
.....	LCA113568	LCA113568	1		ASSY

Transverse transport drum



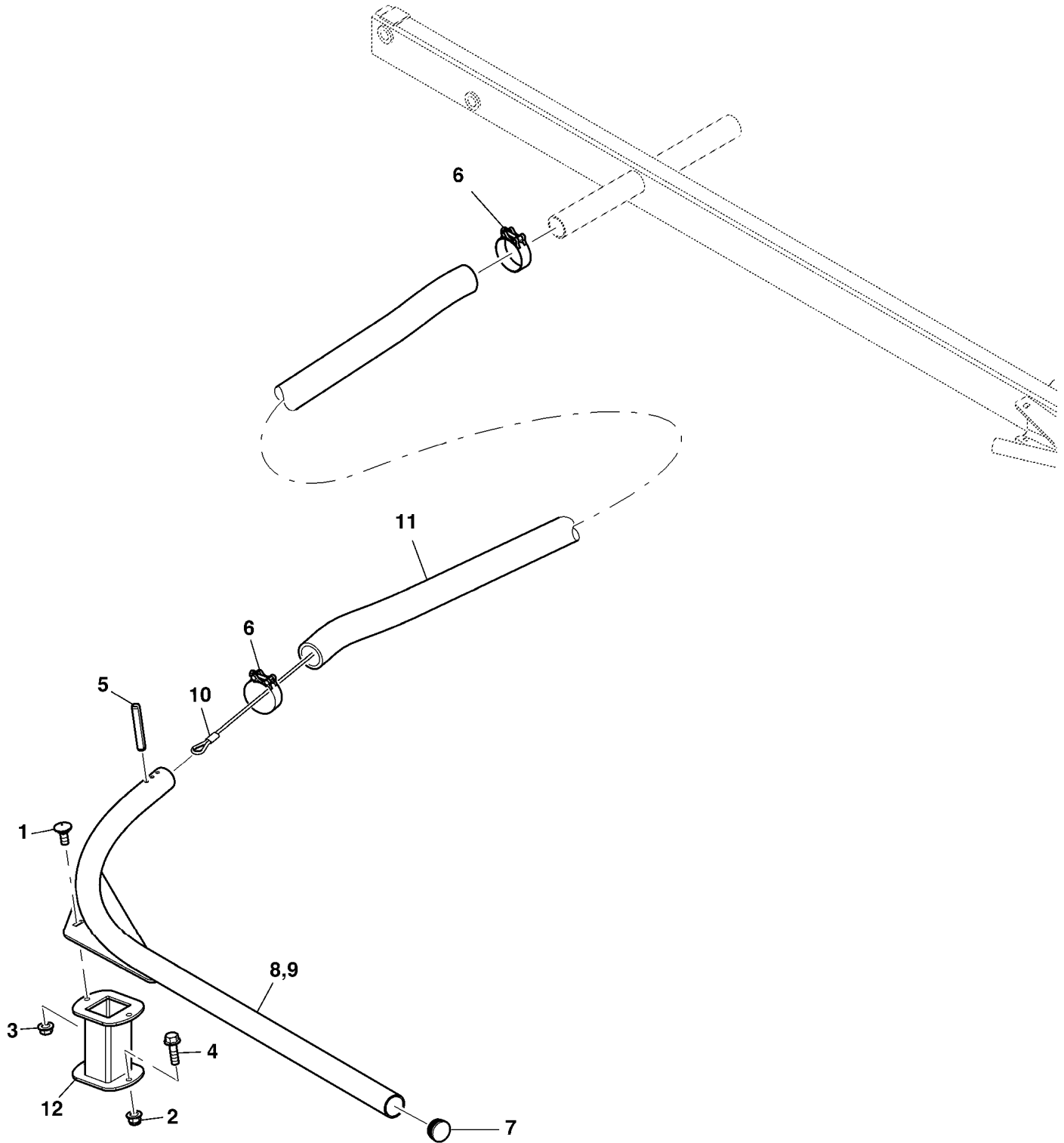
KM001393



**Rotary Harvesting Unit****Transverse transport drum**

Item no.	Article no.	Description	Quantity	Serial No.	Remark
1	LCA03734	LOCK WASHER	8		
2	19M9570	CAP SCREW	12		
3	19M10030	CAP SCREW	8		M8x18
4	113397	DRUM	1		LH
5	113398	DRUM	1		RH
6	LCA92910	ROTATING SCRAPER	6		
7	LCA92911	ROTATING SCRAPER	2		

Pressing bracket

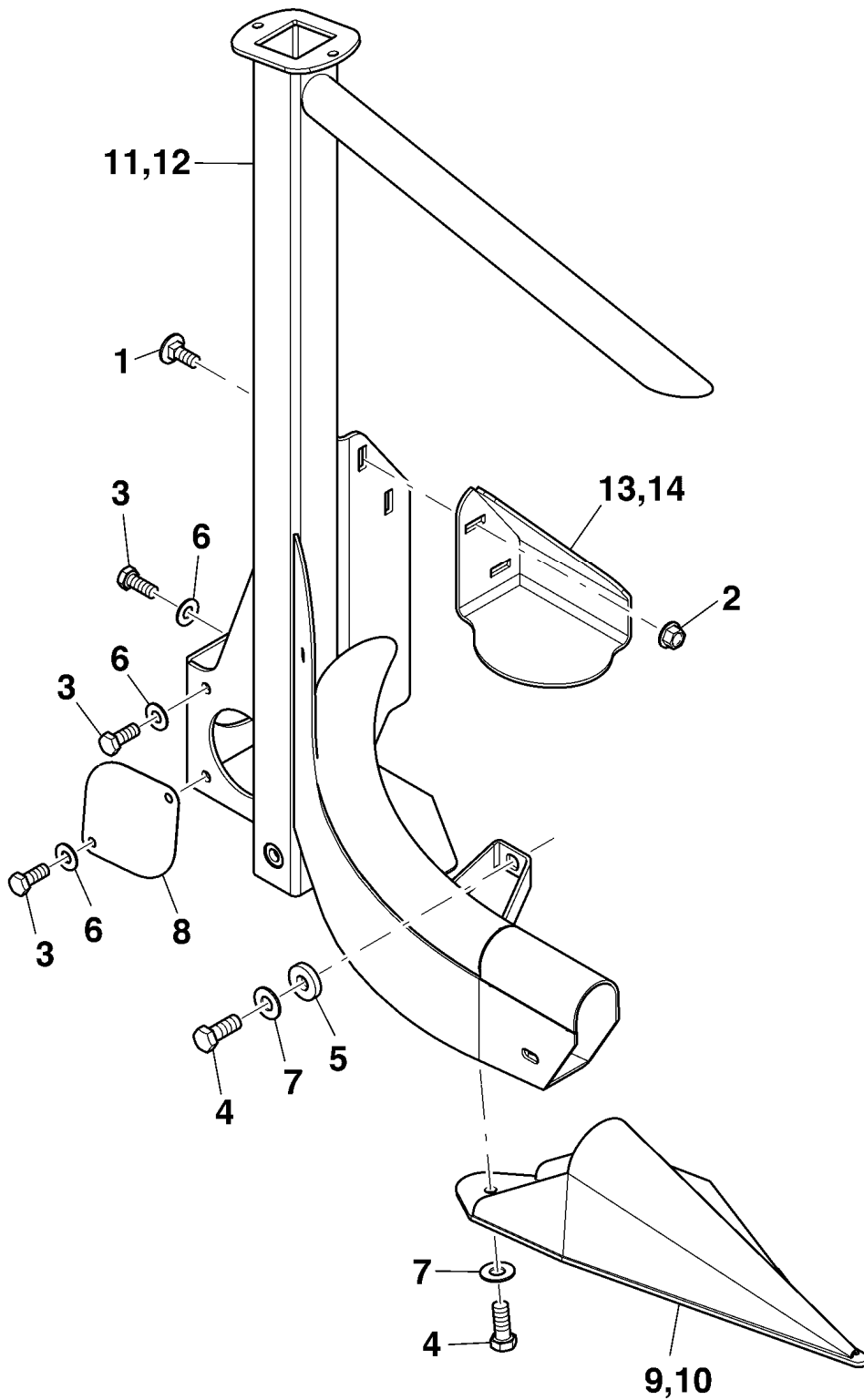


KM001394

## Pressing bracket

Item no.	Article no.	Description	Quantity	Serial No.	Remark
1	03M7405	BOLT	4		M10x25
2	14M7400	LOCK NUT	4		M10
3	14M7296	Flange Nut	4		M10
4	19M7835	CAP SCREW	4		M10x35
5	34M7312	SPRING PIN	2		
6	LCA95162	CLAMP	4		
7	LCA98776	PLUG	2		
8	LCA111313	BAIL	1		LH
9	LCA111314	BAIL	1		RH
10	LCA111324	ROPE	1		
11	LCA113867	HOSE	2		
12	LCA111982	GUIDE	2	Up to SN 128911	
12	LCA117571	GUIDE	2	From SN 128912	

Crop lifter

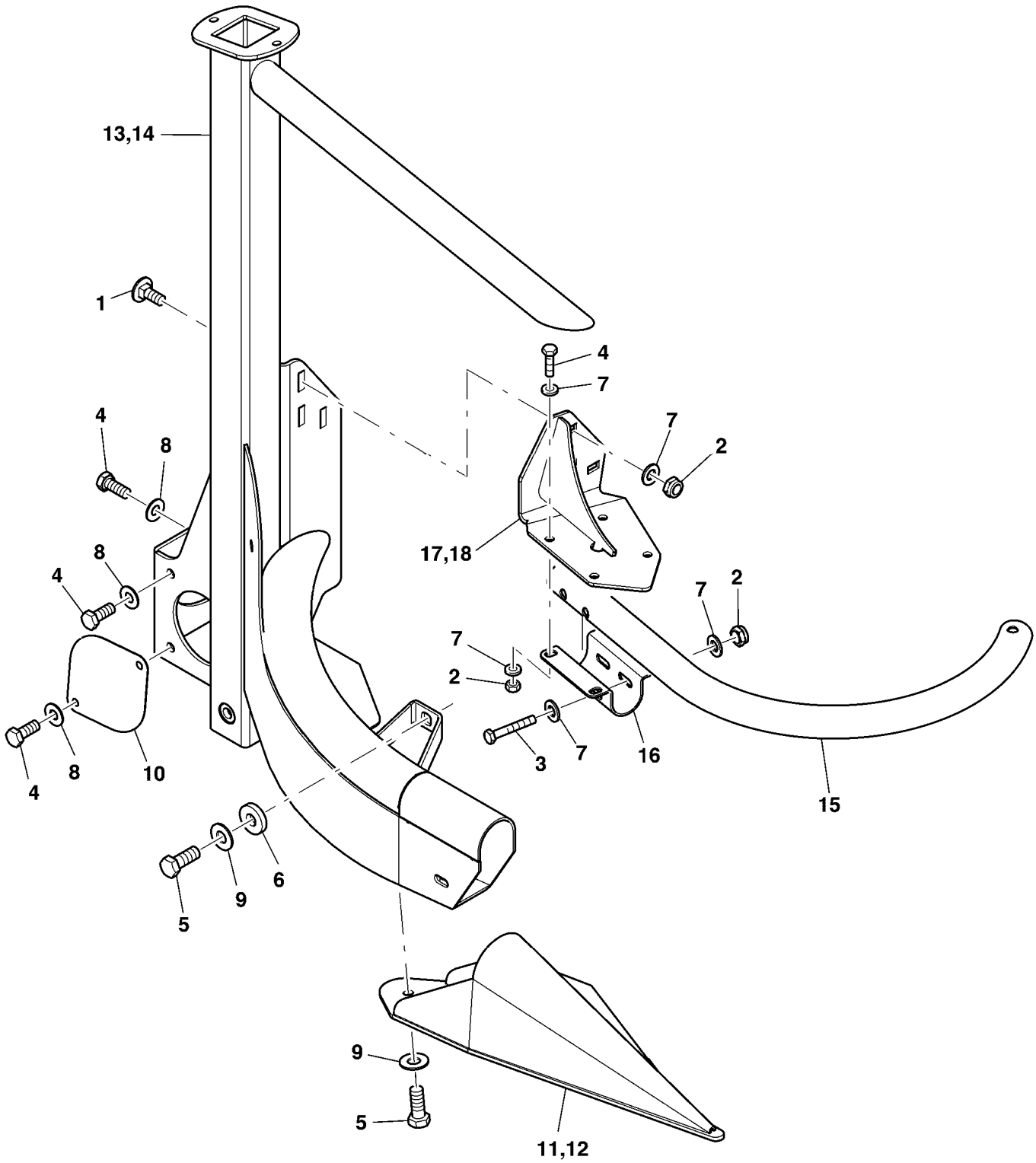


KM001400

## Crop lifter

Item no.	Article no.	Description	Quantity	Serial No.	Remark
1	03M7405	BOLT	4	Up to SN 128911	M10x25
2	14M7296	Flange Nut	4	Up to SN 128911	M10
3	19M9639	CAP SCREW	12	Up to SN 128911	M10x25
4	19M9648	CAP SCREW	6	Up to SN 128911	M12x30
5	24M7478	WASHER	2	Up to SN 128911	
6	LCA71878	LOCK WASHER	12	Up to SN 128911	
7	LCA72740	LOCK WASHER	6	Up to SN 128911	
8	LCA74245	COVER	2	Up to SN 128911	
9	102931	GATHERER POINT	1	Up to SN 128911	LH
10	102932	GATHERER POINT	1	Up to SN 128911	RH
11	113863	Crop lifter	1	Up to SN 128911	LH
12	113864	Crop lifter	1	Up to SN 128911	RH
13	LCA111326	SHEET	1	Up to SN 128911	LH
14	LCA111327	SHEET	1	Up to SN 128911	RH

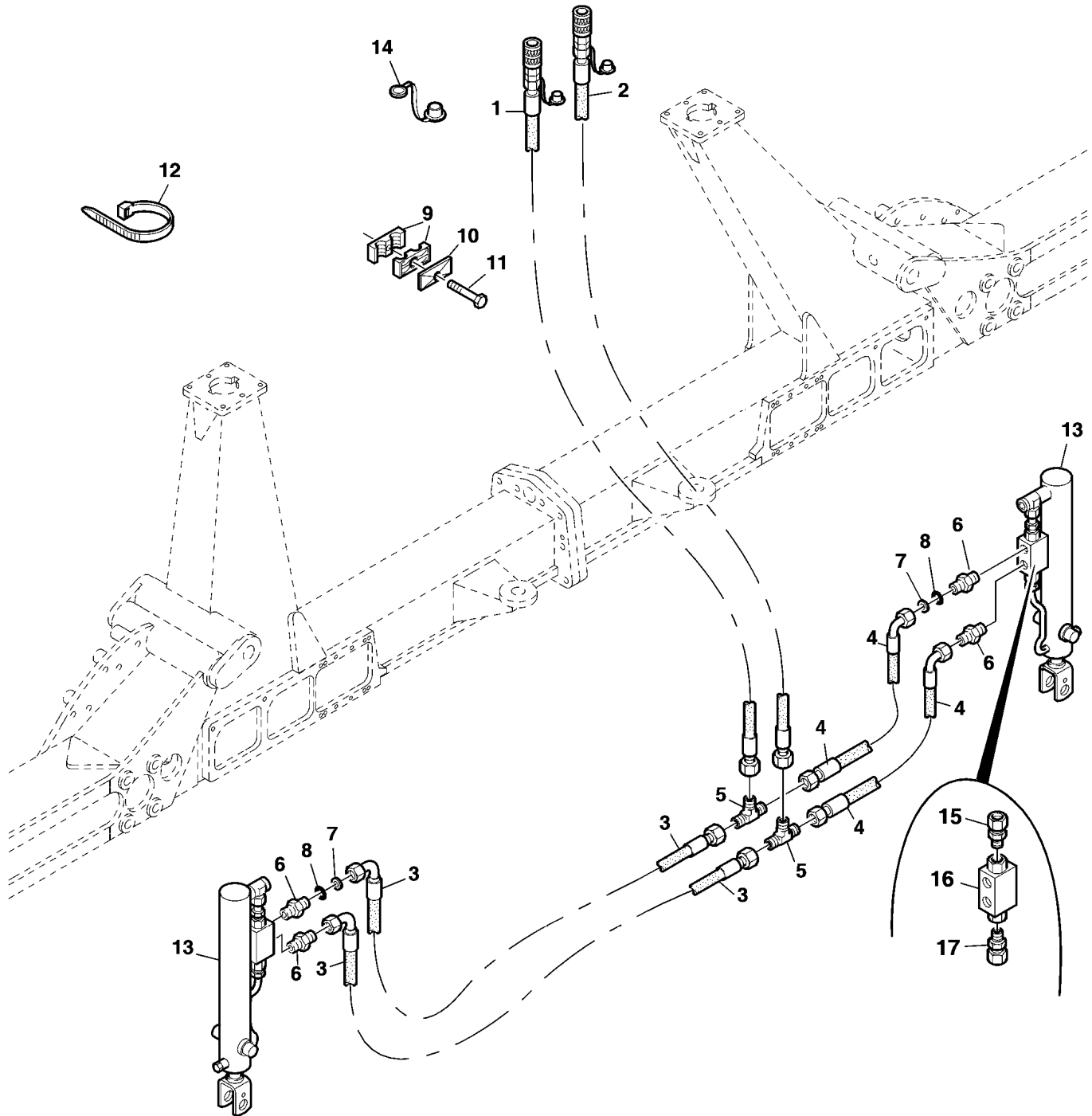
Crop lifter



KM001677

## Crop lifter

Item no.	Article no.	Description	Quantity	Serial No.	Remark
1	03M7405	BOLT	6	From SN 128912	M10x25
2	14M7660	NUT	18	From SN 128912	M10
3	19M9589	CAP SCREW	4	From SN 128912	M10x65
4	19M9638	CAP SCREW	20	From SN 128912	M10x20
5	19M9648	CAP SCREW	6	From SN 128912	M12x30
6	24M7478	WASHER	2	From SN 128912	
7	24M7488	WASHER	30	From SN 128912	
8	LCA71878	LOCK WASHER	12	From SN 128912	
9	LCA72740	LOCK WASHER	6	From SN 128912	
10	LCA74245	COVER	2	From SN 128912	
11	102931	GATHERER POINT	1	From SN 128912	LH
12	102932	GATHERER POINT	1	From SN 128912	RH
13	114576	CROP LIFTER	1	From SN 128912	LH
14	114577	CROP LIFTER	1	From SN 128912	RH
15	114593	TUBE	2	From SN 128912	
16	LCA114595	CLAMP	2	From SN 128912	
17	115188	RETAINER	1	From SN 128912	LH
18	115189	RETAINER	1	From SN 128912	RH
.....	115193	ADAPTER KIT	1		ASSY



KM001062



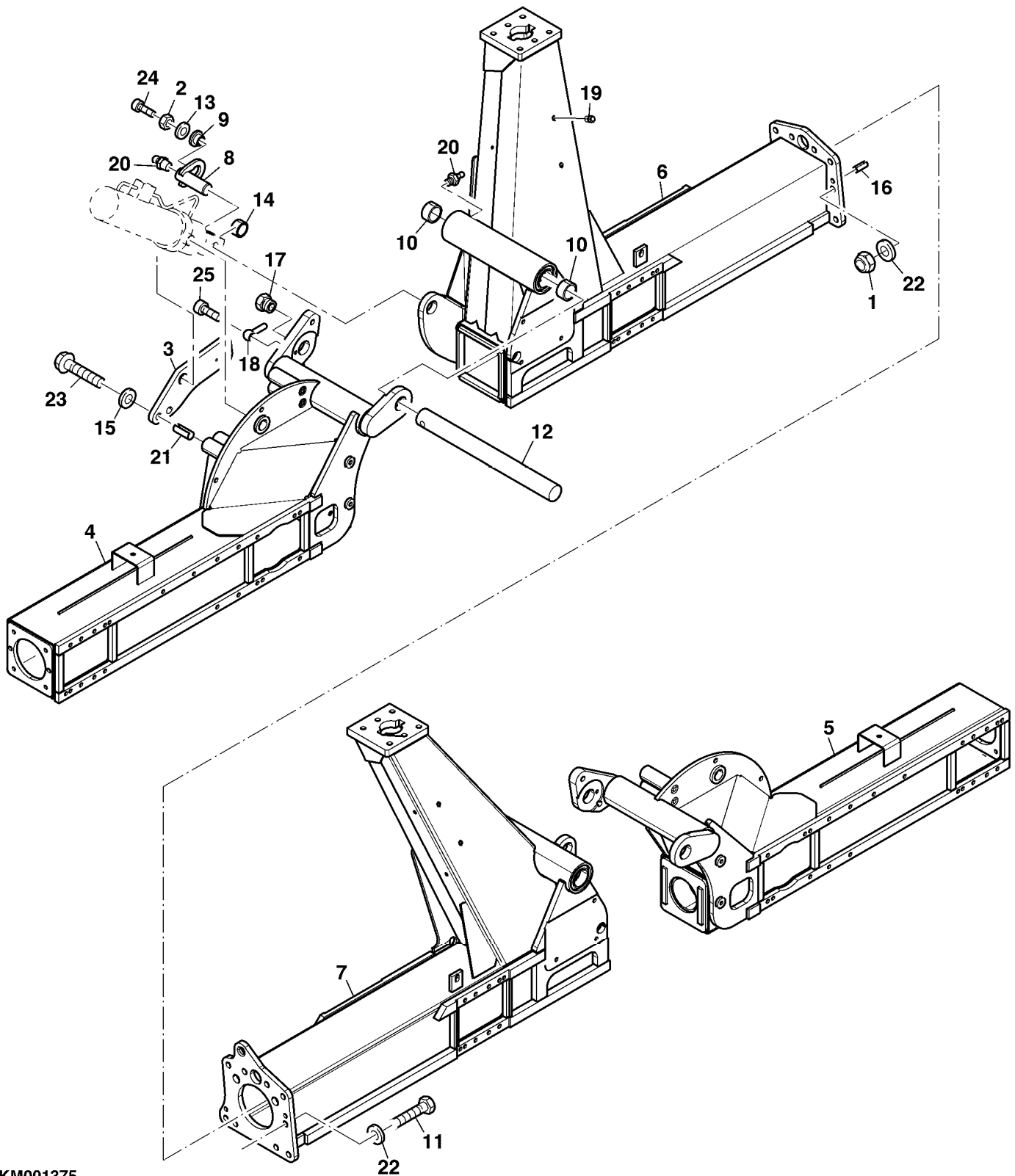
**Rotary Harvesting Unit**

**Hydraulic lifting device**

Item no.	Article no.	Description	Quantity	Serial No.	Remark
1	LCA68473	HYDRAULIC HOSE	1		ROT Claas
1	LCA111589	HYDRAULIC HOSE	1		Claas 496 , 497
2	LCA96490	HYDRAULIC HOSE	1		BLAU Claas
2	LCA111590	HYDRAULIC HOSE	1		Claas 496 , 497
3	LCA88401	HYDRAULIC HOSE	2		
4	LCA84757	HYDRAULIC HOSE	2		
5	LCA70757	UNION FITTING	2		
6	LCA70756	UNION FITTING	4		
7	LCA64956	RESTRICTOR	2		
8	LCA40287	O-RING	2		
9	LCA79185	CLAMP	1		
10	LCA83295	PLATE	1		
11	19M9619	CAP SCREW	1		M6x40
12	LCA44646	TIE BAND	AR		
13	LCA113450	HYDRAULIC CYLINDER	2		
14	LCA68462	DUST SHIELD	1		ROT
14	LCA68463	DUST SHIELD	1		BLAU Claas
15	LCA66910	UNION FITTING	2		
16	LCA67042	VALVE	2		
17	LCA98083	UNION FITTING	2		

Rotary Harvesting Unit

Base frame

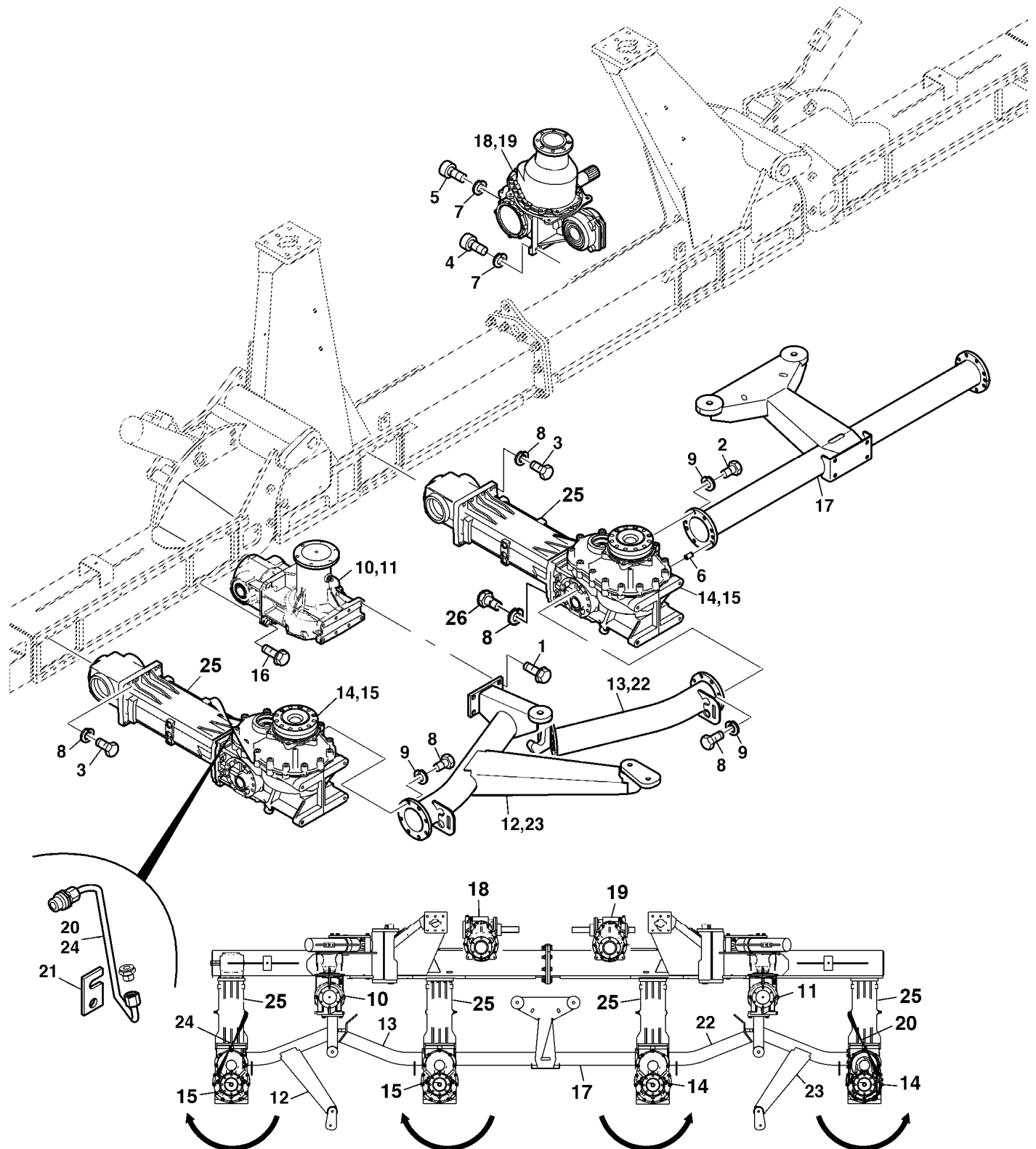


KM001375

## Base frame

Item no.	Article no.	Description	Quantity	Serial No.	Remark
1	14M7661	NUT	7		M16
2	14M7624	NUT	2		M8
3	LCA107193	PLATE	2		
4	LCA107191	Base frame	1		
5	LCA107190	Base frame	1		
6	LCA107189	FRAME	1		
7	LCA107188	FRAME	1		
8	LCA104959	PIN FASTENER	2		
9	LCA104958	BUSHING	2		
10	LCA95892	BUSHING	4		
11	19M9693	CAP SCREW	7		M16x60
12	LCA95708	PIN FASTENER	2		
13	LCA84221	LOCK WASHER	2		
14	LCA80774	BUSHING	2		
15	LCA72740	LOCK WASHER	8		
16	LCA72287	SPRING PIN	6		
17	LCA72096	PLUG	2		
18	LCA61334	PIN FASTENER	2		
19	CC100342	NUT	4		
20	58M7017	LUBRICATION FITTING	4		
21	34M7316	SPRING PIN	8		
22	24M7497	WASHER	14		
23	19M10082	CAP SCREW	8		M12x60
24	19M9951	BOLT	2		M8x40
25	19M9705	BOLT	2		M10x30

Gearbox overview



KM001376

## Gearbox overview

Item no.	Article no.	Description	Quantity	Serial No.	Remark
1	19M9571	Cap Screw	8	Up to SN 128911	M12x30
2	19M9640	CAP SCREW	16	Up to SN 128911	M10x30
3	19M9650	CAP SCREW	AR	Up to SN 128911	M12x40
4	19M9714	BOLT	6	Up to SN 128911	M12x35
5	19M9715	BOLT	2	Up to SN 128911	M12x40
6	34M7300	SPRING PIN	4	Up to SN 128911	
7	LCA03356	LOCK WASHER	AR	Up to SN 128911	
8	LCA04201	LOCK WASHER	AR	Up to SN 128911	
9	LCA04218	LOCK WASHER	AR	Up to SN 128911	
10	LCA109418	TRANSMISSION	1	Up to SN 128911	
11	LCA109419	TRANSMISSION	1	Up to SN 128911	
12	LCA109460	BRACKET	1	Up to SN 128911	
13	LCA109473	BRACKET	1	Up to SN 128911	
14	LCA91537	TRANSMISSION	2	Up to SN 128911	
15	LCA91538	TRANSMISSION	2	Up to SN 128911	
16	LCA94907	CAP SCREW	8	Up to SN 128911	
17	LCA96003	TUBE	1	Up to SN 128911	
18	LCA98487	TRANSMISSION	1	Up to SN 128911	
19	LCA98488	TRANSMISSION	1	Up to SN 128911	
20	LCA110872	LINE	1	Up to SN 128911	LH
21	LCA110865	SHEET	2	Up to SN 128911	
22	LCA109472	BRACKET	1	Up to SN 128911	
23	LCA109459	BRACKET	1	Up to SN 128911	
24	LCA110873	LINE	1	Up to SN 128911	RH
25	LCA91540	TRANSMISSION	4	Up to SN 128911	
26	19M9692	CAP SCREW	AR	Up to SN 128911	M12x45

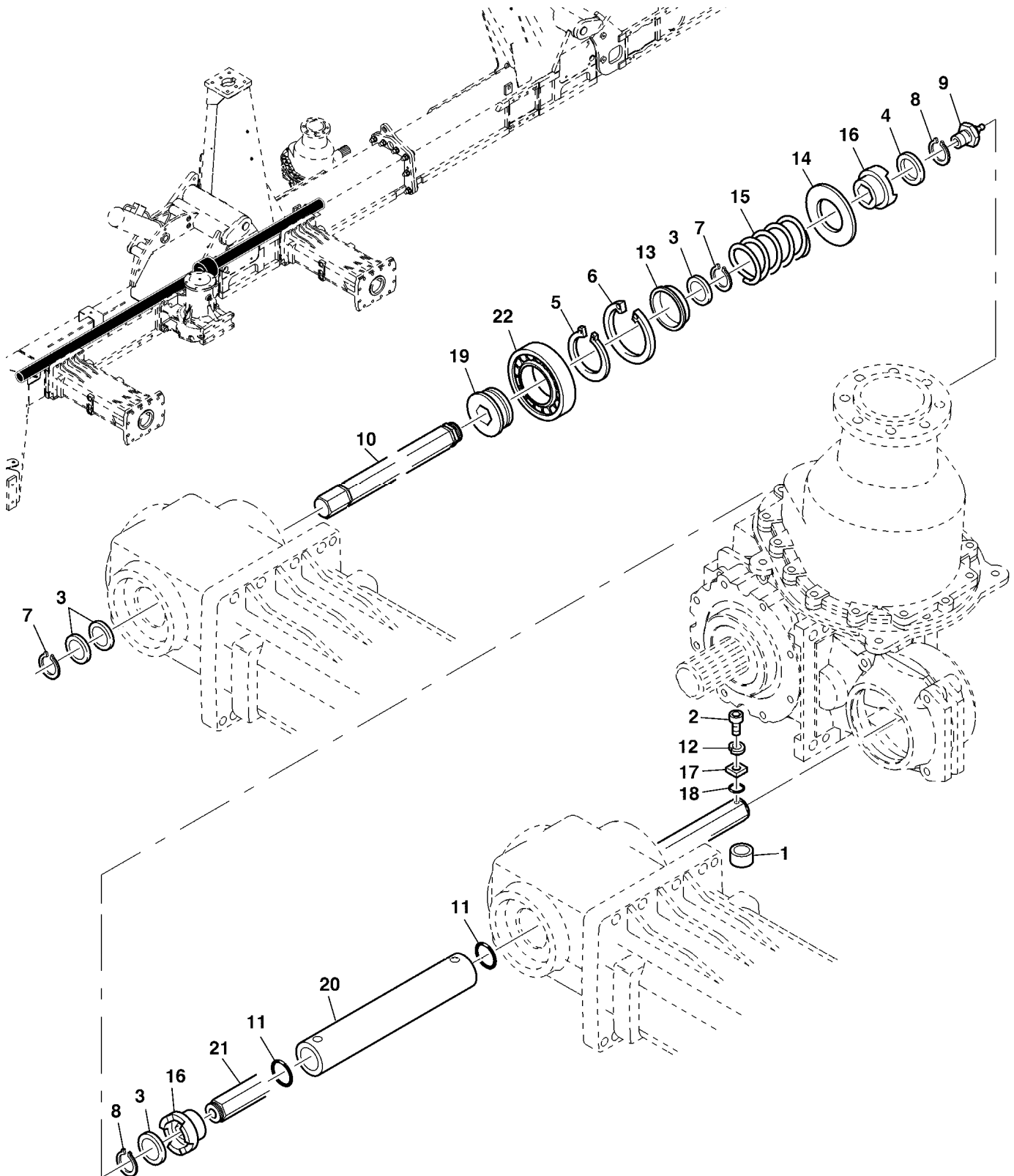


## Gearbox overview

Item no.	Article no.	Description	Quantity	Serial No.	Remark
1	19M9571	Cap Screw	8	From SN 128912	M12x30
2	19M9640	CAP SCREW	16	From SN 128912	M10x30
3	19M9650	CAP SCREW	AR	From SN 128912	M12x40
4	19M9714	BOLT	6	From SN 128912	M12x35
5	19M9715	BOLT	2	From SN 128912	M12x40
6	34M7300	SPRING PIN	4	From SN 128912	
7	LCA03356	LOCK WASHER	AR	From SN 128912	
8	LCA04201	LOCK WASHER	AR	From SN 128912	
9	LCA04218	LOCK WASHER	AR	From SN 128912	
10	LCA109418	TRANSMISSION	1	From SN 128912	
11	LCA109419	TRANSMISSION	1	From SN 128912	
12	LCA113263	BRACKET	1	From SN 128912	
13	LCA113268	BRACKET	1	From SN 128912	
14	LCA106907	TRANSMISSION	2	From SN 128912	
15	LCA106906	TRANSMISSION	2	From SN 128912	
16	LCA94907	CAP SCREW	8	From SN 128912	
17	LCA106984	BRACKET	1	From SN 128912	
18	LCA98487	TRANSMISSION	1	From SN 128912	
19	LCA98488	TRANSMISSION	1	From SN 128912	
20	19M9585	CAP SCREW	1	From SN 128912	M10x45
21	LCA106908	TRANSMISSION	2	From SN 128912	
22	LCA113267	BRACKET	1	From SN 128912	
23	LCA113262	BRACKET	1	From SN 128912	

Rotary Harvesting Unit

Drive shaft



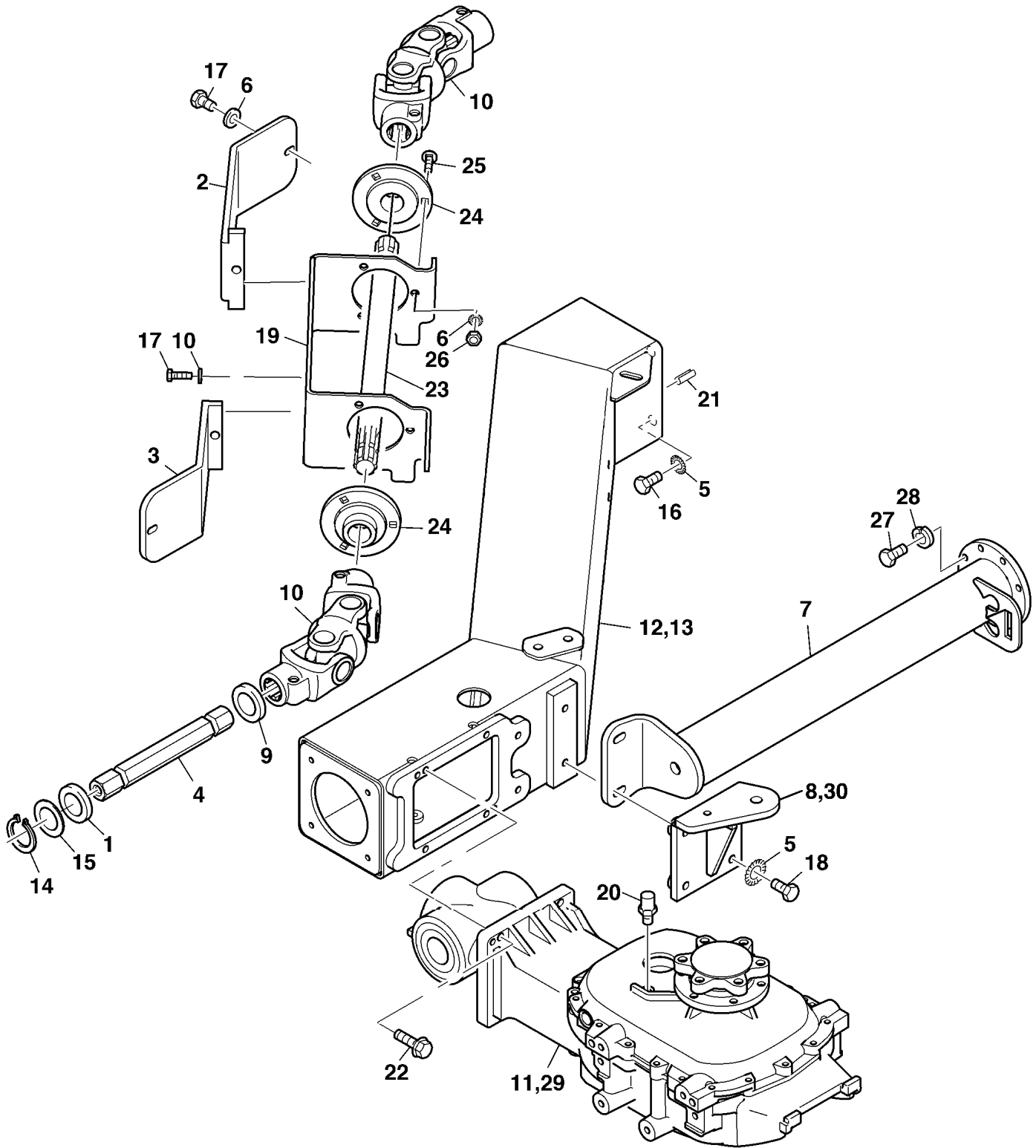
KM001377



## Drive shaft

Item no.	Article no.	Description	Quantity	Serial No.	Remark
1	15M7090	FITTING PLUG	2		
2	19M9704	BOLT	2		M10x25
3	24M3535	SHIM	AR		
4	24M7536	WASHER	AR		
5	40M1841	SNAP RING	2		
6	40M1873	SNAP RING	2		
7	40M7012	SNAP RING	2		
8	40M7200	SNAP RING	2		
9	LCA98300	LUBRICATION FITTING	2		
10	LCA107165	SHAFT	2		
11	LCA32029	O-RING	4		
12	LCA40940	LOCK WASHER	2		
13	LCA62683	DISK	2		
14	LCA62684	DISK	2		
15	LCA64574	COMPRESSION SPRING	2		
16	LCA69654	SHIFT COLLAR	4		
17	LCA69662	STOP	2		
18	LCA71951	O-RING	2		
19	LCA73125	BUSHING	2		
20	LCA85878	TUBE	2		
21	LCA90379	SHAFT	2		
22	LCA64557	BALL BEARING	2		

Outer drive shaft

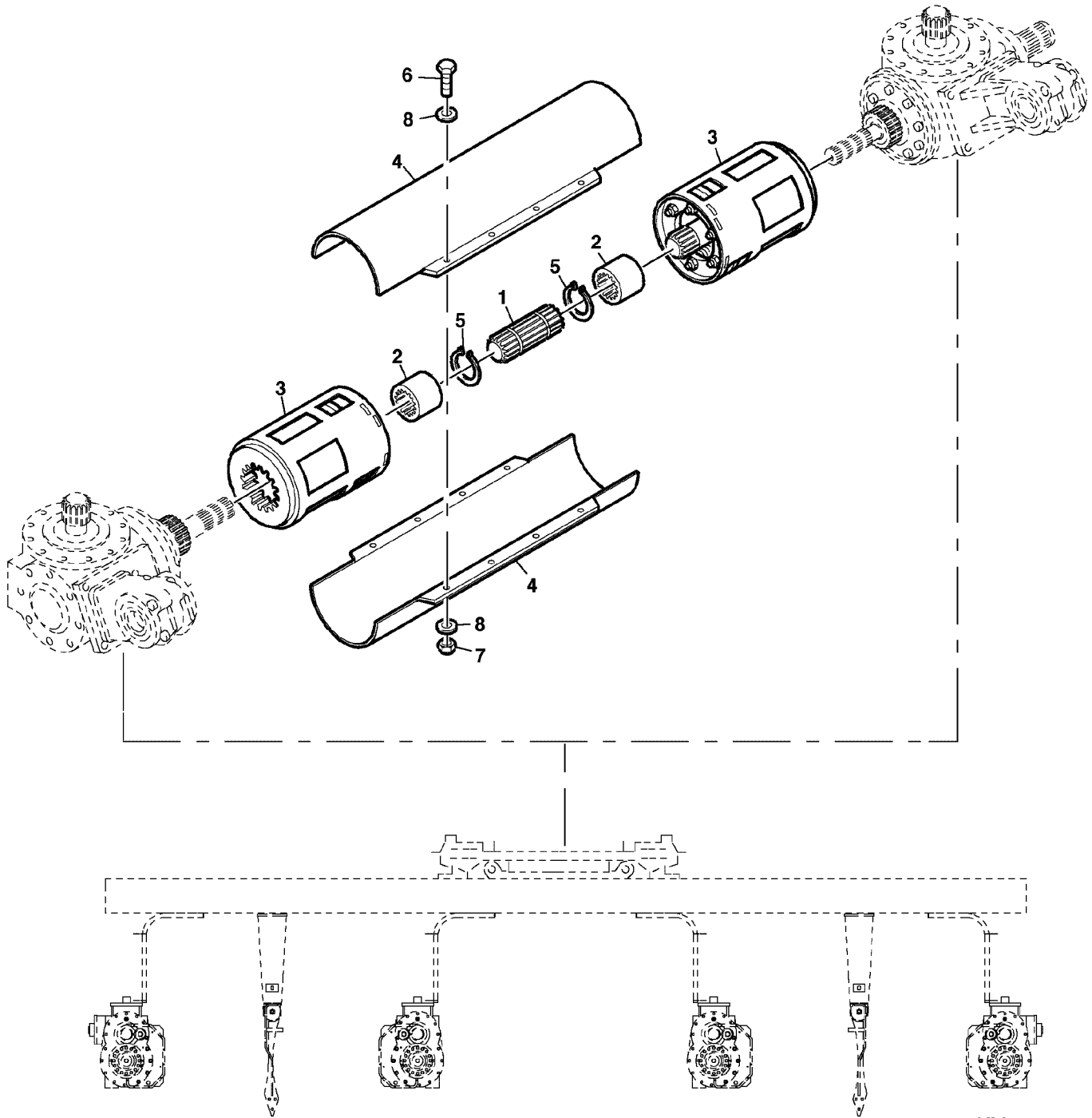


KM001378

## Outer drive shaft

Item no.	Article no.	Description	Quantity	Serial No.	Remark
1	LCA97658	WASHER	2		
2	LCA97653	COVER	2		
3	LCA97652	COVER	2		
4	LCA94133	SHAFT	2		
5	LCA72740	LOCK WASHER	AR		
6	LCA71878	LOCK WASHER	AR		
7	LCA110876	SUPPORT	2	Up to SN 128911	
7	LCA117758	LCA117758	2	From SN 128912	
8	LCA110874	BRACKET	1		
9	LCA110869	RING	2		
10	LCA110868	RETAINER	4		
11	LCA109091	TRANSMISSION	1		RH
12	LCA117569	Base frame	1		RH
13	LCA117568	Base frame	1		LH
14	40M7012	SNAP RING	2		
15	24M3535	SHIM	2		
16	19M9648	CAP SCREW	8		M12x30
17	19M9639	CAP SCREW	AR		M10x25
18	19M9651	CAP SCREW	8		M12x50
19	LCA107970	BRACKET	2		
20	LCA77644	BLEED VALVE	2		
21	LCA72287	SPRING PIN	4		
22	LCA94907	CAP SCREW	8		
23	LCA94863	SHAFT	2		
24	LCA38167	PRESSED FLANGED HOUSING	4		
25	03M7405	BOLT	12		M10x25
26	14M7614	NUT	12		M10
27	19M9640	CAP SCREW	16		M10x30
28	LCA04218	LOCK WASHER	16		
29	LCA109092	TRANSMISSION	1		LH
30	LCA110875	BRACKET	1		

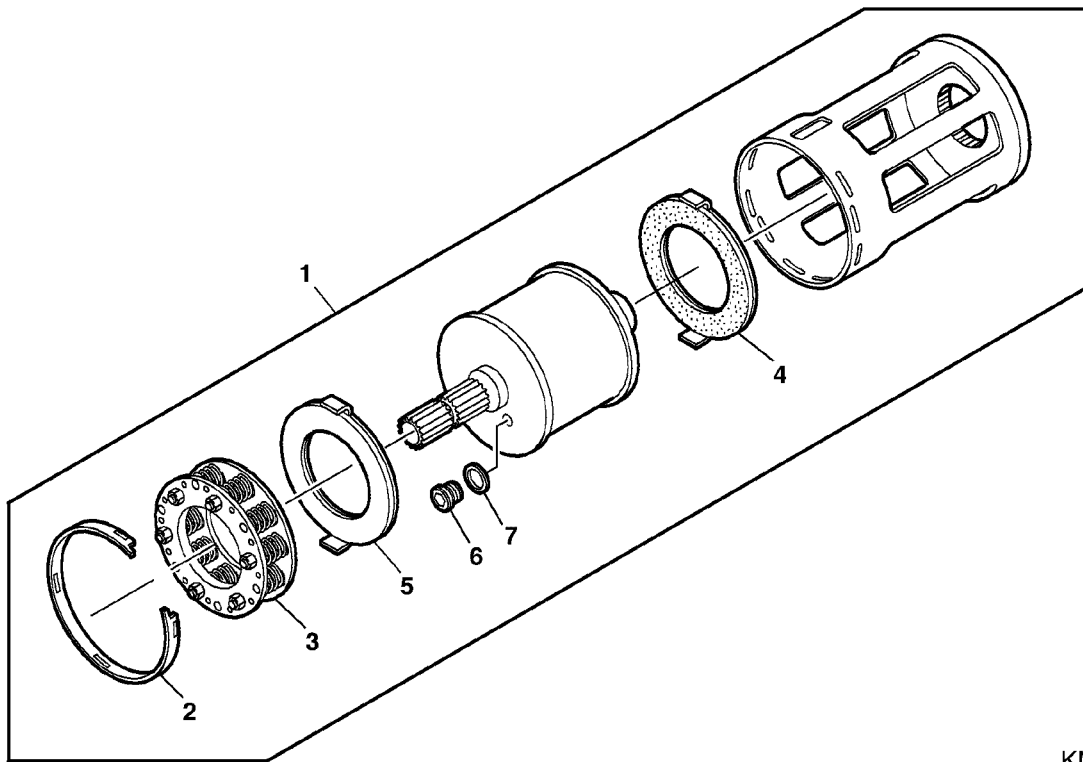
Drive shaft for launch clutches



KM000001

## Drive shaft for launch clutches

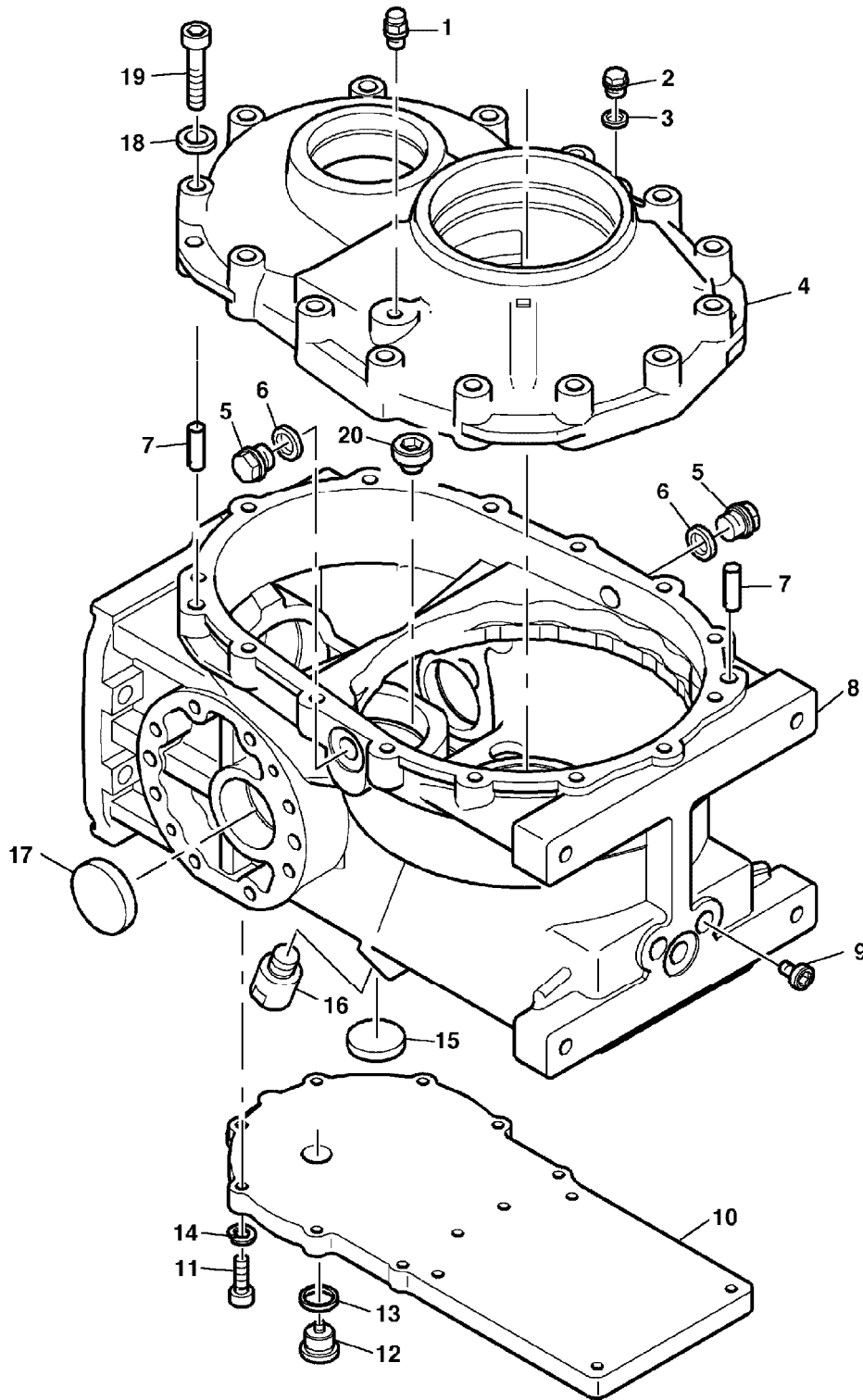
Item no.	Article no.	Description	Quantity	Serial No.	Remark
1	LCA86019	SHAFT	1		
2	LCA86018	BUSHING	2		
3	LCA97136	SLIP CLUTCH	2		
4	LCA78074	GUARD	2		
5	40M7014	SNAP RING	2		
6	19M9682	CAP SCREW	8		M8x20
7	14M7659	NUT	8		M8
8	24M7036	WASHER	16		



KM000007

**Rotary Harvesting Unit****Friction clutch – water cooled**

Item no.	Article no.	Description	Quantity	Serial No.	Remark
1	LCA97136	SLIP CLUTCH	1		
2	LCA55051	RING	1		
3	LCA59045	SPRING ASSEMBLY	1		
4	LCA77875	CLUTCH DISK	1		
5	LCA79570	CLUTCH DISK	1		
6	LCA77872	FITTING PLUG	1		
7	LCA05811	SEALING RING	1		



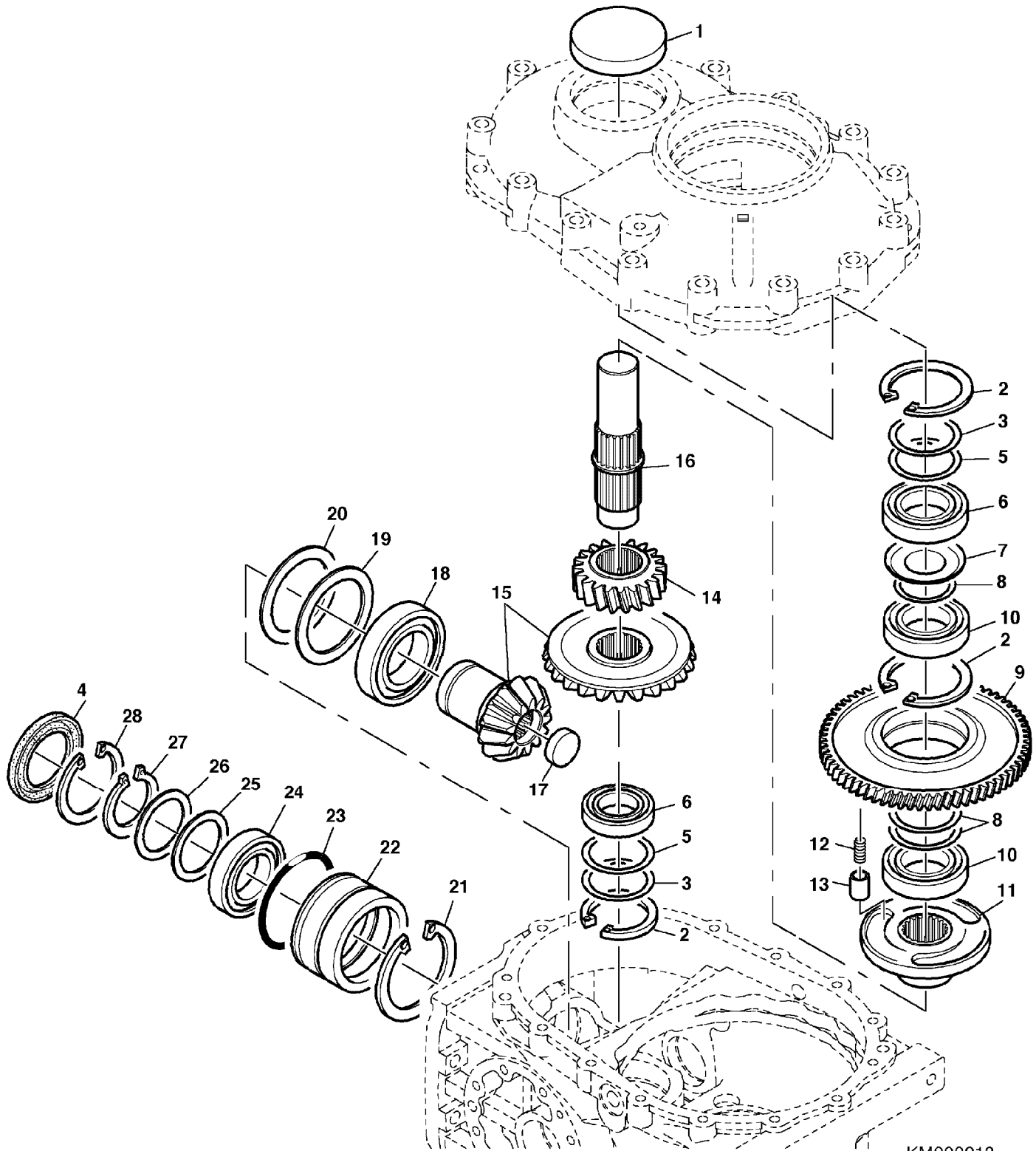
KM000212



## Spur gear for feeding drum

Item no.	Article no.	Description	Quantity	Serial No.	Remark
1	LCA82131	VALVE	1	Up to SN 128911	
2	15M2714	PLUG	1	Up to SN 128911	M10x1
3	50607	SEALING RING	1	Up to SN 128911	
4	LCA91513	HOUSING	1	Up to SN 128911	
5	LCA59408	FITTING PLUG	2	Up to SN 128911	
6	05812	SEALING RING	2	Up to SN 128911	
7	LCA91704	SPRING PIN	4	Up to SN 128911	
8	LCA91729	HOUSING	1	Up to SN 128911	
9	15M7091	FITTING PLUG	1	Up to SN 128911	M16x1,5
10	LCA90419	COVER	1	Up to SN 128911	
11	19M9724	BOLT	10	Up to SN 128911	
12	LCA03435	SEALING RING	1	Up to SN 128911	
13	LCA63274	FITTING PLUG	1	Up to SN 128911	
14	12M7133	LOCK WASHER	14	Up to SN 128911	
15	LCA69387	CAP	2	Up to SN 128911	
16	LCA90418	PIN FASTENER	2	Up to SN 128911	
17	LCA81604	CAP	1	Up to SN 128911	
18	12M7135	LOCK WASHER	14	Up to SN 128911	
19	19M10163	BOLT	14	Up to SN 128911	M10x55
20	15M7021	PLUG	2	Up to SN 128911	M24x1,5

Spur gear for feeding drum

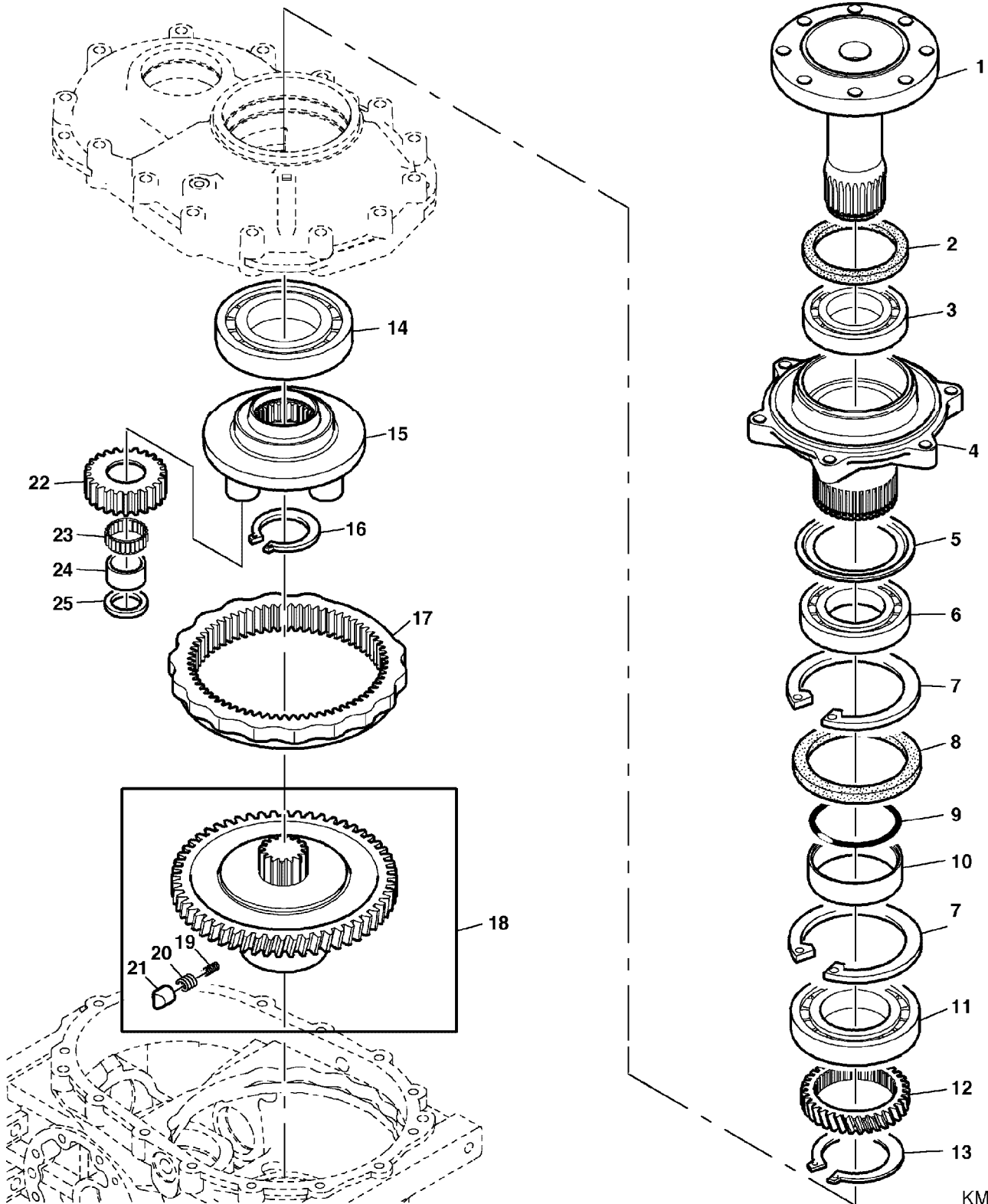


KM000213

## Spur gear for feeding drum

Item no.	Article no.	Description	Quantity	Serial No.	Remark
1	LCA61391	CAP	1	Up to SN 128911	
2	40M7335	SNAP RING	1	Up to SN 128911	
3	LCA91728	WASHER	2	Up to SN 128911	
4	LCA86868	SEAL	1	Up to SN 128911	
5	LCA55369	SHIM	1	Up to SN 128911	
6	LCA05217	TAPERED ROLLER BEARING	2	Up to SN 128911	
7	LCA73470	SEALING WASHER	1	Up to SN 128911	
8	24M7515	SHIM	3	Up to SN 128911	
9	LCA91555	SPUR GEAR	1	Up to SN 128911	FOR LCA91537
9	LCA91556	SPUR GEAR	1	Up to SN 128911	FOR LCA91538
10	07066	BALL BEARING	2	Up to SN 128911	
11	LCA91740	DRIVER	1	Up to SN 128911	LH
11	LCA91741	DRIVER	1	Up to SN 128911	RH
12	LCA63242	COMPRESSION SPRING	3	Up to SN 128911	
13	LCA91559	PIN FASTENER	3	Up to SN 128911	
14	LCA91739	PINION	1	Up to SN 128911	
15	LCA91733	BEVEL GEAR DRIVE	1	Up to SN 128911	
16	LCA91737	SHAFT	1	Up to SN 128911	
17	LCA91699	CAP	1	Up to SN 128911	
18	LCA05119	TAPERED ROLLER BEARING	1	Up to SN 128911	
19	24M4813	SHIM	AR	Up to SN 128911	
20	LCA67354	SHIM	1	Up to SN 128911	
21	40M1873	SNAP RING	1	Up to SN 128911	
22	LCA91531	BUSHING	1	Up to SN 128911	
23	LCA91697	O-RING	1	Up to SN 128911	
24	LCA40556	TAPERED ROLLER BEARING	1	Up to SN 128911	
25	24M4813	SHIM	1	Up to SN 128911	
26	24M7219	SHIM	AR	Up to SN 128911	
26	24M7221	SHIM	AR	Up to SN 128911	
26	LCA55473	SHIM	AR	Up to SN 128911	
27	40M7302	SNAP RING	2	Up to SN 128911	
28	40M1871	SNAP RING	1	Up to SN 128911	

Spur gear for feeding drum

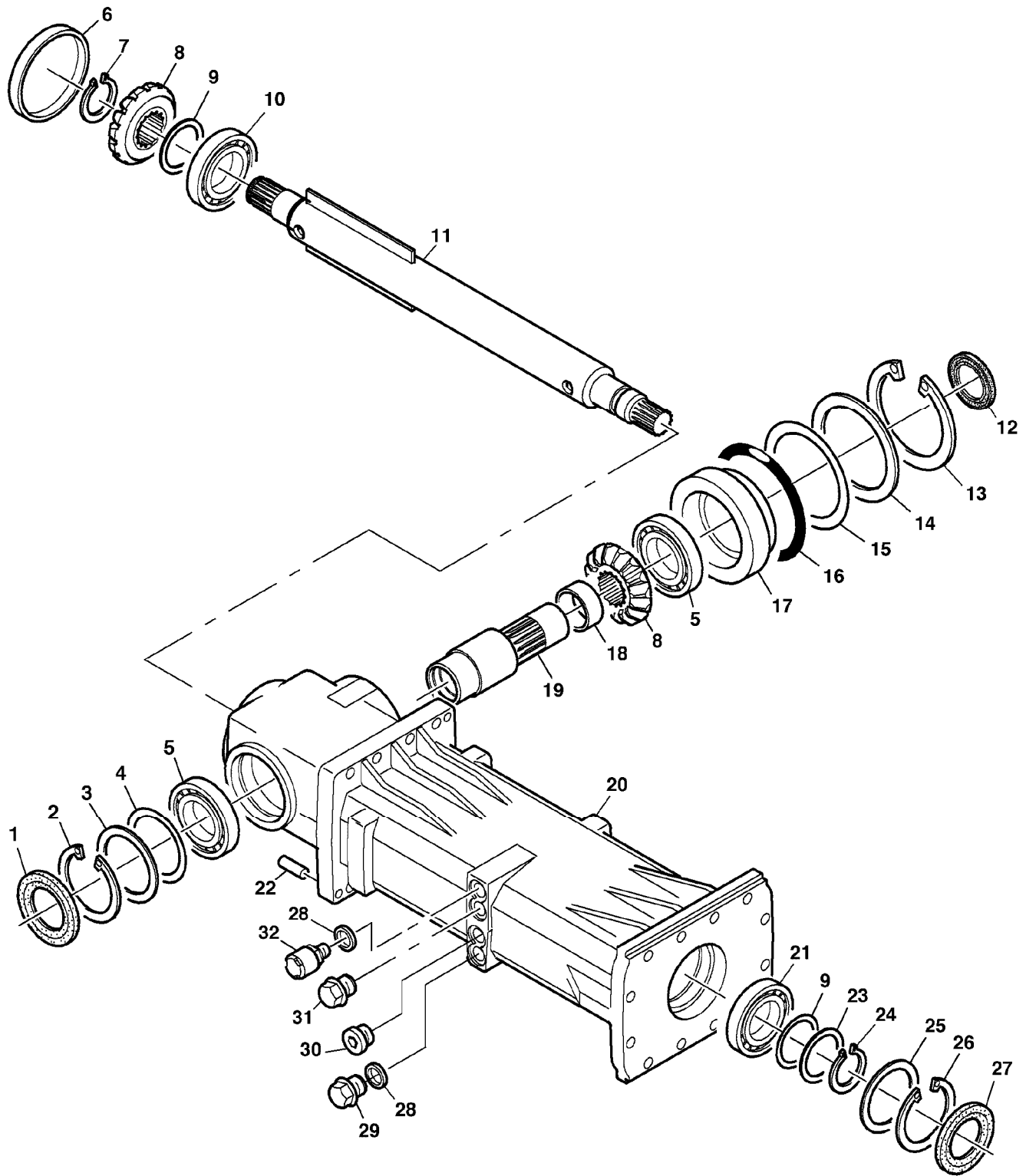


KM000319

## Spur gear for feeding drum

Item no.	Article no.	Description	Quantity	Serial No.	Remark
1	LCA90410	SHAFT	1	Up to SN 128911	
2	LCA91695	SEAL	1	Up to SN 128911	
3	LCA62752	BALL BEARING	1	Up to SN 128911	
4	LCA88497	SHAFT	1	Up to SN 128911	
5	LCA91700	SEALING WASHER	1	Up to SN 128911	
6	LCA78013	BALL BEARING	1	Up to SN 128911	
7	40M7257	SNAP RING	2	Up to SN 128911	
8	LCA91696	SEAL	1	Up to SN 128911	
9	LCA29591	O-RING	1	Up to SN 128911	
10	LCA91532	BUSHING	1	Up to SN 128911	
11	LCA38332	BALL BEARING	1	Up to SN 128911	
12	LCA91520	PINION	1	Up to SN 128911	FOR LCA91537
12	LCA91521	PINION	1	Up to SN 128911	FOR LCA91538
13	40M7187	SNAP RING	1	Up to SN 128911	
14	LCA57049	BALL BEARING	1	Up to SN 128911	
15	LCA91535	PLANET PINION CARRIER	1	Up to SN 128911	
16	40M7302	SNAP RING	1	Up to SN 128911	
17	LCA91518	SPUR GEAR	1	Up to SN 128911	
18	LCA91533	RATCHET	1	Up to SN 128911	
19	.....	.....	AR	Up to SN 128911	NSEP
20	.....	.....	AR	Up to SN 128911	NSEP
21	LCA56102	CAM	AR	Up to SN 128911	
22	LCA91558	SPUR GEAR	4	Up to SN 128911	
23	LCA91691	NEEDLE BEARING	4	Up to SN 128911	
24	LCA91692	RING	4	Up to SN 128911	
25	LCA91557	BUSHING	4	Up to SN 128911	

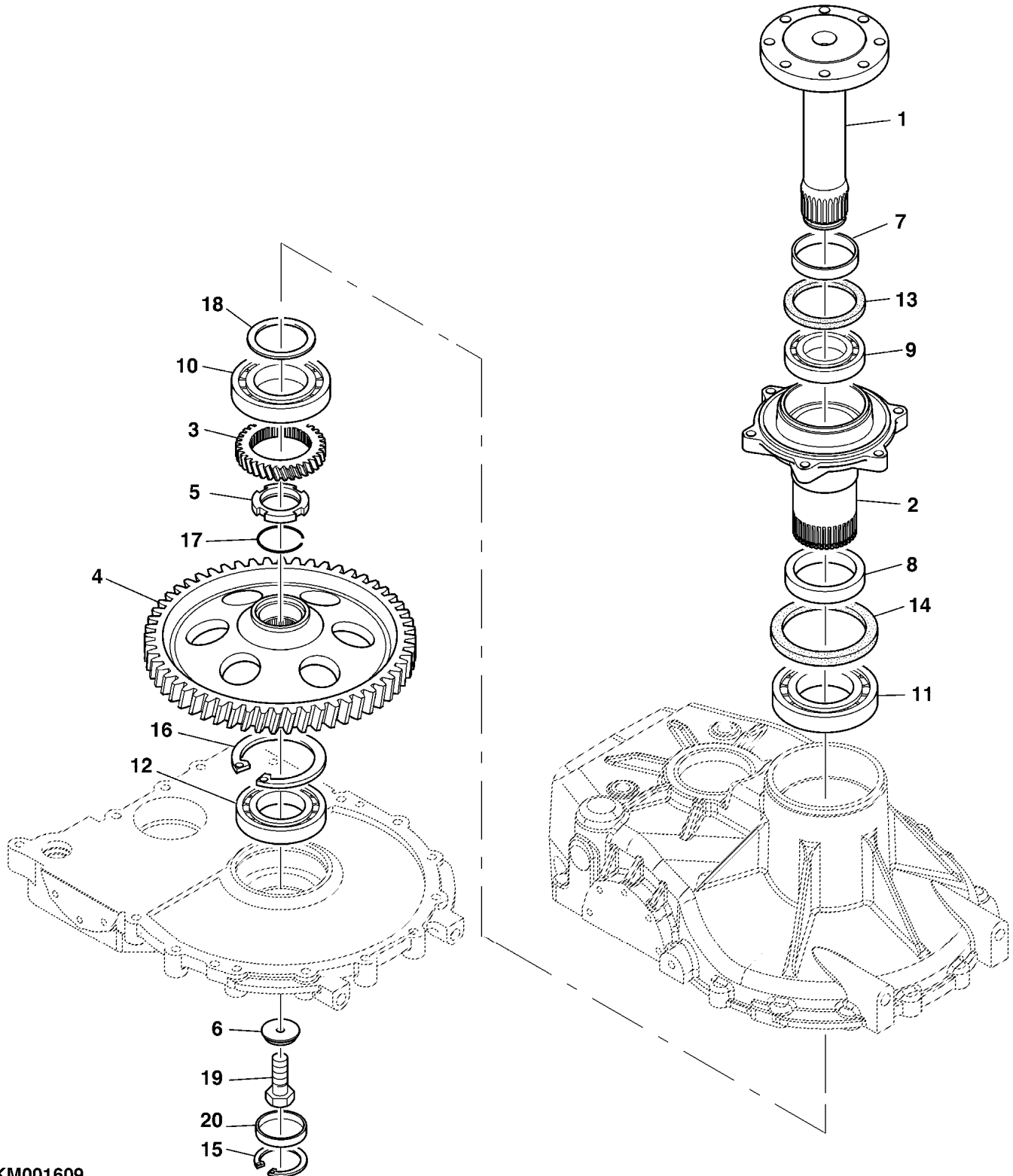
Right-angle gear



KM000172

Item no.	Article no.	Description	Quantity	Serial No.	Remark
1	LCA86868	SEAL	1	Up to SN 128911	
2	40M1871	SNAP RING	1	Up to SN 128911	
3	LCA38672	SHIM	1	Up to SN 128911	
4	24M7164	SHIM	AR	Up to SN 128911	TK = 0,1 mm
4	LCA28030	SHIM	AR	Up to SN 128911	TK = 0,3 mm
4	LCA55473	SHIM	AR	Up to SN 128911	TK = 0,5 mm
5	LCA40556	TAPERED ROLLER BEARING	2	Up to SN 128911	
6	LCA56794	PLUG	1	Up to SN 128911	
7	40M1835	SNAP RING	1	Up to SN 128911	
8	LCA91734	BEVEL GEAR DRIVE	1	Up to SN 128911	
9	24M7319	SHIM	AR	Up to SN 128911	TK = 0,3 mm
9	24M7450	SHIM	AR	Up to SN 128911	TK = 0,5 mm
9	24M7570	SHIM	AR	Up to SN 128911	TK = 0,1 mm
10	LCA05377	BALL BEARING	1	Up to SN 128911	
11	LCA91528	SHAFT	1	Up to SN 128911	
12	LCA92093	SEAL	1	Up to SN 128911	
13	40M5427	SNAP RING	1	Up to SN 128911	
14	LCA62760	SHIM	1	Up to SN 128911	
15	24M7165	SHIM	AR	Up to SN 128911	TK = 0,1 mm
15	24M7575	SHIM	AR	Up to SN 128911	TK = 0,3 mm
15	LCA62761	SHIM	AR	Up to SN 128911	TK = 0,5 mm
16	L62735	O-RING	1	Up to SN 128911	
17	LCA91742	BUSHING	1	Up to SN 128911	
18	LCA91529	BUSHING	1	Up to SN 128911	
19	LCA91525	SHAFT	1	Up to SN 128911	
20	LCA91731	HOUSING	1	Up to SN 128911	
21	LCA61193	BALL BEARING	1	Up to SN 128911	
22	LCA91704	SPRING PIN	2	Up to SN 128911	
23	24M7300	WASHER	1	Up to SN 128911	
24	40M7014	SNAP RING	1	Up to SN 128911	
25	LCA91708	WASHER	1	Up to SN 128911	
26	40M5546	SNAP RING	1	Up to SN 128911	
27	LCA91707	SEAL	1	Up to SN 128911	
28	LCA03435	SEALING RING	4	Up to SN 128911	
29	LCA59521	SCREW	1	Up to SN 128911	
30	LCA11657	FITTING PLUG	1	Up to SN 128911	
31	03431	FITTING PLUG	1	Up to SN 128911	
32	LCA82131	VALVE	2	Up to SN 128911	

TRANSMISSION



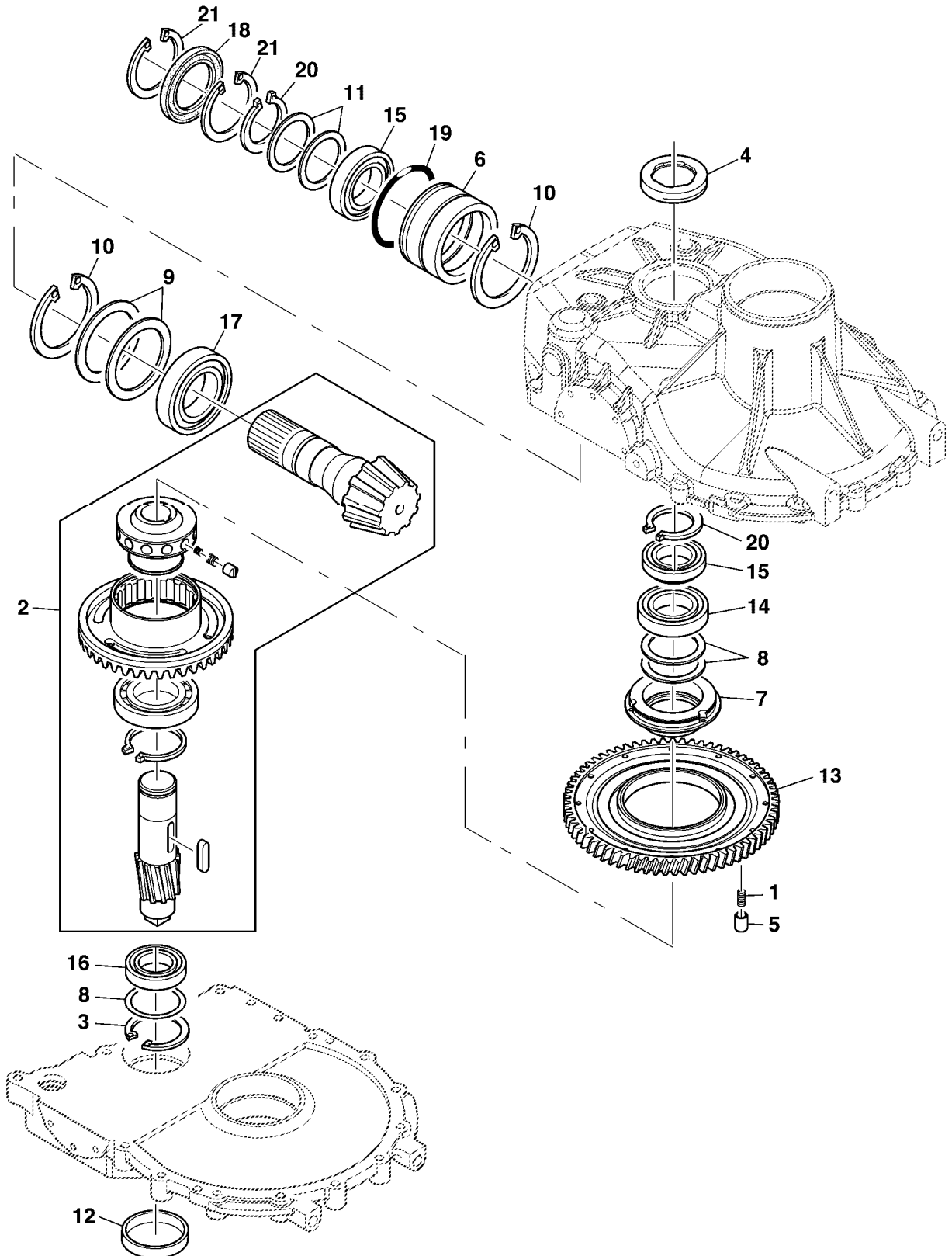
KM001609



## TRANSMISSION

Item no.	Article no.	Description	Quantity	Serial No.	Remark
1	LCA107326	SHAFT	1	From SN 128912	
2	LCA107337	SHAFT	1	From SN 128912	
3	LCA98519	PINION	1	From SN 128912	For LCA106906
3	LCA107317	PINION	1	From SN 128912	For LCA106907
4	LCA107392	PINION	1	From SN 128912	For LCA106906
4	LCA107393	PINION	1	From SN 128912	For LCA106907
5	LCA107380	NUT	1	From SN 128912	
6	LCA110427	THRUST WASHER	1	From SN 128912	
7	LCA107329	SPACER	1	From SN 128912	
8	LCA107330	SPACER	1	From SN 128912	
9	62752	BALL BEARING	1	From SN 128912	
10	LCA38332	BALL BEARING	1	From SN 128912	
11	LCA65597	BALL BEARING	1	From SN 128912	
12	JD9439	BALL BEARING	1	From SN 128912	
13	LCA91695	SEAL	1	From SN 128912	
14	LCA114013	SEAL	1	From SN 128912	
15	40M1871	SNAP RING	3	From SN 128912	
16	LCA114014	SNAP RING	1	From SN 128912	
17	70072	SEAL	1	From SN 128912	
18	LCA36716	WASHER	1	From SN 128912	
19	19M9659	CAP SCREW	1	From SN 128912	M16x45
20	LCA114010	CAP	2	From SN 128912	

TRANSMISSION

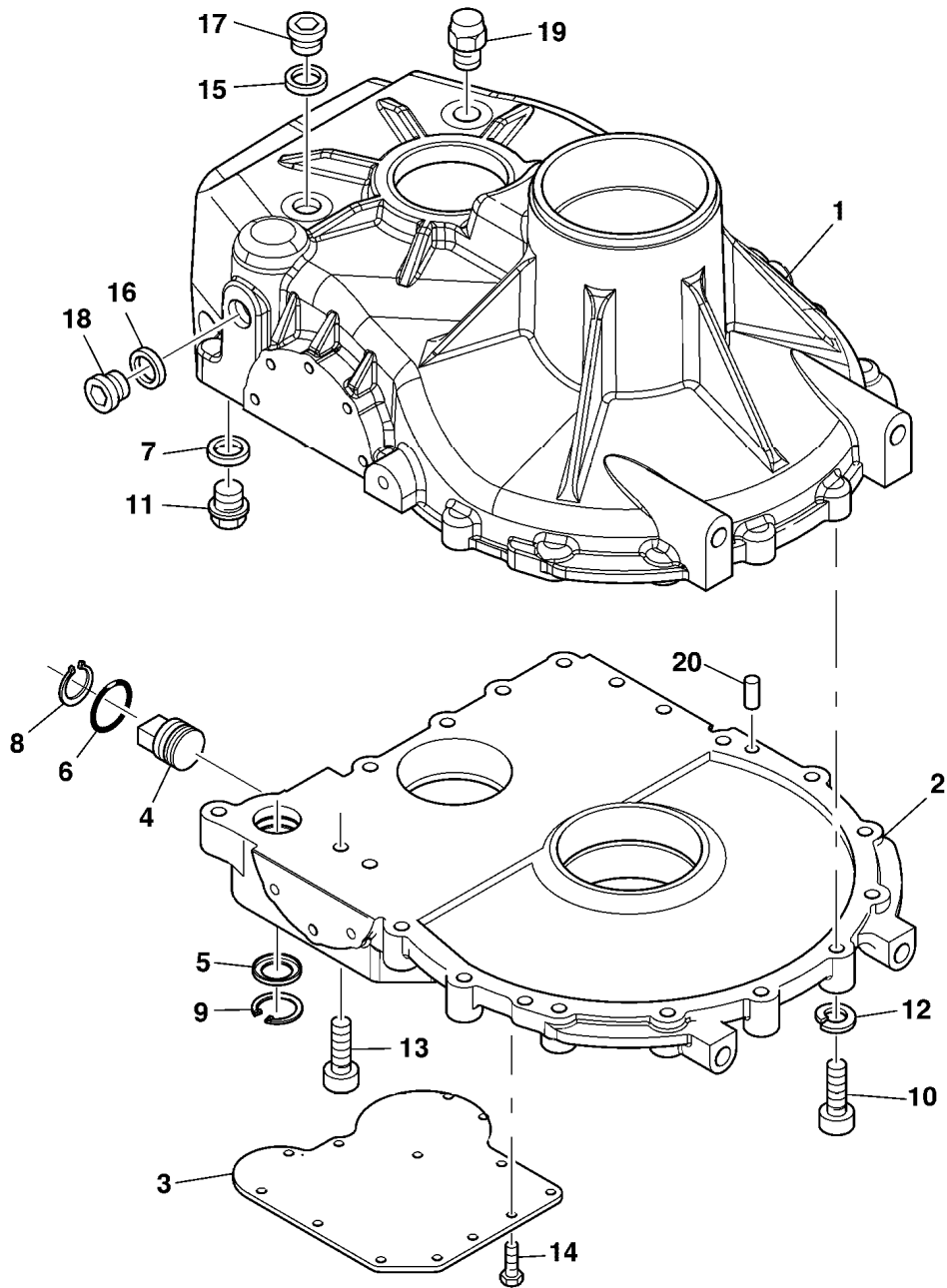


KM001615

## TRANSMISSION

Item no.	Article no.	Description	Quantity	Serial No.	Remark
1	LCA63242	COMPRESSION SPRING	3	From SN 128912	
2	LCA110424	BEVEL GEAR DRIVE	1	From SN 128912	For LCA106906
2	LCA110426	BEVEL GEAR DRIVE	1	From SN 128912	For LCA106907
3	LCA114011	SNAP RING	1	From SN 128912	
4	LCA107387	SCREW	1	From SN 128912	
5	LCA91559	PIN FASTENER	3	From SN 128912	
6	LCA107325	BUSHING	1	From SN 128912	
7	LCA107384	WASHER	1	From SN 128912	
8	LCA110422	SHIM	2	From SN 128912	
9	LCA110421	SHIM	1	From SN 128912	
10	LCA35964	SNAP RING	2	From SN 128912	
11	LCA110425	SHIM	1	From SN 128912	
12	LCA114010	CAP	2	From SN 128912	
13	LCA110382	PINION	1	From SN 128912	For LCA106906
13	LCA110383	PINION	1	From SN 128912	For LCA106907
14	LCA05379	BALL BEARING	1	From SN 128912	
15	LCA05118	TAPERED ROLLER BEARING	2	From SN 128912	
16	LCA76263	TAPERED ROLLER BEARING	1	From SN 128912	
17	LCA05119	TAPERED ROLLER BEARING	1	From SN 128912	
18	LCA58673	SEAL	1	From SN 128912	
19	LCA91697	O-RING	1	From SN 128912	
20	40M7014	SNAP RING	2	From SN 128912	
21	40M1871	SNAP RING	3	From SN 128912	

TRANSMISSION

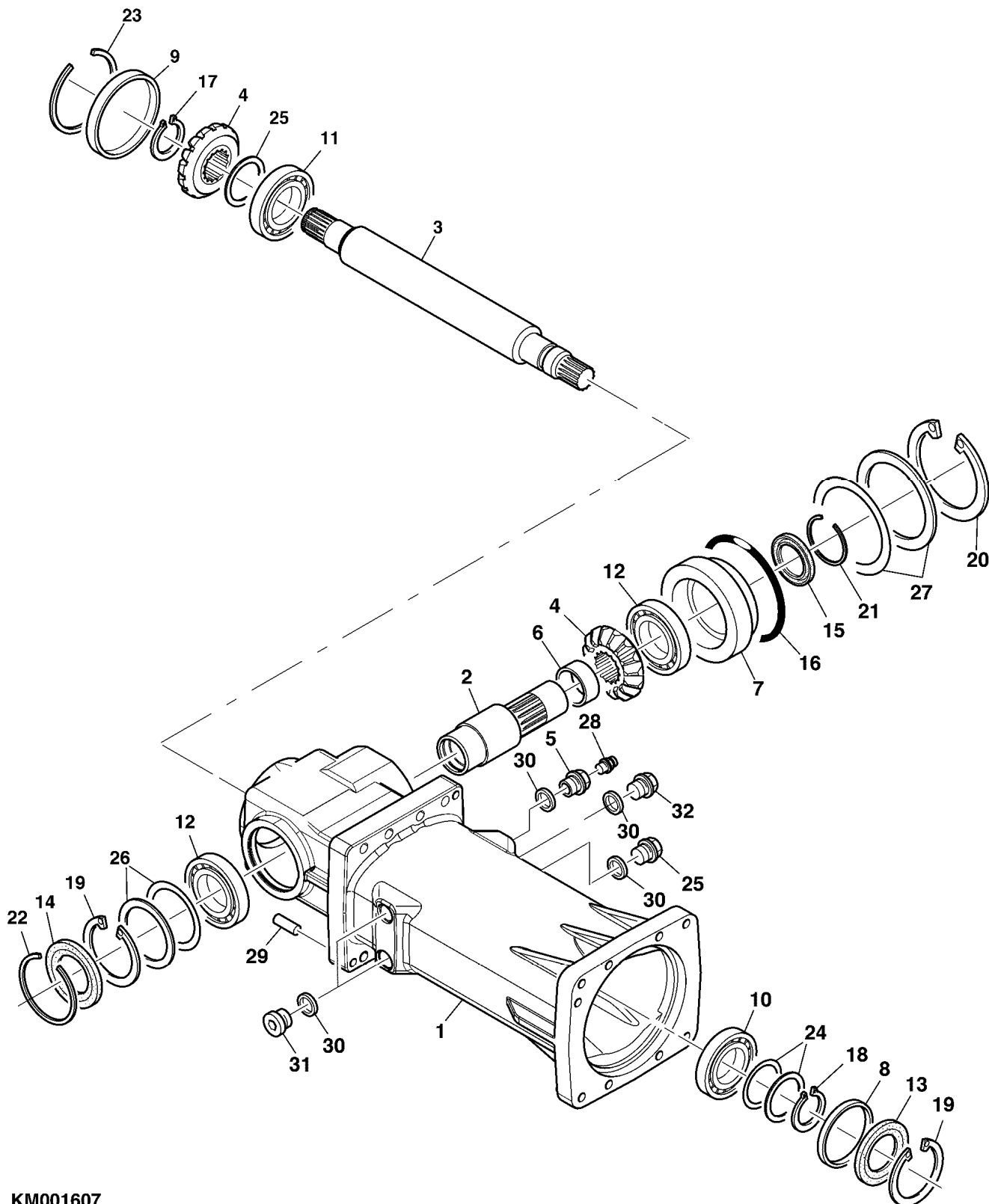


KM001616

## TRANSMISSION

Item no.	Article no.	Description	Quantity	Serial No.	Remark
1	LCA110378	HOUSING	1	From SN 128912	
2	LCA110379	HOUSING	1	From SN 128912	
3	LCA107324	COVER	1	From SN 128912	
4	LCA110364	PIN FASTENER	1	From SN 128912	
5	LCA69387	CAP	1	From SN 128912	
6	EPC032357	O-RING	1	From SN 128912	
7	LCA03435	SEALING RING	1	From SN 128912	
8	40M7296	SNAP RING	1	From SN 128912	
9	40M1858	SNAP RING	1	From SN 128912	
10	19M9708	BOLT	17	From SN 128912	M10x45
11	LCA114009	SCREW	1	From SN 128912	
12	12M7135	LOCK WASHER	20	From SN 128912	
13	19M9704	BOLT	3	From SN 128912	
14	19M9674	CAP SCREW	12	From SN 128912	
15	51M4232	SEALING RING	1	From SN 128912	
16	51M7018	SEALING RING	1	From SN 128912	
17	LCA98092	FITTING PLUG	1	From SN 128912	
18	15M7026	FITTING PLUG	1	From SN 128912	
19	LCA82131	VALVE	1	From SN 128912	
20	LCA91704	SPRING PIN	2	From SN 128912	

TRANSMISSION

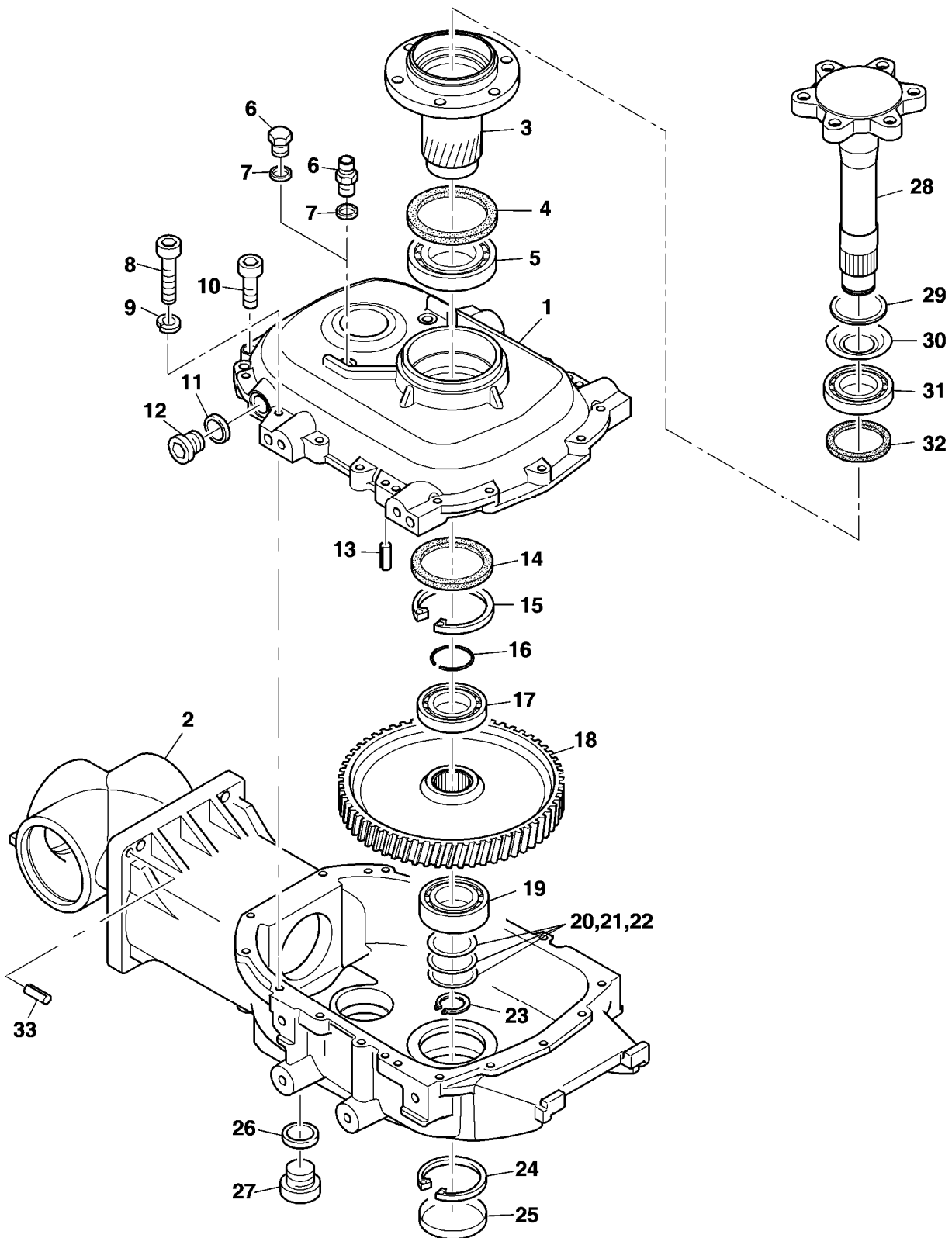


KM001607

## TRANSMISSION

Item no.	Article no.	Description	Quantity	Serial No.	Remark
1	LCA107348	HOUSING	1	From SN 128912	
2	LCA91525	SHAFT	1	From SN 128912	
3	LCA107359	SHAFT	1	From SN 128912	
4	LCA91734	BEVEL GEAR DRIVE	1	From SN 128912	
5	LCA86768	FITTING PLUG	1	From SN 128912	
6	LCA91529	BUSHING	1	From SN 128912	
7	LCA110348	BUSHING	1	From SN 128912	
8	LCA110349	SPACER	1	From SN 128912	
9	LCA114007	CAP	1	From SN 128912	
10	11858	BALL BEARING	1	From SN 128912	
11	LCA71928	BALL BEARING	1	From SN 128912	
12	LCA40556	TAPERED ROLLER BEARING	2	From SN 128912	
13	LCA58673	SEAL	1	From SN 128912	
14	LCA86868	SEAL	1	From SN 128912	
15	LCA92093	SEAL	1	From SN 128912	
16	L62735	O-RING	1	From SN 128912	
17	40M1835	SNAP RING	1	From SN 128912	
18	40M7014	SNAP RING	1	From SN 128912	
19	40M1871	SNAP RING	2	From SN 128912	
20	40M5427	SNAP RING	1	From SN 128912	
21	LCA75896	SNAP RING	1	From SN 128912	
22	LCA65149	SNAP RING	1	From SN 128912	
23	LCA61185	SNAP RING	1	From SN 128912	
24	LCA110425	SHIM	1	From SN 128912	
25	LCA114009	SCREW	1	From SN 128912	
26	LCA110422	SHIM	1	From SN 128912	
27	LCA110423	SHIM	1	From SN 128912	
28	LCA82131	VALVE	1	From SN 128912	
29	LCA72292	SPRING PIN	2	From SN 128912	
30	71954	SEALING RING	5	From SN 128912	
31	LCA11657	FITTING PLUG	2	From SN 128912	
32	03431	FITTING PLUG	1	From SN 128912	

Spur gear for outer feeding drums



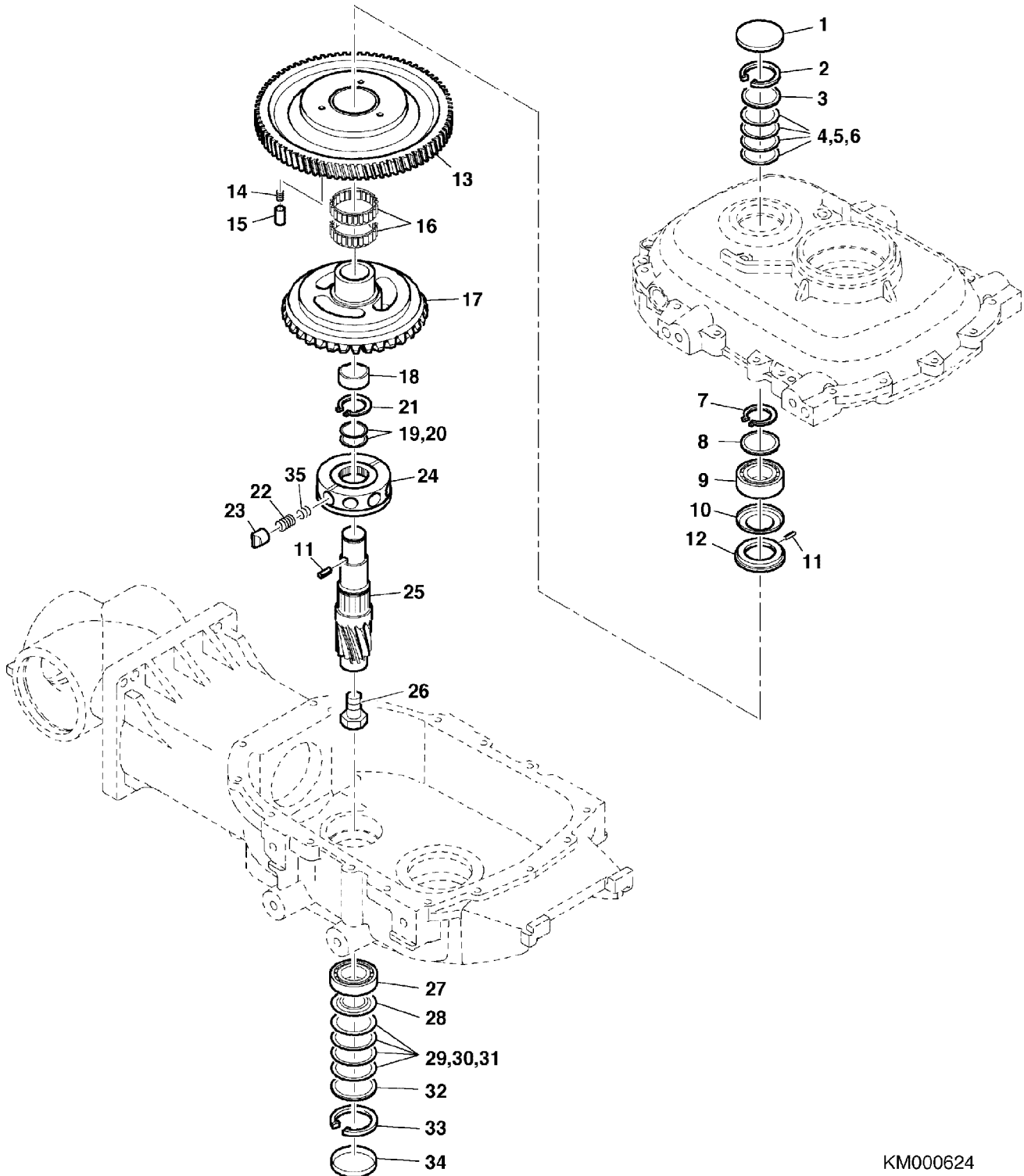
KM001048



## Spur gear for outer feeding drums

Item no.	Article no.	Description	Quantity	Serial No.	Remark
1	LCA98016	CASE	1		
2	LCA98018	CASE	1		
3	LCA91595	SHAFT	1		
4	LCA69799	SEAL	1		
5	LCA44418	BALL BEARING	1		
6	LCA14625	FITTING PLUG	1		
6	LCA77644	BLEED VALVE	1		
7	LCA05676	SEALING RING	2		
8	19M9741	BOLT	15		
9	LCA57540	LOCK WASHER	15		
10	19M9738	BOLT	2		M8x25
11	LCA05813	SEALING RING	2		
12	LCA30567	FITTING PLUG	2		
13	LCA72292	SPRING PIN	2		
14	LCA96074	SEAL	1		
15	40M1873	SNAP RING	1		
16	69796	SEAL	1		
17	LCA42765	BALL BEARING	1		
18	LCA91592	SPUR GEAR	1		LH
18	LCA91593	SPUR GEAR	1		RH
19	LCA28023	BALL BEARING	1		
20	24M7317	SHIM	1		
21	24M7569	SHIM	AR		TK = 0,1 mm
22	LCA07062	SHIM	AR		TK = 0,3 mm
23	40M7012	SNAP RING	2		
24	40M1871	SNAP RING	3		
25	LCA69386	CAP	1		
26	LCA03435	SEALING RING	1		
27	LCA63274	FITTING PLUG	1		
28	LCA91594	SHAFT	1		
29	LCA97410	WASHER	1		
30	LCA69777	SEALING WASHER	1		
31	12740	BALL BEARING	1		
32	LCA106345	SEAL	1		
33	LCA91704	SPRING PIN	2		

Spur gear for outer feeding drums

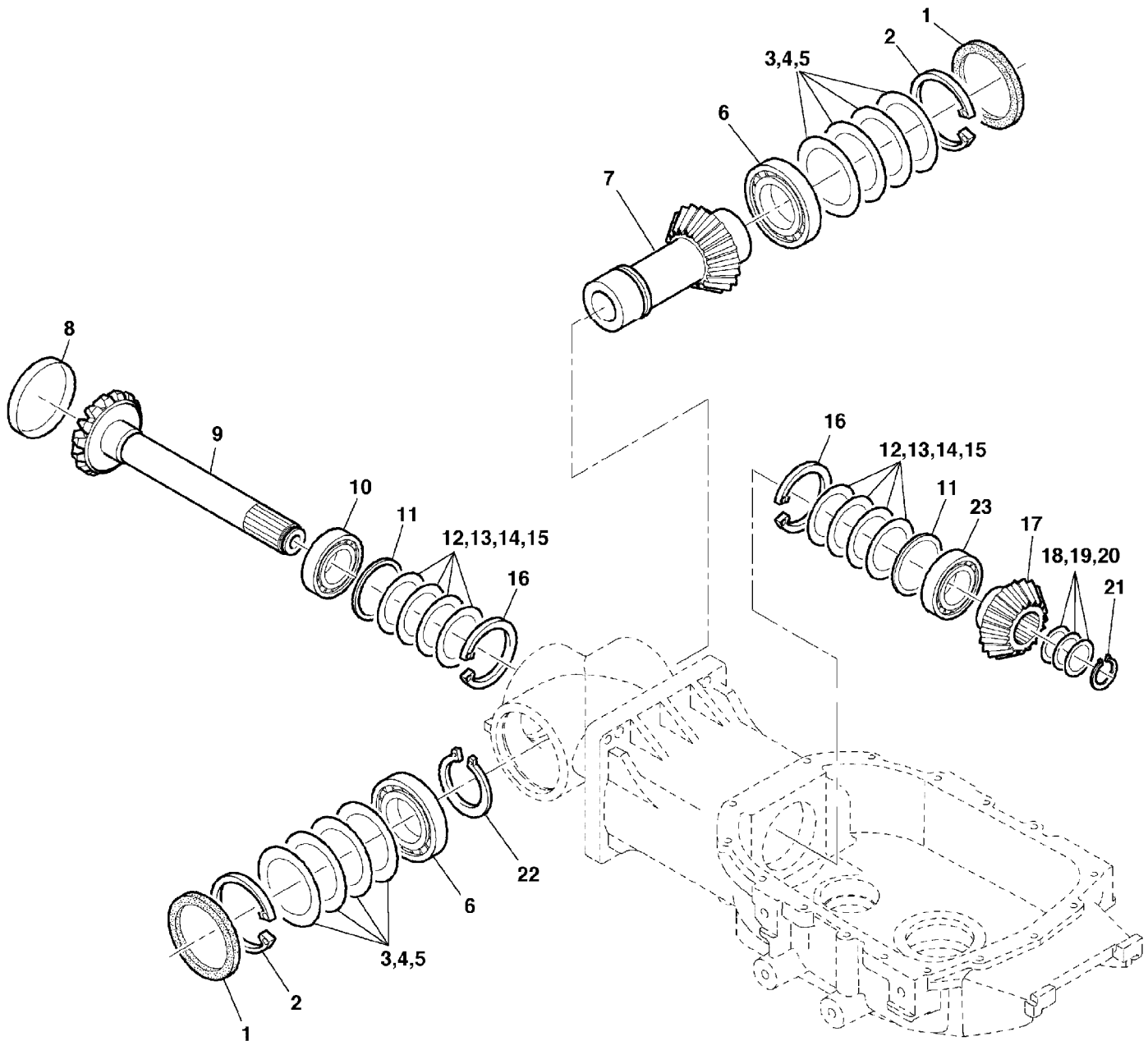


KM000624

## Spur gear for outer feeding drums

Item no.	Article no.	Description	Quantity	Serial No.	Remark
1	LCA71953	CAP	1		
2	40M7375	SNAP RING	1		
3	LCA12776	WASHER	2		TK = 2,5 mm
4	LCA97403	SHIM	AR		TK = 0,1 mm
5	LCA97404	SHIM	AR		TK = 0,3 mm
6	LCA97405	SHIM	AR		TK = 0,5 mm
7	40M7011	SNAP RING	1		
8	LCA97411	WASHER	2		TK = 2,5 mm
9	LCA96072	TAPERED ROLLER BEARING	1		
10	LCA96075	SEALING WASHER	1		
11	34M3845	SPRING PIN	1		
12	LCA91598	DISK	1		
13	LCA91596	SPUR GEAR	1		
14	LCA96077	COMPRESSION SPRING	3		
15	LCA73422	PIN FASTENER	3		
16	LCA65588	NEEDLE BEARING	2		
17	...	...	1		LH, NSEP, ORD LCA98688
17	...	...	1		RH, NSEP, ORD LCA98689
18	LCA69132	BUSHING	1		
19	24M7569	SHIM	AR		TK = 0,1 mm
20	LCA07062	SHIM	AR		TK = 0,3 mm
21	40M7012	SNAP RING	2		
22	LCA96078	COMPRESSION SPRING	8		
23	LCA91600	PIN FASTENER	8		
24	LCA91584	HUB	1		
25	LCA91590	SHAFT	1		LH
25	LCA91591	SHAFT	1		RH
26	19M9656	CAP SCREW	1		M16x30
27	LCA05117	TAPERED ROLLER BEARING	1		
28	LCA96076	SEALING WASHER	1		
29	LCA94850	SHIM	AR		TK = 0,1 mm
30	LCA94849	SHIM	AR		TK = 0,3 mm
31	LCA97406	SHIM	AR		TK = 0,5 mm
32	LCA97407	WASHER	1		TK = 3,0 mm
33	40M1868	SNAP RING	1		
34	LCA49075	CAP	1		
35	LCA97401	COMPRESSION SPRING	4		

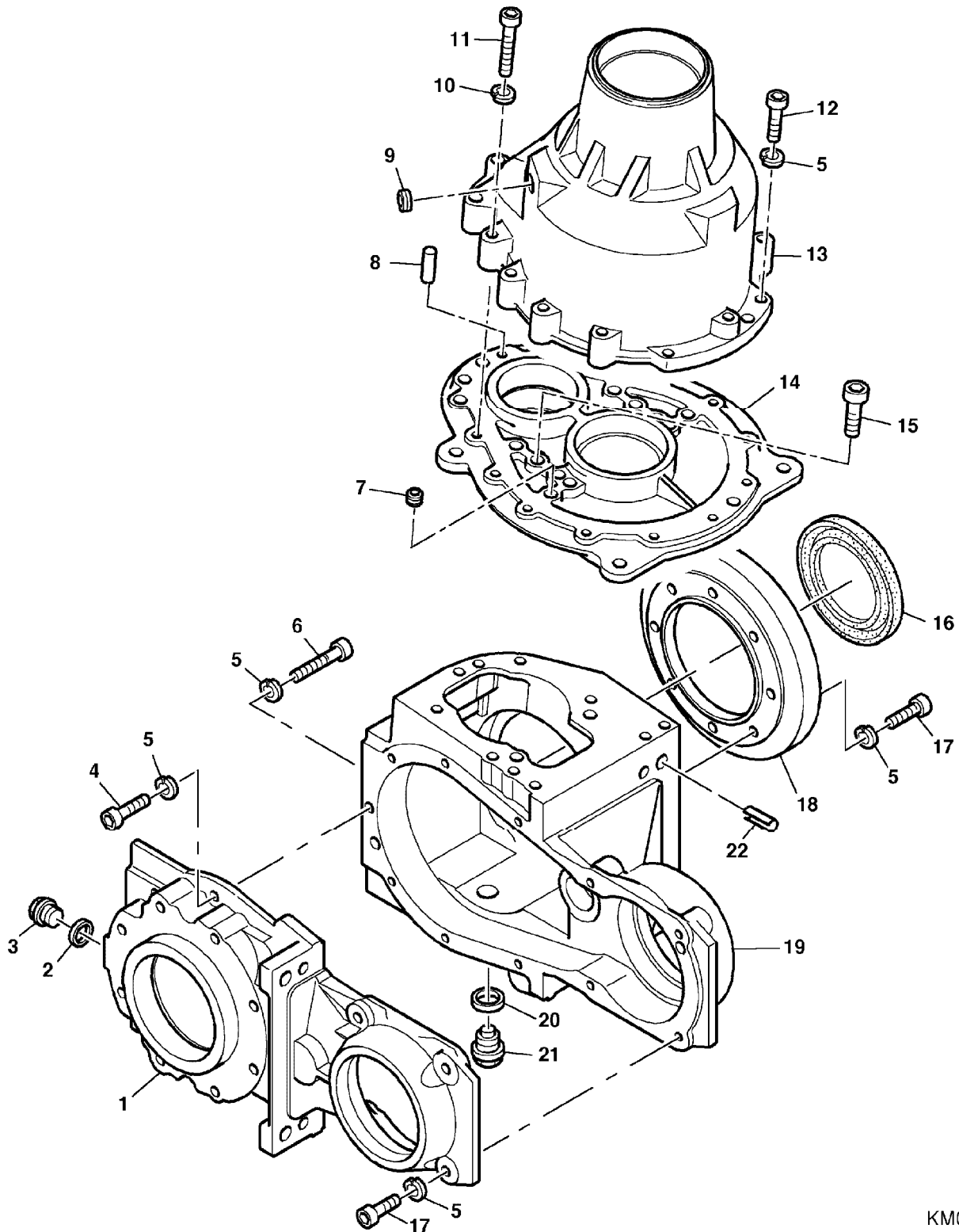
Spur gear for outer feeding drums



KM000625

## Spur gear for outer feeding drums

Item no.	Article no.	Description	Quantity	Serial No.	Remark
1	LCA96073	SEAL	2		
2	40M5100	SNAP RING	2		
3	LCA49037	SHIM	AR		TK = 0,1 mm
4	LCA55480	SHIM	AR		TK = 0,3 mm
5	LCA69771	SHIM	AR		TK = 1,0 mm
6	LCA49033	BALL BEARING	2		
7	LCA91582	SHAFT	1		
8	LCA69385	CAP	1		
9	LCA91583	SHAFT	1		
10	LCA05118	TAPERED ROLLER BEARING	1		
11	LCA97409	WASHER	2		TK = 3,0 mm
12	LCA92102	SHIM	AR		TK = 0,1 mm
13	LCA92103	SHIM	AR		TK = 0,3 mm
14	LCA92104	SHIM	AR		TK = 0,5 mm
15	LCA97408	SHIM	AR		TK = 1,0 mm
16	40M1871	SNAP RING	3		
17	...	...	1		LH, NSEP, ORD LCA98688
17	...	...	1		RH, NSEP, ORD LCA98689
18	24M7199	SHIM	AR		TK = 0,5 mm
19	24M7304	SHIM	AR		TK = 0,3 mm
20	24M7305	SHIM	AR		TK = 0,1 mm
21	40M7200	SNAP RING	1		
22	40M1843	SNAP RING	1		
23	LCA40556	TAPERED ROLLER BEARING	1		



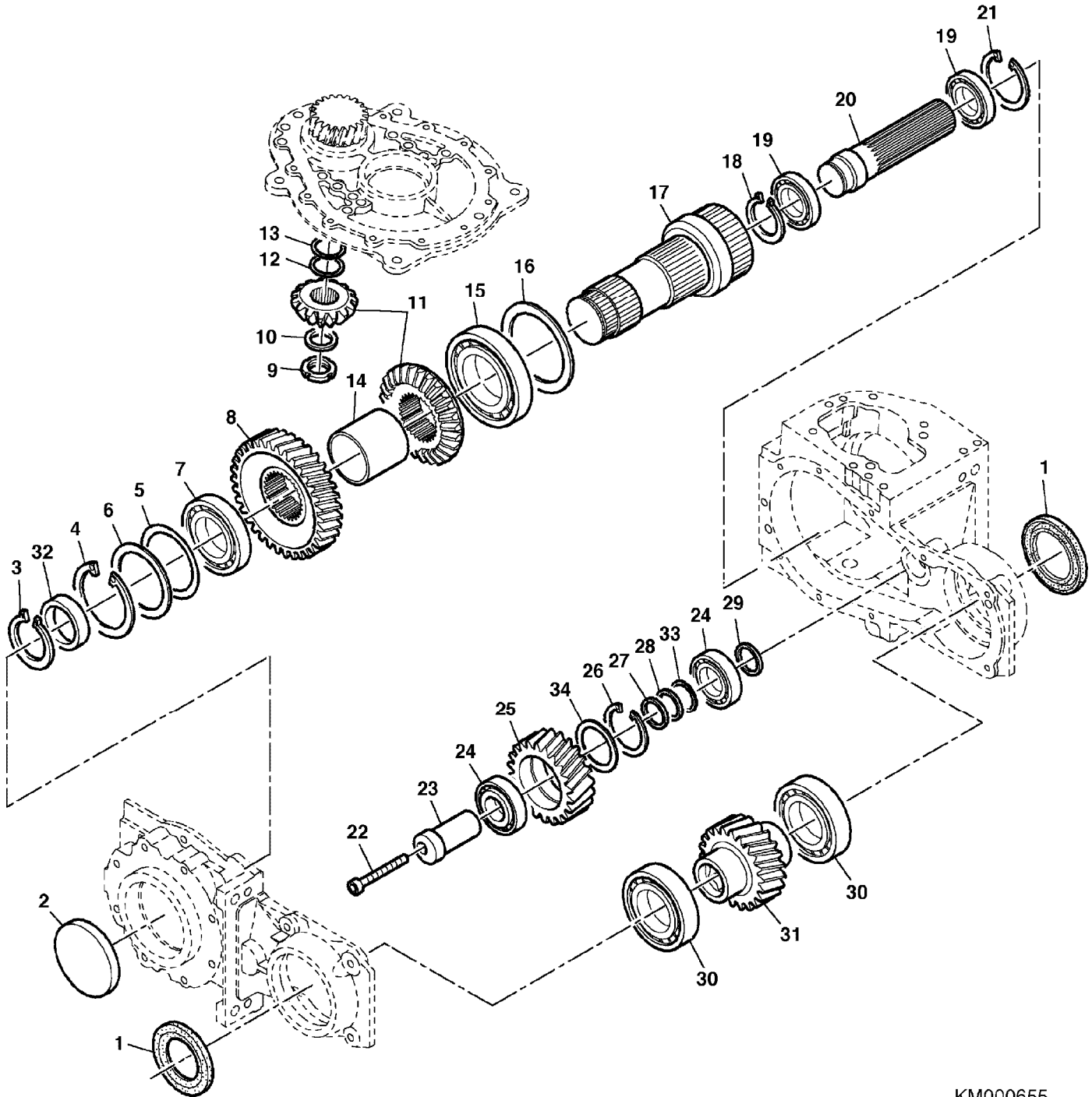
KM000182

## Helical spur gear LCA98487

Item no.	Article no.	Description	Quantity	Serial No.	Remark
1	LCA88518	HOUSING	1		
2	37848	SEALING RING	1		
3	LCA59408	FITTING PLUG	1		
4	19M9740	BOLT	AR		M8x35
5	LCA57540	LOCK WASHER	AR		
6	19M8658	BOLT	1		M8x60
7	22M7113	SCREW	1		
8	44M7152	DOWEL PIN	1		
9	15M7091	FITTING PLUG	1		M16x1,5
10	LCA40940	LOCK WASHER	8		
11	19M8676	BOLT	3		M10x65
12	19M9741	BOLT	9		M8x45
13	LCA88519	HOUSING	1		
14	LCA88517	HOUSING	1		
15	19M9706	BOLT	6		M10x35
16	LCA91713	SEAL	1		
17	19M9739	BOLT	AR		M8x30
18	LCA91722	COVER	1		
19	LCA88520	HOUSING	1		
20	LCA03435	SEALING RING	1		
21	LCA59521	SCREW	1		
22	LCA91704	SPRING PIN	5		

Rotary Harvesting Unit

Helical spur gear LCA98487

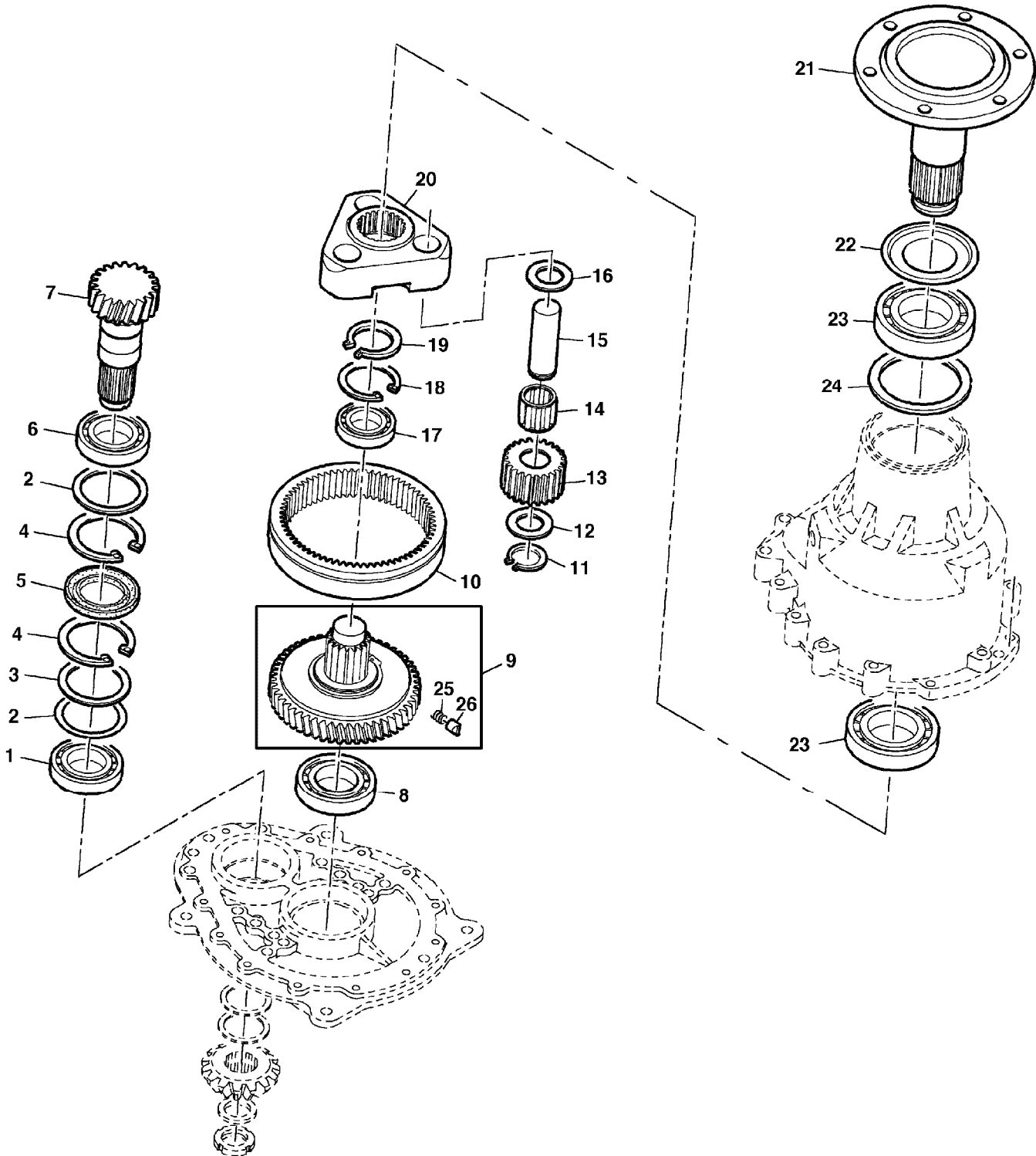


KM000655



## Helical spur gear LCA98487

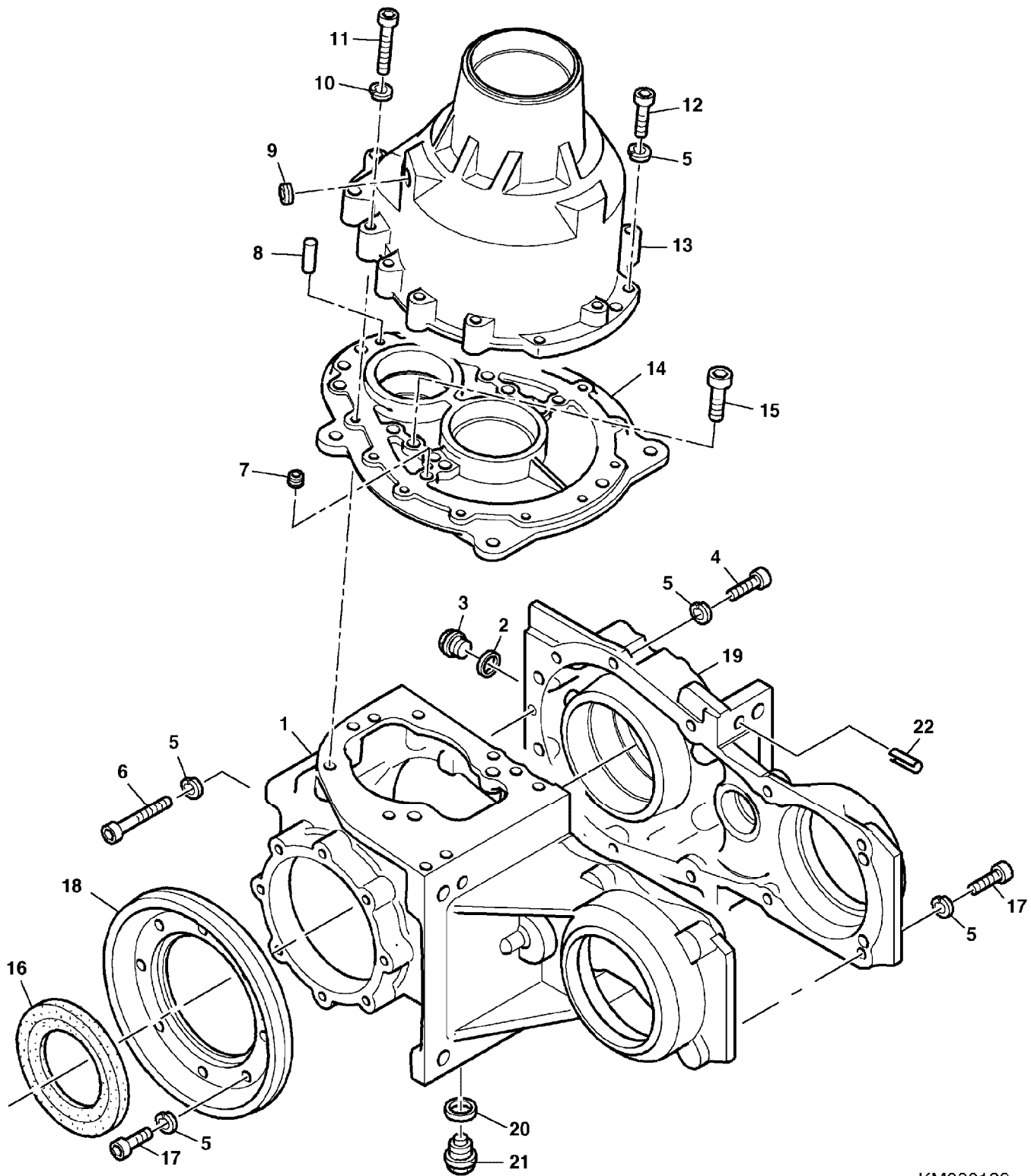
Item no.	Article no.	Description	Quantity	Serial No.	Remark
1	LCA94239	SEAL	2		
2	LCA52008	CAP	1		
3	40M1841	SNAP RING	1		
4	40M1873	SNAP RING	1		
5	LCA98500	SPACER	1		
6	24M7154	SHIM	AR		TK = 0,1 mm
6	24M7168	SHIM	AR		TK = 0,3 mm
6	24M7576	SHIM	AR		TK = 0,5 mm
7	LCA46097	TAPERED ROLLER BEARING	1		
8	LCA98490	SPUR GEAR	1		
9	LCA29076	NUT	1		
10	24M7375	WASHER	1		
11	LCA91735	BEVEL GEAR DRIVE	1		
12	24M7199	SHIM	AR		TK = 0,5 mm
12	24M7304	SHIM	AR		TK = 0,3 mm
12	24M7305	SHIM	AR		TK = 0,1 mm
13	24M7303	SHIM	1		TK = 1.0 mm
14	LCA98491	SPACER	1		
15	LCA58688	BALL BEARING	1		
16	LCA62761	SHIM	AR		TK = 0,5 mm
16	24M7165	SHIM	AR		TK = 0,1 mm
16	24M7575	SHIM	AR		TK = 0,3 mm
17	LCA98489	SHAFT	1		
18	40M1835	SNAP RING	1		
19	LCA36868	BALL BEARING	2		
20	LCA87846	SHAFT	1		
21	40M5546	SNAP RING	1		
22	19M7604	BOLT	1		M8x80
23	LCA87842	PIN FASTENER	1		
24	LCA65598	TAPERED ROLLER BEARING	2		
25	LCA87841	SPUR GEAR	1		
26	40M1868	SNAP RING	1		
27	LCA69672	WASHER	1		
28	LCA69673	KIT	1		
29	24M7536	WASHER	1		
30	LCA27946	BALL BEARING	2		
31	LCA87749	SPUR GEAR	1		
32	LCA98499	SPACER	1		
33	LCA98501	SHIM	1		TK = 1.0 mm
34	24M4813	SHIM	1		



KM000184

## Helical spur gear LCA98487

Item no.	Article no.	Description	Quantity	Serial No.	Remark
1	LCA05117	TAPERED ROLLER BEARING	1		
2	24M7594	WASHER	2		
3	24M4813	SHIM	AR		TK = 1.0 mm
3	24M7219	SHIM	AR		TK = 0,1 mm
3	24M7221	SHIM	AR		TK = 0,3 mm
3	24M7201	SHIM	AR		TK = 0,5 mm
4	40M1868	SNAP RING	2		
5	LCA91710	SEAL	1		
6	LCA27672	TAPERED ROLLER BEARING	1		
7	LCA87748	PINION SHAFT	1		
8	07066	BALL BEARING	1		
9	LCA87852	RATCHET	1		
10	LCA90096	SPUR GEAR	1		
11	40M7011	SNAP RING	3		
12	LCA91709	WASHER	3		
13	LCA90095	SPUR GEAR	3		
14	LCA55577	NEEDLE BEARING	3		
15	LCA87746	PIN FASTENER	3		
16	JD39125	WASHER	3		
17	LCA13009	BALL BEARING	1		
18	40M1866	SNAP RING	1		
19	40M7014	SNAP RING	1		
20	LCA87744	PLANET PINION CARRIER	1		
21	LCA91723	SHAFT	1		
22	LCA91714	SEALING WASHER	1		
23	12740	BALL BEARING	2		
24	24M7516	SHIM	1		
25	LCA13224	COMPRESSION SPRING	AR		
26	LCA56102	CAM	AR		



KM000189

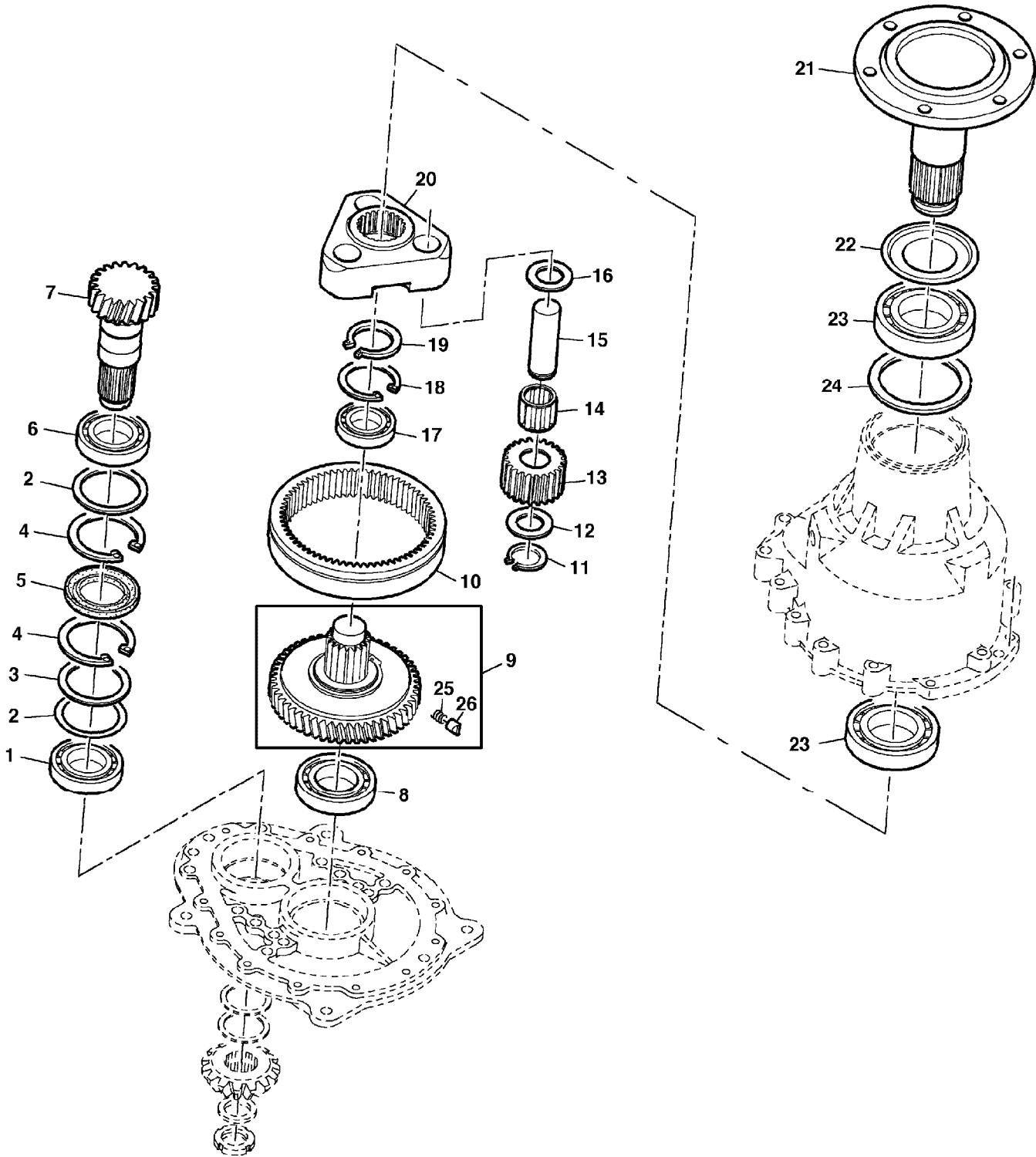
## Helical spur gear LCA98488

Item no.	Article no.	Description	Quantity	Serial No.	Remark
1	LCA88516	HOUSING	1		
2	37848	SEALING RING	1		
3	LCA59408	FITTING PLUG	1		
4	19M9740	BOLT	AR		M8x35
5	LCA57540	LOCK WASHER	AR		
6	19M8658	BOLT	1		M8x60
7	22M7113	SCREW	1		
8	44M7152	DOWEL PIN	1		
9	15M7091	FITTING PLUG	1		M16x1,5
10	LCA40940	LOCK WASHER	8		
11	19M8676	BOLT	3		M10x65
12	19M9741	BOLT	9		M8x45
13	LCA88519	HOUSING	1		
14	LCA88517	HOUSING	1		
15	19M9706	BOLT	6		M10x35
16	LCA91713	SEAL	1		
17	19M9739	BOLT	AR		M8x30
18	LCA91722	COVER	1		
19	LCA91724	HOUSING	1		
20	LCA03435	SEALING RING	1		
21	LCA59521	SCREW	1		
22	LCA91704	SPRING PIN	5		



## Helical spur gear LCA98488

Item no.	Article no.	Description	Quantity	Serial No.	Remark
1	LCA94239	SEAL	2		
2	LCA90092	SPACER	1		
3	40M1841	SNAP RING	1		
4	40M1873	SNAP RING	2		
5	LCA98500	SPACER	1		
6	24M7154	SHIM	AR		TK = 0,1 mm
6	24M7168	SHIM	AR		TK = 0,3 mm
6	24M7576	SHIM	AR		TK = 0,5 mm
7	LCA46097	TAPERED ROLLER BEARING	1		
8	LCA98490	SPUR GEAR	1		
9	LCA29076	NUT	1		
10	24M7375	WASHER	1		
11	LCA91735	BEVEL GEAR DRIVE	1		
12	24M7199	SHIM	AR		TK = 0,5 mm
12	24M7304	SHIM	AR		TK = 0,3 mm
12	24M7305	SHIM	AR		TK = 0,1 mm
13	24M7303	SHIM	1		
14	LCA98491	SPACER	1		
15	LCA58688	BALL BEARING	1		
16	24M7165	SHIM	AR		TK = 0,1 mm
16	24M7575	SHIM	AR		TK = 0,3 mm
16	LCA62761	SHIM	AR		TK = 0,5 mm
17	LCA98492	SHAFT	1		
18	LCA91711	SEAL	1		
19	LCA36868	BALL BEARING	2		
20	LCA91725	SHAFT	1		
21	40M5546	SNAP RING	1		
22	19M7604	BOLT	1		M8x80
23	LCA87842	PIN FASTENER	1		
24	LCA65598	TAPERED ROLLER BEARING	2		
25	LCA87841	SPUR GEAR	1		
26	40M1868	SNAP RING	1		
27	LCA69672	WASHER	1		
28	LCA69673	KIT	1		
29	24M7536	WASHER	1		
30	LCA27946	BALL BEARING	2		
31	LCA87749	SPUR GEAR	1		
32	LCA91726	BEARING RACE	1		
33	LCA05377	BALL BEARING	1		
34	69796	SEAL	1		
35	LCA91712	SEAL	1		
36	LCA98499	SPACER	1		
37	LCA98501	SHIM	1		TK = 1.0 mm
38	24M4813	SHIM	1		



KM000184



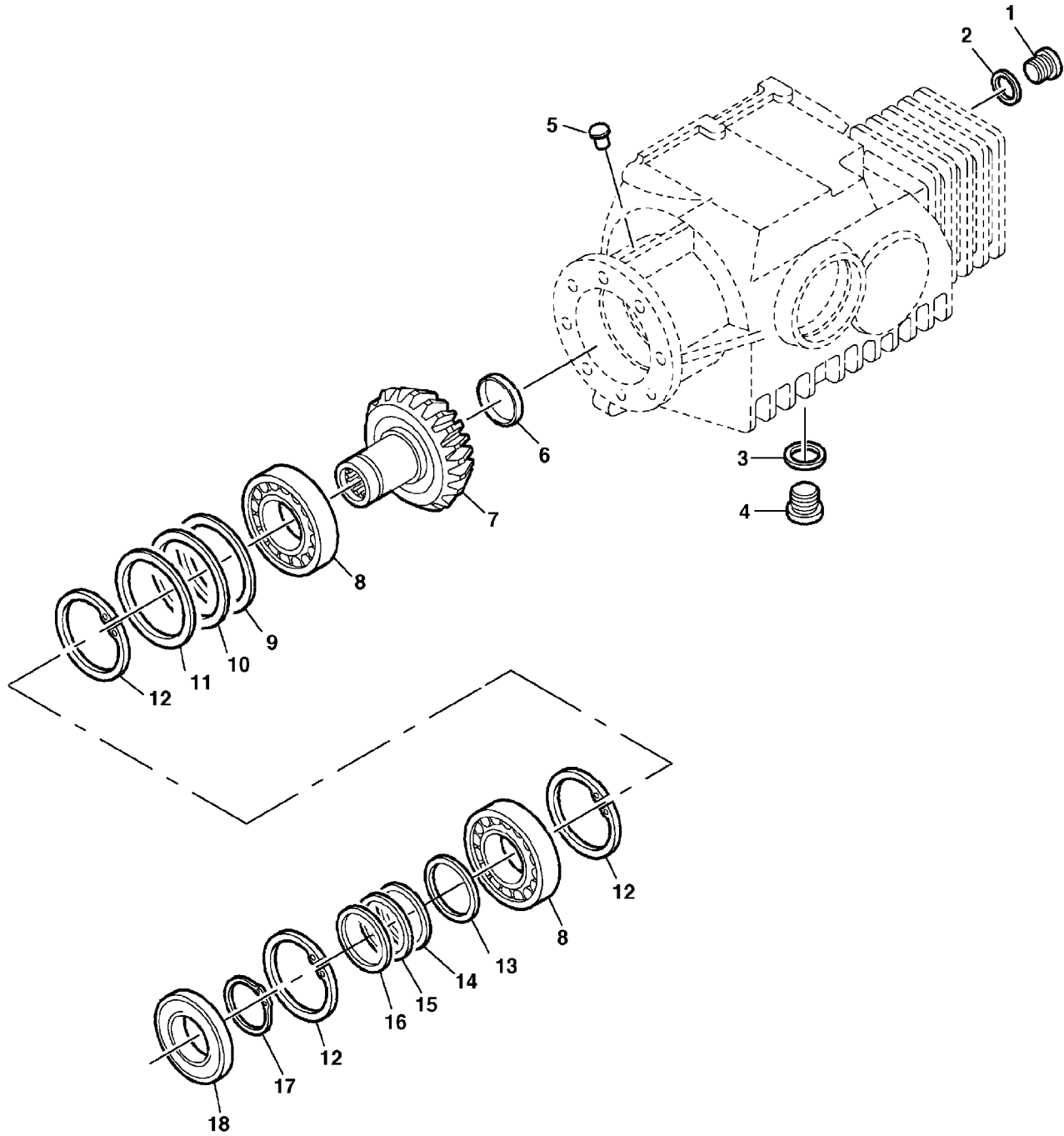
## Helical spur gear LCA98487

Item no.	Article no.	Description	Quantity	Serial No.	Remark
1	LCA05117	TAPERED ROLLER BEARING	1		
2	24M7594	WASHER	2		
3	24M4813	SHIM	AR		TK = 1.0 mm
3	24M7219	SHIM	AR		TK = 0,1 mm
3	24M7221	SHIM	AR		TK = 0,3 mm
3	24M7201	SHIM	AR		TK = 0,5 mm
4	40M1868	SNAP RING	2		
5	LCA91710	SEAL	1		
6	LCA27672	TAPERED ROLLER BEARING	1		
7	LCA87748	PINION SHAFT	1		
8	07066	BALL BEARING	1		
9	LCA87852	RATCHET	1		
10	LCA90096	SPUR GEAR	1		
11	40M7011	SNAP RING	3		
12	LCA91709	WASHER	3		
13	LCA90095	SPUR GEAR	3		
14	LCA55577	NEEDLE BEARING	3		
15	LCA87746	PIN FASTENER	3		
16	JD39125	WASHER	3		
17	LCA13009	BALL BEARING	1		
18	40M1866	SNAP RING	1		
19	40M7014	SNAP RING	1		
20	LCA87744	PLANET PINION CARRIER	1		
21	LCA91723	SHAFT	1		
22	LCA91714	SEALING WASHER	1		
23	12740	BALL BEARING	2		
24	24M7516	SHIM	1		
25	LCA13224	COMPRESSION SPRING	AR		
26	LCA56102	CAM	AR		



## Right-angle gear for transverse transport drum

Item no.	Article no.	Description	Quantity	Serial No.	Remark
1	LCA109428	HOUSING	1		
2	LCA109435	COVER	1		
3	LCA109423	SHAFT	1		
4	LCA109426	BEVEL GEAR DRIVE	1		
5	LCA110368	BEVEL GEAR DRIVE	1		
6	LCA91704	SPRING PIN	2		
7	LCA109436	NUT	1		(A)
8	LCA109427	SPACER	1		
9	LCA109434	SPACER	1		
10	LCA110365	SHIM	1		
11	LCA110366	SHIM	2		
12	LCA109422	SLIP CLUTCH	1		
13	LCA27677	BALL BEARING	2		
14	LCA50715	BALL BEARING	2		
15	LCA32048	BALL BEARING	1		
16	LCA05119	TAPERED ROLLER BEARING	1		
17	29820	TAPERED ROLLER BEARING	2		
18	LCA98120	BEARING RACE	1		
19	LCA67046	SEAL	1		
20	LCA86868	SEAL	2		
21	LCA113718	O-RING	1		
22	05812	SEALING RING	2		
23	40M7335	SNAP RING	2		
24	40M1871	SNAP RING	2		
25	24M3529	SHIM	4		
26	24M7152	SHIM	AR		TK = 0,1 mm
26	24M7166	SHIM	AR		TK = 0,3 mm
26	24M7169	SHIM	AR		TK = 0,5 mm
27	LCA110367	SHIM	2		
28	LCA113719	SHIM	1		
29	LCA113721	SHIM	2		
30	19M9736	BOLT	8		M8x16
31	LCA63274	FITTING PLUG	1		
32	11811	FITTING PLUG	1		
33	LCA29076	NUT	1		
34	LCA82131	VALVE	1		
35	LCA113720	CAP	1		
-	-	(A) See Technical Manuel			

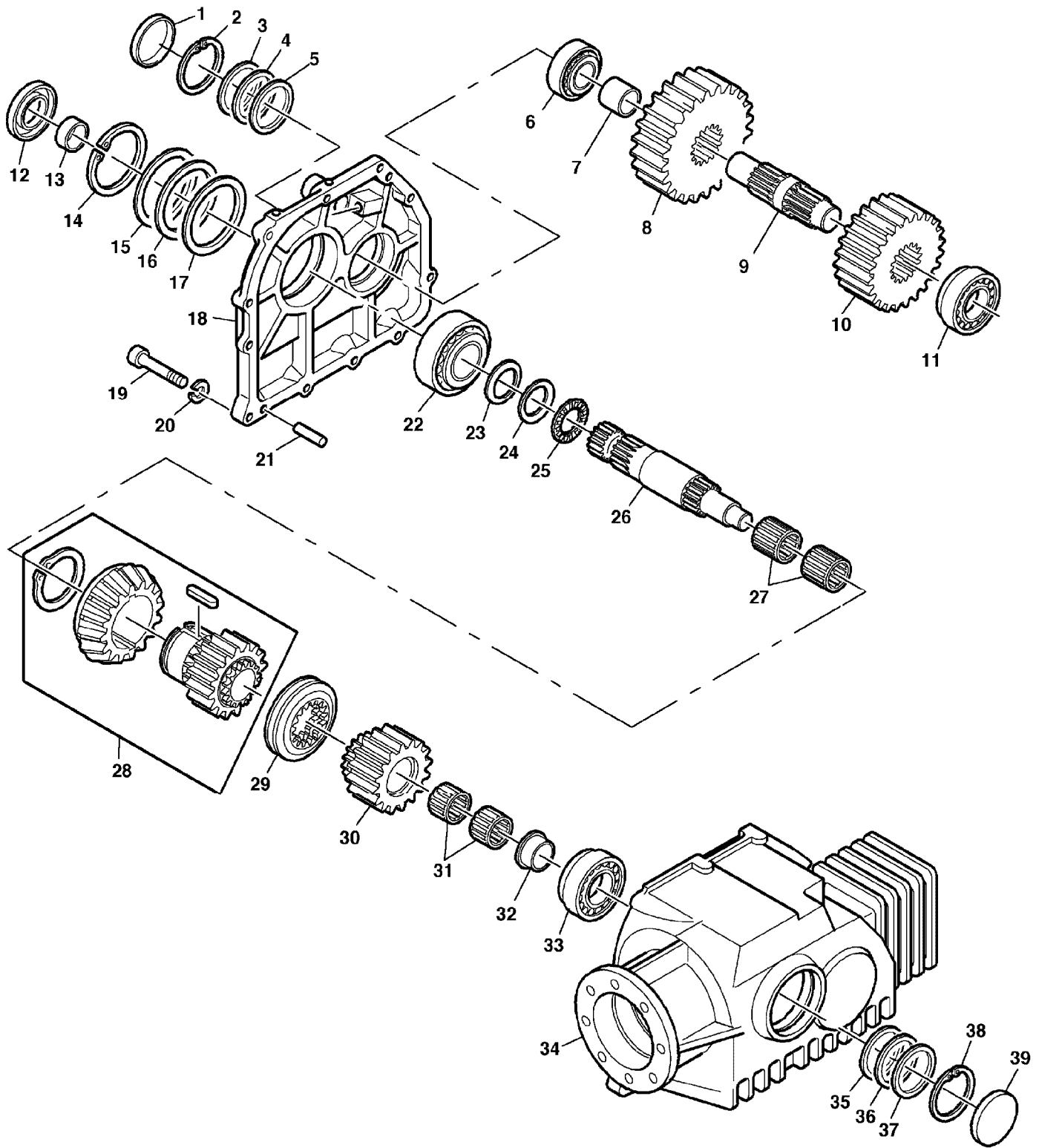


180-4442

Item no.	Article no.	Description	Quantity	Serial No.	Remark
1	LCA30567	FITTING PLUG	1		
2	LCA05813	SEALING RING	1		
3	LCA03435	SEALING RING	1		
4	LCA63274	FITTING PLUG	1		
5	LCA73062	VALVE	1		
6	LCA92101	CAP	1		
7	84492	BEVEL GEAR	1		
8	JD10063	TAPERED ROLLER BEARING	2		
9	LCA92110	SHIM	2		
10	92109	SHIM	2		
11	92108	SHIM	4		
12	40M1874	SNAP RING	3		
13	24M7516	SHIM	1		TK = 2,0 mm
14	LCA07032	SHIM	1		TK = 0,5 mm
15	LCA07031	SHIM	1		TK = 0,3 mm
16	LCA07030	SHIM	2		TK = 0,1 mm
17	40M1844	SNAP RING	1		
18	LCA73467	SEAL	1		

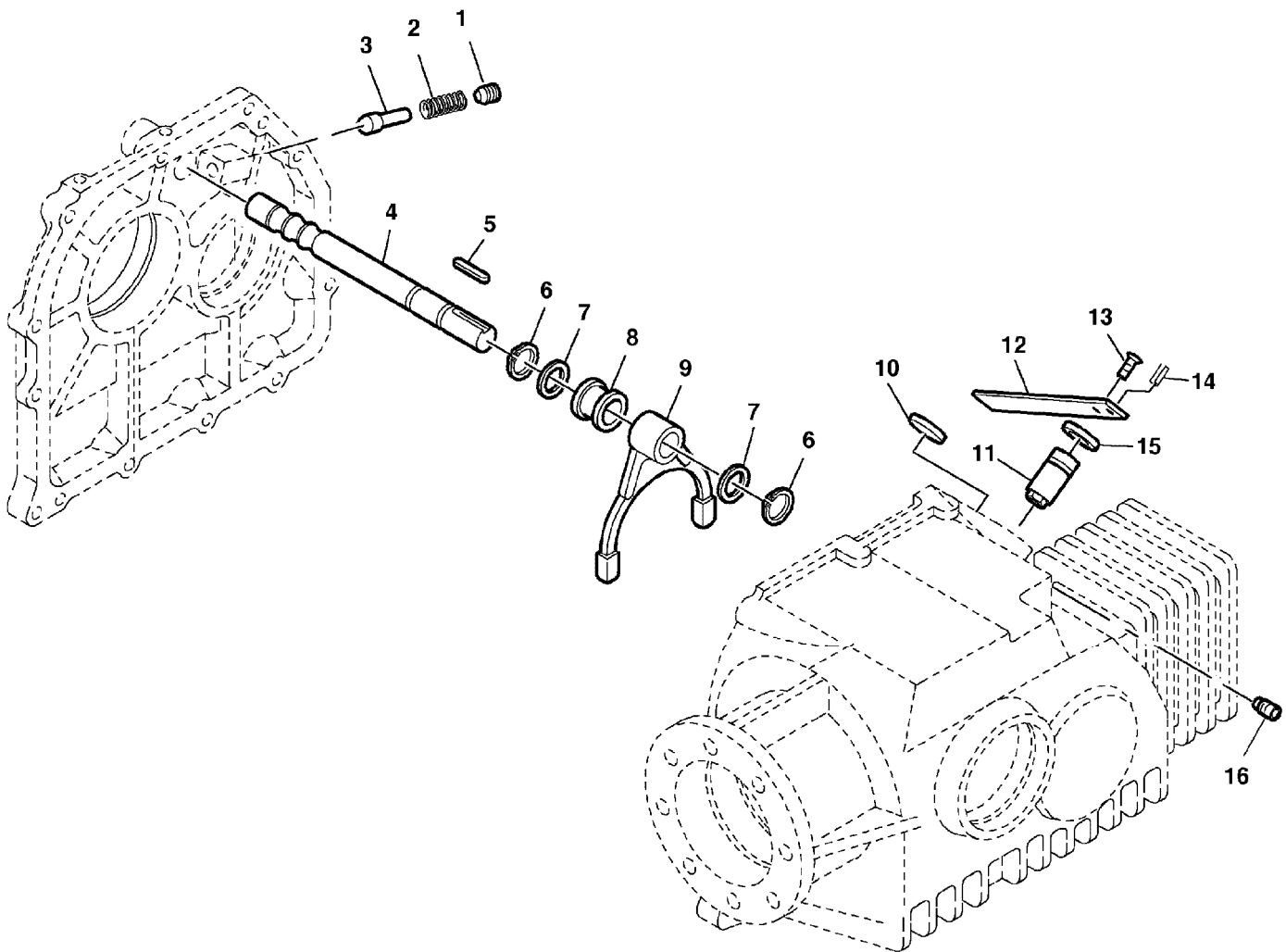
Rotary Harvesting Unit

Gearbox CL 491 - 494



180-4444

Item no.	Article no.	Description	Quantity	Serial No.	Remark
1	50092	CAP	1		
2	40M1871	SNAP RING	1		
3	LCA92104	SHIM	1		
4	LCA92103	SHIM	1		
5	LCA92102	SHIM	2		
6	LCA05118	TAPERED ROLLER BEARING	1		
7	62614	BUSHING	1		
8	84493	SPUR GEAR	1		
9	84496	SHAFT	1		
10	LCA84495	SPUR GEAR	1		
11	LCA28916	TAPERED ROLLER BEARING	1		
12	LCA66749	SEAL	1		
13	92100	BEARING RACE	1		
14	40M1874	SNAP RING	1		
15	LCA92110	SHIM	2		
16	92109	SHIM	2		
17	92108	SHIM	4		
18	LCA84487	COVER	1		
19	19M9706	BOLT	11		M10x35
20	LCA40940	LOCK WASHER	11		
21	73044	PIN	2		
22	LCA75900	TAPERED ROLLER BEARING	1		
23	84499	WASHER	1		
24	61208	WASHER	1		
25	LCA92099	NEEDLE BEARING	1		
26	84488	SHAFT	1		
27	LCA65599	NEEDLE BEARING	2		
28	84489	GEAR	1		
29	LCA81867	SHIFT COLLAR	1		
30	LCA84494	SPUR GEAR	1		
31	55022	NEEDLE BEARING	2		
32	LCA81868	BUSHING	1		
33	LCA05119	TAPERED ROLLER BEARING	1		
34	.....	.....	1		NSEP
35	LCA92107	SHIM	1		
36	LCA92106	SHIM	1		
37	LCA92105	SHIM	2		
38	40M1873	SNAP RING	1		
39	LCA83053	CAP	1		

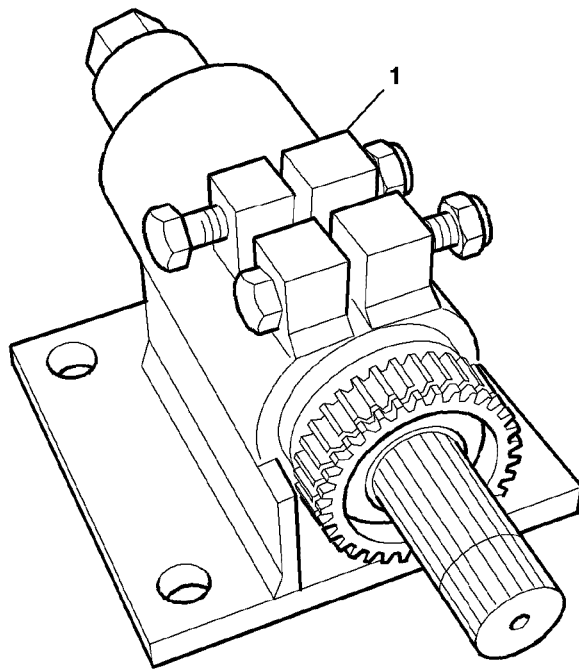


180-4446



Item no.	Article no.	Description	Quantity	Serial No.	Remark
1	73058	PIN	1		
2	LCA73048	COMPRESSION SPRING	1		
3	LCA69450	LCA69450	1		
4	84497	SHIFTER ROD	1		
5	53324	SHAFT KEY	1		
6	40M7010	SNAP RING	2		
7	24M4808	SHIM	2		TK = 1,0 mm
8	84501	Bushing	1		
9	84498	SHIFTER	1		
10	LCA91699	CAP	1		
11	84500	SHIFTER ROD	1		
12	84502	GEARSHIFT LEVER	1		
13	46913	SCREW	1		
14	50608	SPRING PIN	1		
15	49060	SEAL	1		
16	28283	PIN	1		

Torque checking device



ZX036101

---

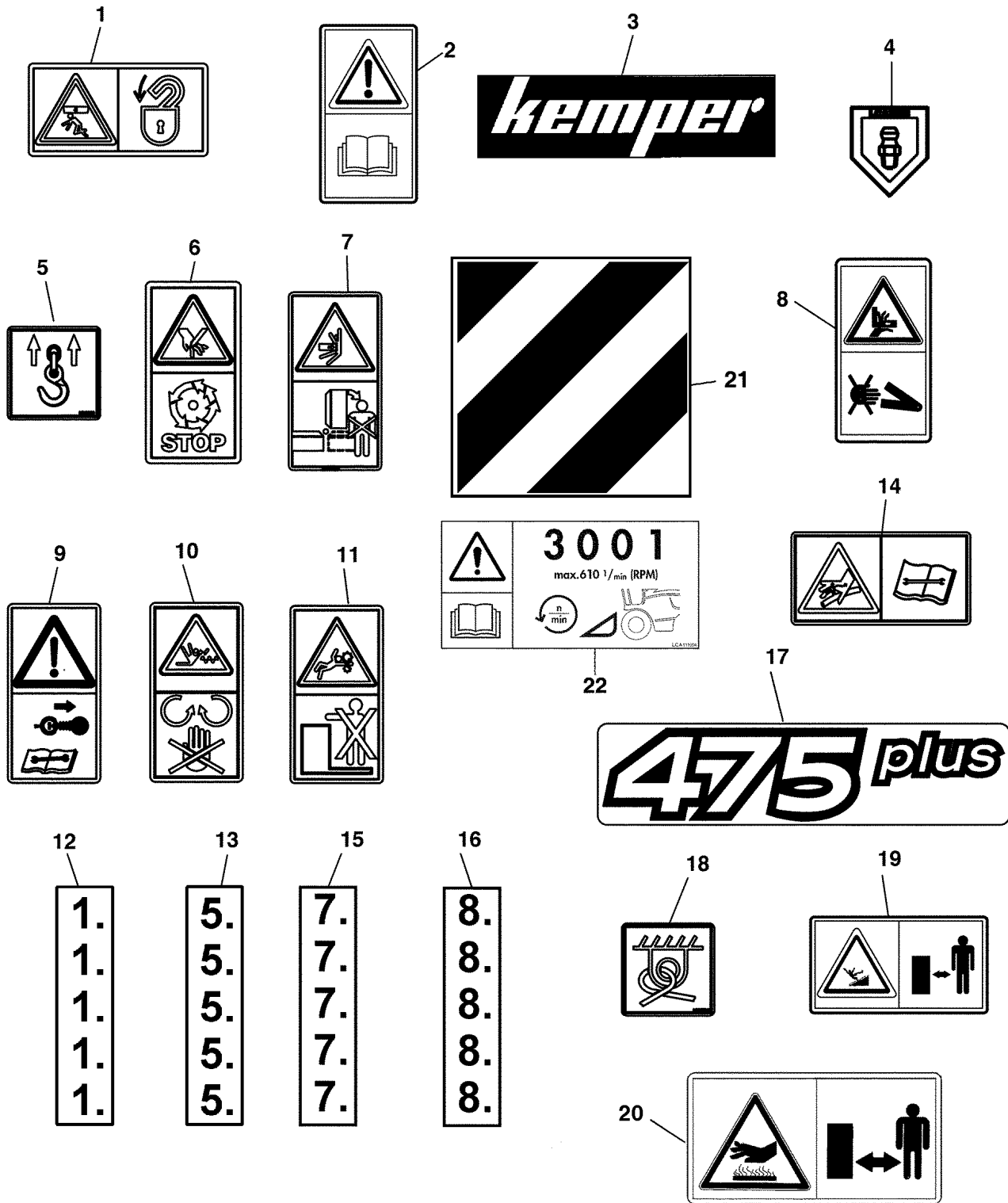
**Rotary Harvesting Unit****Torque checking device**

---

Item no.	Article no.	Description	Quantity	Serial No.	Remark
1	LCA78440	MEASUREMENT/TEST EQUIPMENT	1		Info 3545

---

Labels

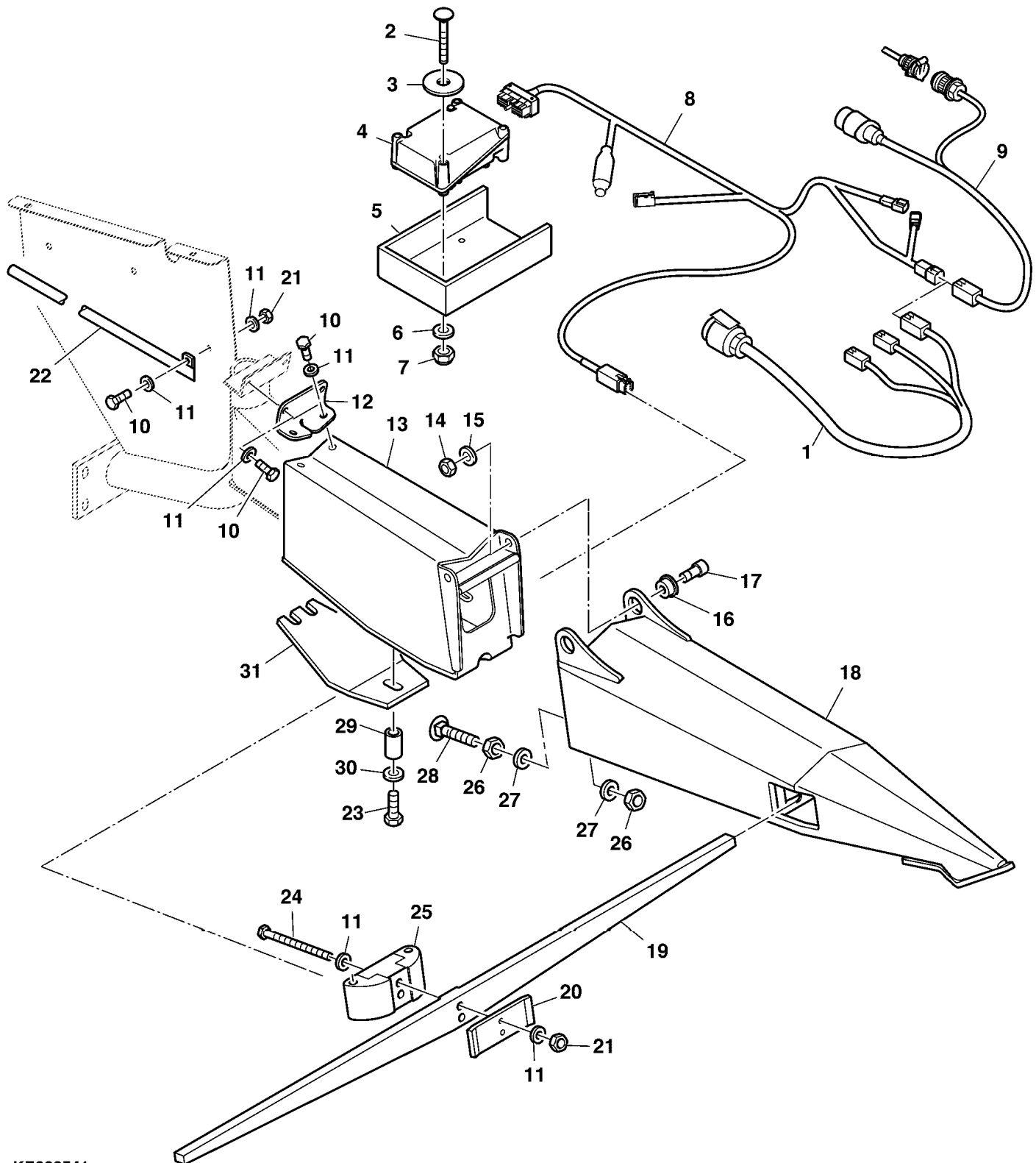


KE000478

## Labels

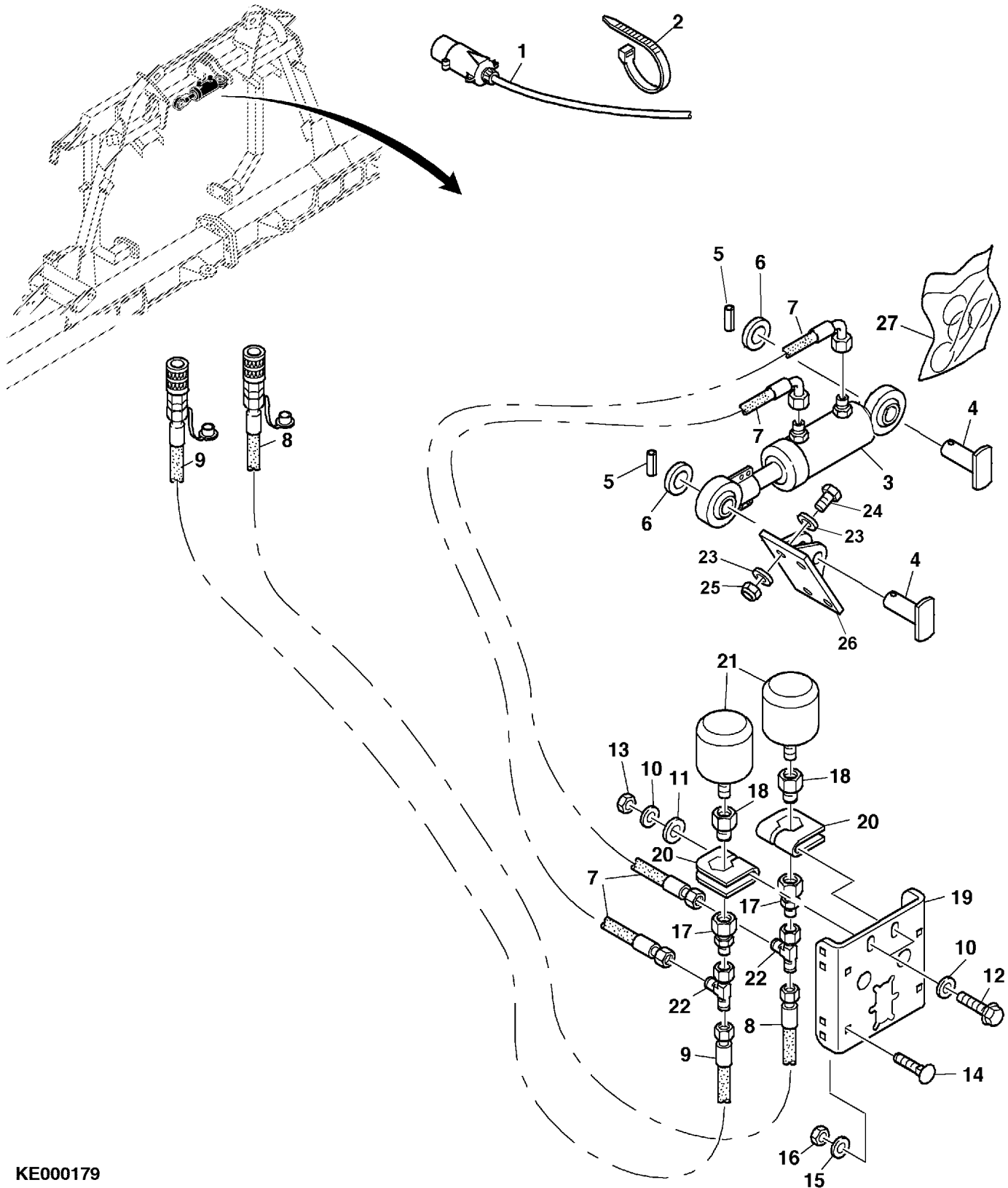
Item no.	Article no.	Description	Quantity	Serial No.	Remark
1	CC40259	LABEL	2		
2	CC40740	LABEL	2		
3	LCA63260	LABEL	2		
4	LCA30843	LABEL	6		
5	LCA53616	LABEL	4		
6	LCA66505	LABEL	2		
7	LCA66507	LABEL	2		
8	LCA68600	LABEL	2		
9	LCA68622	LABEL	1		
10	LCA68623	LABEL	1		
11	LCA73056	LABEL	2		
12	LCA104307	LABEL	1		
13	LCA104306	LABEL	1		
14	LCA102139	LABEL	1		
15	LCA103897	LABEL	1		
16	LCA103898	LABEL	2		
17	LCA107975	LABEL	2		
18	LCA108110	LABEL	1		
19	Z60640	LABEL	2		
20	Z59871	LABEL	1		
21	LCA101947	SAFETY SIGN			(A)
22	LCA111504	LCA111504	1		Claas NSEP
-	-	(A) For France only			

Steering aid



KE000541

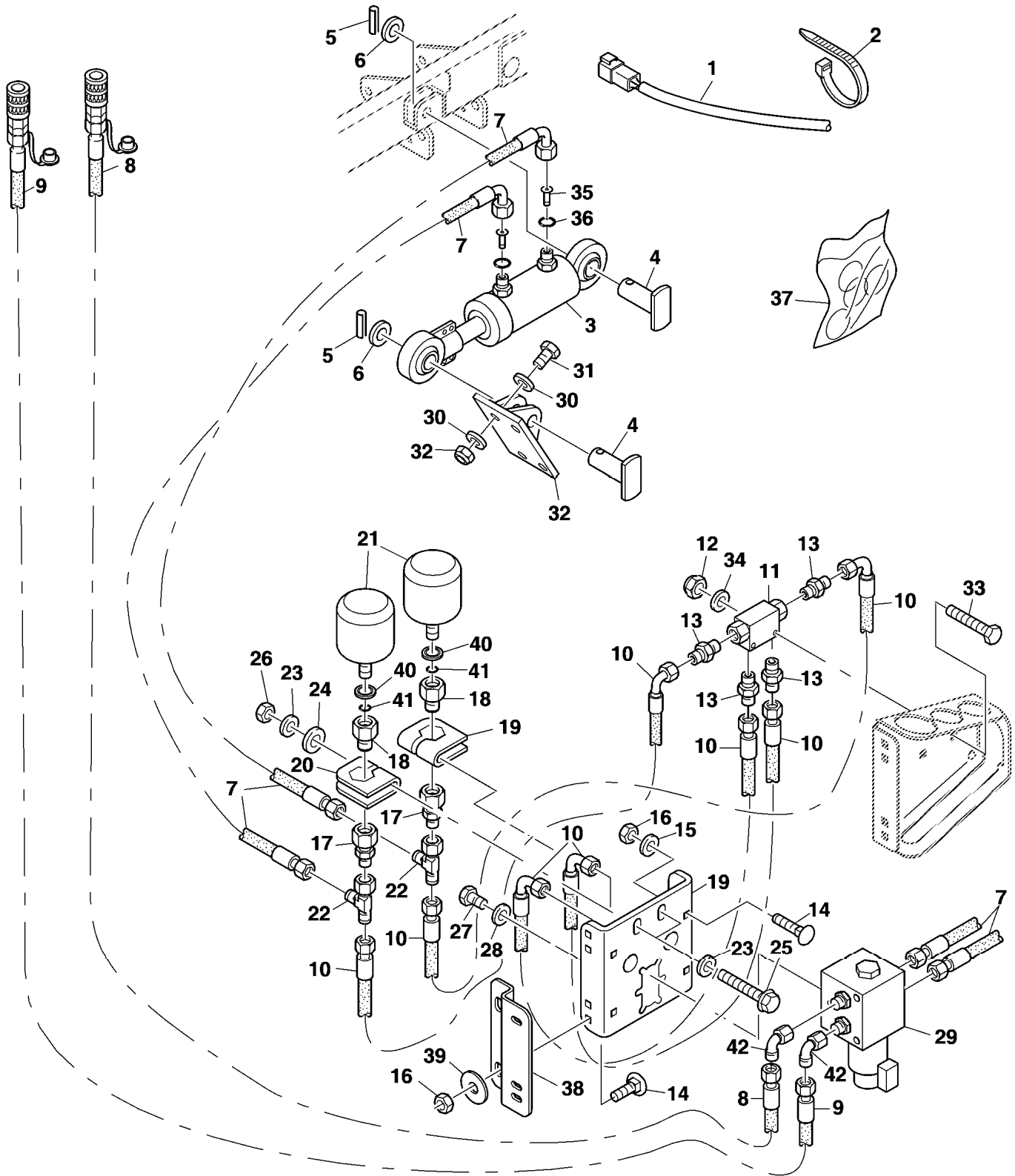
Item no.	Article no.	Description	Quantity	Serial No.	Remark
1	LCA98456	WIRING HARNESS	1		CLAAS 494-496
2	03M7407	SCREW	2		M8x80
3	24M7484	WASHER	2		
4	LCA99997	CIRCUIT BOX	1		CLAAS 492-496
4	LCA111713	WIRING HARNESS	1		CLAAS 497
5	LCA97275	GUARD	1		
6	24M7036	WASHER	2		
7	14M7659	NUT	2		M8
8	LCA99884	WIRING HARNESS	1		
9	LCA106136	WIRING HARNESS	1		CLAAS 492-493
10	19M9682	CAP SCREW	AR		M8x20
11	LCA84221	LOCK WASHER	AR		
12	98957	RETAINER	1		
13	98442	ADAPTER FITTING	1		
14	14M7662	NUT	2		M12
15	LCA72740	LOCK WASHER	2		
16	LCA66147	BUSHING	2		
17	19M9553	BOLT	2		M12x25
18	97990	GATHERER POINT	1		
19	LCA98912	PADDLE	1		
20	LCA98913	SHEET	1		
21	14M7624	NUT	AR		M8
22	LCA98454	GUARD	1		
23	19M10121	CAP SCREW	3		M12x55
24	19M9625	CAP SCREW	2		M8x100
25	LCA98911	SENSOR	1		
26	14M7616	NUT	2		M16
27	LCA89595	LOCK WASHER	2		
28	03M7461	SCREW	1		M16x80
29	LCA59390	TUBE	3		
30	24M7491	WASHER	3		
31	LCA118533	ADAPTER KIT	1		
....	103602	ADAPTER KIT	1		Info 3650
...	103603	ADAPTER KIT	1		Info 3651
...	106105	ADAPTER KIT	1		Info 3683



KE000179

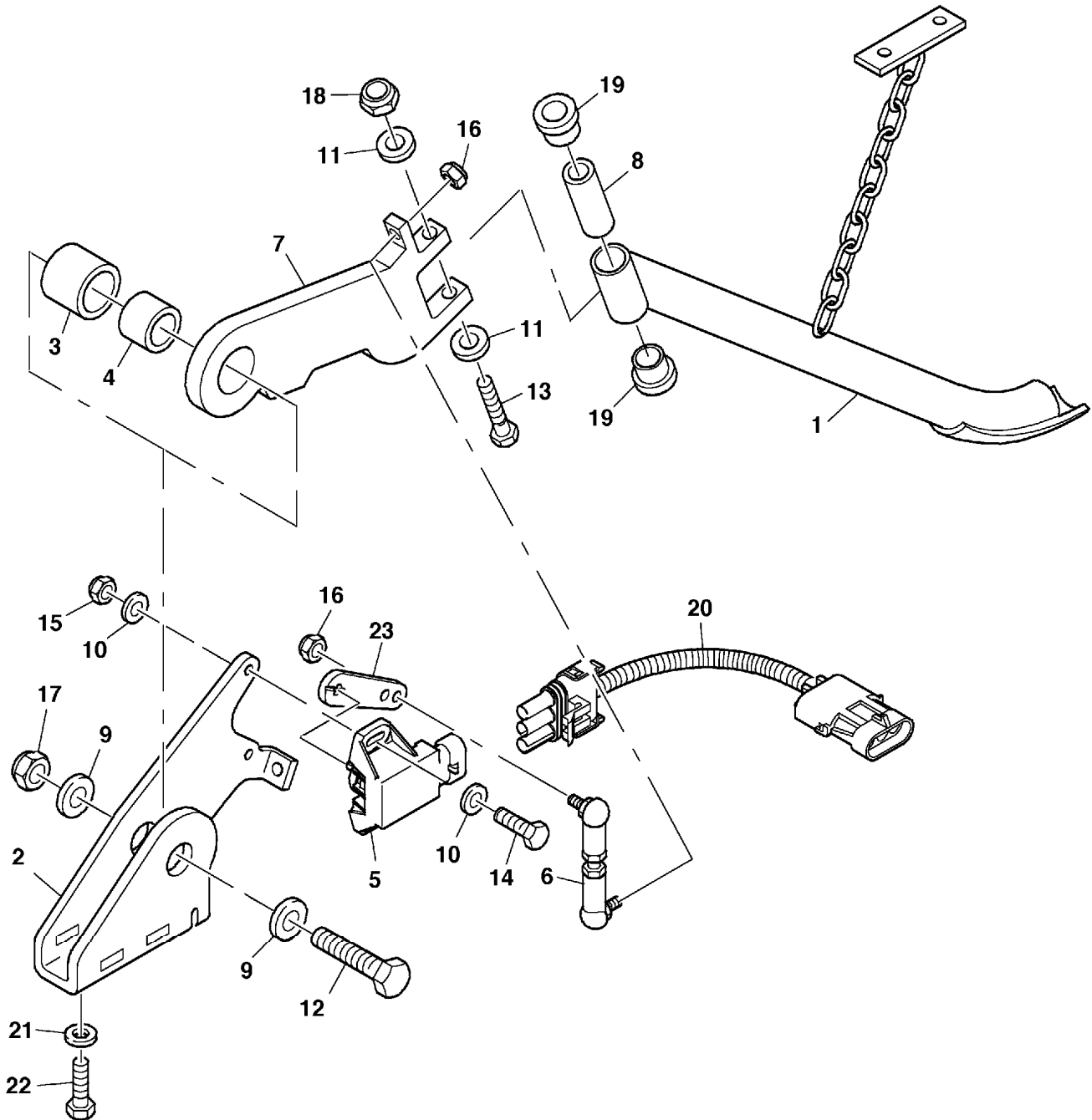


Item no.	Article no.	Description	Quantity	Serial No.	Remark
1	90210	KIT	1		
2	LCA44646	TIE BAND	AR		
3	LCA92636	HYDRAULIC CYLINDER	1		
4	LCA90825	PIN FASTENER	2		
5	34M7312	SPRING PIN	2		
6	24M7540	WASHER	7		
7	LCA102087	HYDRAULIC HOSE	2		
8	LCA90831	HYDRAULIC HOSE	1		
9	LCA90832	HYDRAULIC HOSE	1		
10	LCA71878	LOCK WASHER	4		
11	24M7477	WASHER	2		
12	19M10217	CAP SCREW	2		M10x70
13	14M7614	NUT	2		M10
14	03M7404	BOLT	2		M8x20
15	24M7509	WASHER	2		
16	14M7659	NUT	2		M8
17	LCA61059	PIPE BUSHING	2		
18	LCA32393	UNION FITTING	2		
19	LCA103634	RETAINER	1		
20	LCA103633	RETAINER	2		
21	LCA86212	PNEUMATIC ACCUMULATOR	2		
22	LCA51184	FITTING	2		
23	24M7488	WASHER	8		
24	19M9966	CAP SCREW	4		M10x45
25	14M7660	NUT	4		M10
26	104150	RETAINER	1		
27	LCA86960	GASKET KIT	1		
....	104081	Height contro	1		



KE000446

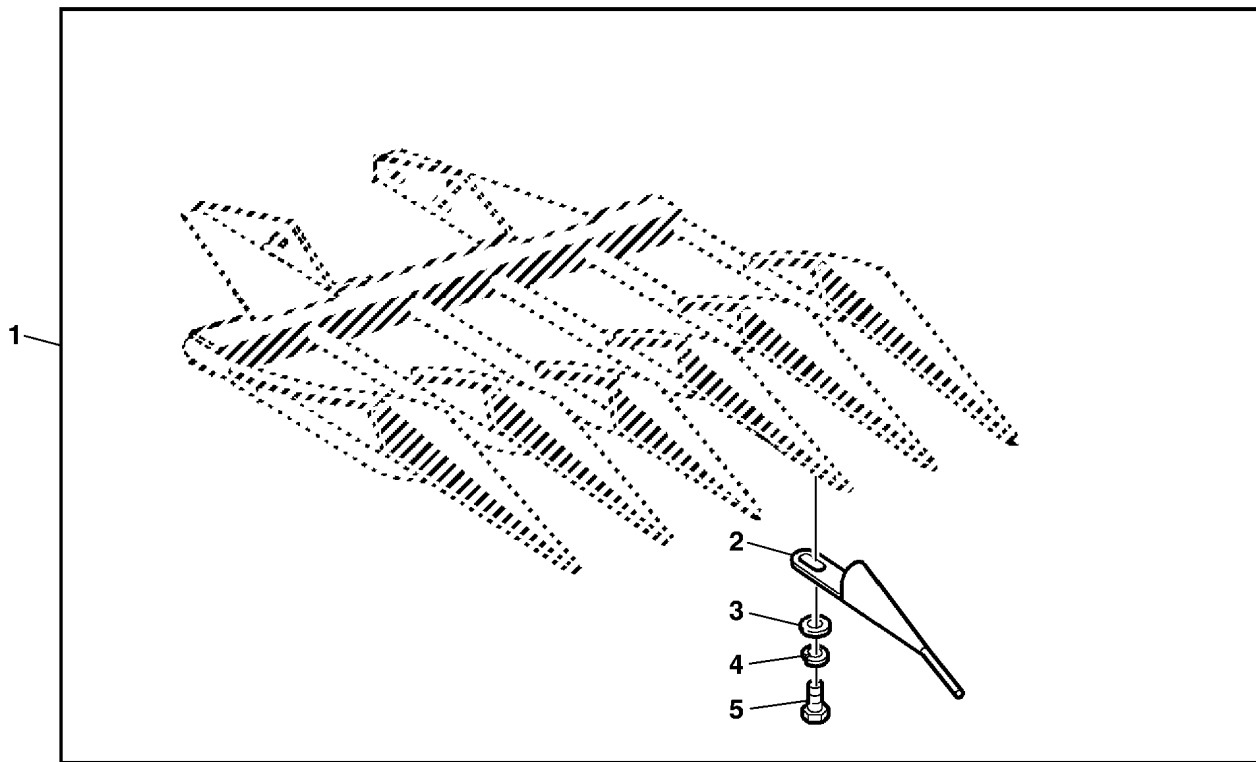
Item no.	Article no.	Description	Quantity	Serial No.	Remark
1	LCA95308	WIRING HARNESS	1		
2	LCA44646	TIE BAND	AR		
3	LCA92636	HYDRAULIC CYLINDER	1		
4	LCA90825	PIN FASTENER	2		
5	34M7312	SPRING PIN	2		
6	24M7540	WASHER	7		
7	LCA102087	HYDRAULIC HOSE	4		
8	LCA90831	HYDRAULIC HOSE	1		
9	LCA90832	HYDRAULIC HOSE	1		
10	LCA40152	HYDRAULIC HOSE	4		
11	LCA67042	VALVE	1		
12	14M7663	NUT	2		M5
13	LCA40165	FITTING	4		
14	03M7404	BOLT	2		M8x20
15	24M7509	WASHER	2		
16	14M7659	NUT	2		M8
17	LCA104146	Fitting	2		
18	LCA104145	UNION FITTING	2		
19	LCA103634	RETAINER	1		
20	LCA103633	RETAINER	2		
21	LCA86212	PNEUMATIC ACCUMULATOR	2		
22	LCA74847	UNION FITTING	2		
23	LCA71878	LOCK WASHER	4		
24	24M7477	WASHER	2		
25	19M10217	CAP SCREW	2		M10x70
26	14M7614	NUT	2		M10
27	19M9681	CAP SCREW	3		M8x16
28	LCA84221	LOCK WASHER	3		
29	LCA99799	VALVE	1		
30	LCA40176	RESTRICTOR	2		
31	LCA40287	O-RING	2		
32	LCA86960	GASKET KIT	1		
33	19M10045	SCREW	2		M5x50
34	24M7502	WASHER	2		
35	LCA40176	RESTRICTOR	2		
36	LCA40287	O-RING	2		
37	LCA86960	GASKET KIT	1		
38	LCA107485	SHEET	1		
39	24M7508	WASHER	2		
40	LCA109992	O-RING	2		
41	LCA109993	RING	2		
42	LCA88402	UNION FITTING	2		
....	104082	KIT	1		



KE000197

## Electrical system Claas Auto Contour 491 - 494

Item no.	Article no.	Description	Quantity	Serial No.	Remark
1	LCA103627	ARM	2		INCL. KEY 19
2	LCA95848	RETAINER	2		
3	LCA95845	BUSHING	2		
4	LCA95825	BUSHING	2		
5	90237	SENSOR	2		
6	LCA95820	BALL JOINT	2		
7	LCA94716	RETAINER	2		
8	LCA94568	TUBE	2		
9	LCA72740	LOCK WASHER	4		
10	24M7501	WASHER	8		
11	24M7488	WASHER	4		
12	19M9692	CAP SCREW	2		M12x45
13	19M9592	CAP SCREW	2		M10x90
14	19M9473	BOLT	4		M4x20
15	14M7671	NUT	4		M4
16	14M7668	LOCK NUT	4		M6
17	14M7662	NUT	2		M12
18	14M7660	NUT	2		M10
19	LCA01657	BUSHING	4		
20	LCA96679	WIRING HARNESS	2		
21	LCA71878	LOCK WASHER	4		
22	19M9639	CAP SCREW	4		M10x25
23	LCA92613	LEVER	2		

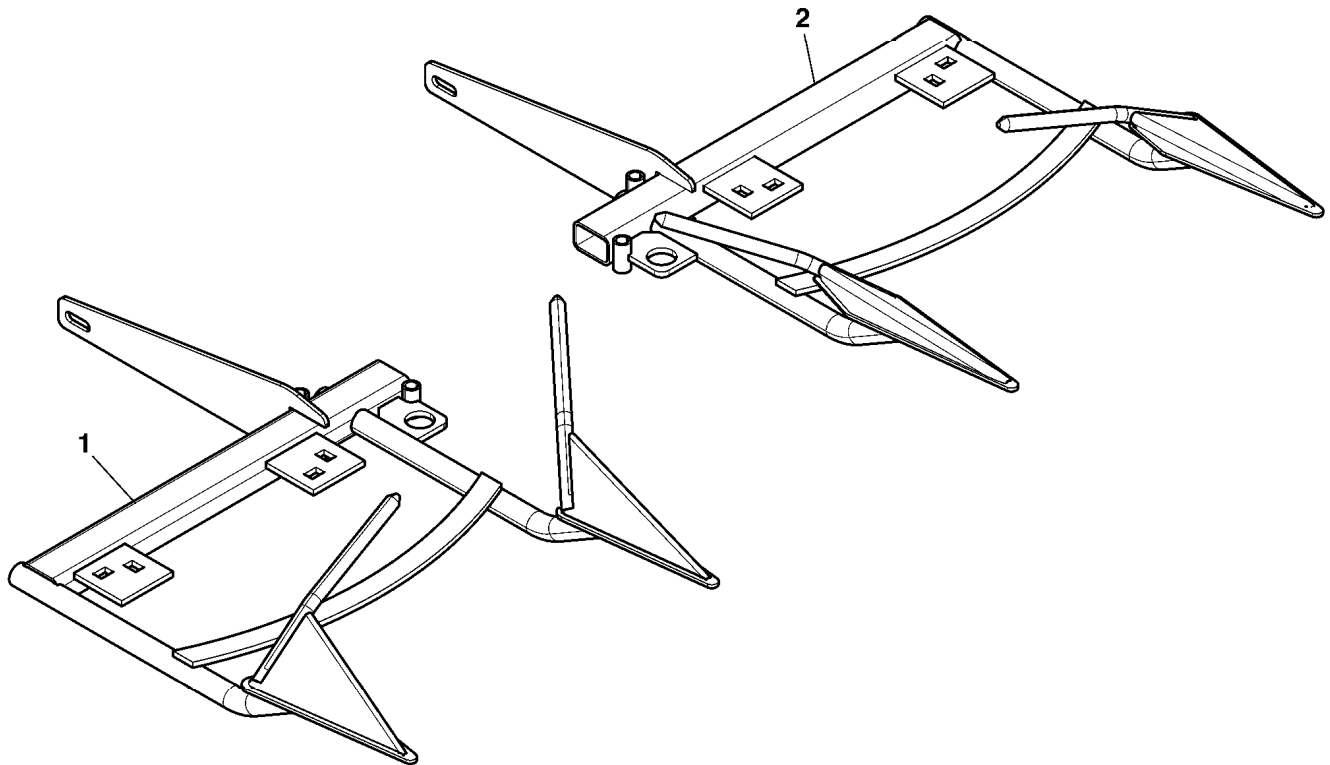
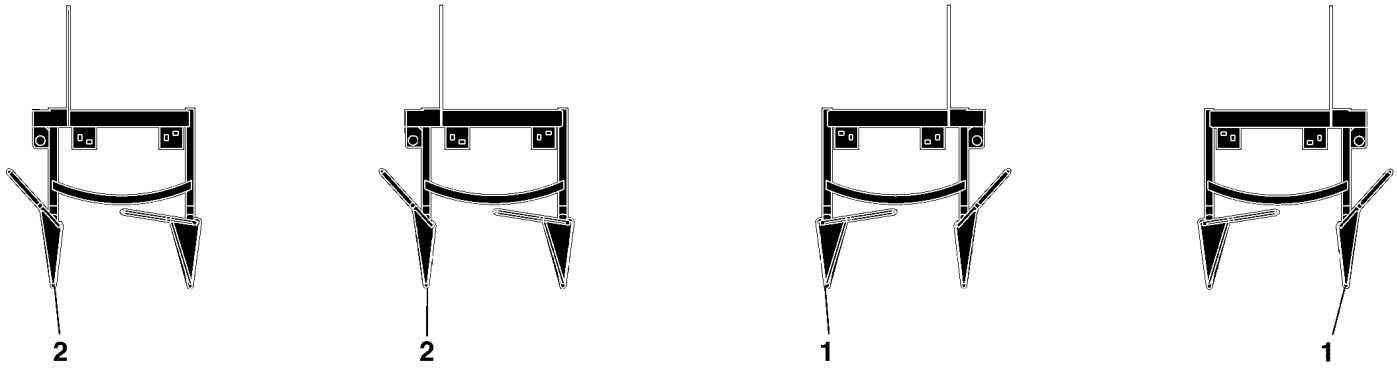


KM001735

**Rotary Harvesting Unit****Special equipment**

Item no.	Article no.	Description	Quantity	Serial No.	Remark
1	LCA79050	KIT	AR		(A)
2	LCA55964	GATHERER POINT	AR		
3	24M7488	WASHER	AR		
4	LCA04218	LOCK WASHER	AR		
5	19M9640	CAP SCREW	AR		M10x30
-	-	(A) One service kit is for two gatherer drums			

KM001565



KM001565



Item no.	Article no.	Description	Quantity	Serial No.	Remark
1	115655	GATHERER POINT	1	from SN 128912	
2	115656	GATHERER POINT	1	from SN 128912	
.....	115654	115654	1	from SN 128912	

Index			Index			Index		
Article no.	Item no.	Page	Article no.	Item no.	Page	Article no.	Item no.	Page
-	-	19	103602	....	127	114612	1	19
-	-	21	103603	...	127	114612	11	21
-	-	23	104081	....	129	114612	11	23
-	-	27	104082	....	131	115188	17	63
-	-	29	104150	26	129	115189	18	63
-	-	31	104555	38	7	115193	....	63
-	-	33	106105	...	127	115654	....	137
-	-	115	106335	2	51	115655	1	137
-	-	125	106336	1	51	115656	2	137
-	-	135	106979	24	35	115749	19	25
...	17	99	106980	25	35	115752	20	25
...	17	101	107407	15	11	117172	5	43
.....	19	85	107819	11	53	117590	1	15
03431	31	87	107820	12	53	117591	2	15
03431	32	95	107825	13	53	117592	3	15
03M7393	1	7	107826	14	53	117760	13	11
03M7393	1	33	107947	21	27	117761	14	11
03M7403	1	45	107948	22	27	118009	11	29
03M7404	28	25	109530	27	45	118010	12	29
03M7404	2	45	109531	28	45	11811	32	115
03M7404	14	129	111006	23	25	11858	10	95
03M7404	14	131	111178	26	25	11M7110	2	7
03M7405	1	25	111193	33	7	12740	31	97
03M7405	1	39	111571	1	23	12740	23	107
03M7405	1	59	111572	19	21	12740	23	113
03M7405	1	61	111572	19	23	12M7133	14	81
03M7405	1	63	111595	....	19	12M7135	18	81
03M7405	25	75	111595	....	23	12M7135	12	93
03M7407	2	127	111596	....	21	14M7296	5	39
03M7408	1	35	111596	....	23	14M7296	1	53
03M7408	2	39	111794	1	21	14M7296	3	59
03M7420	2	35	113283	27	25	14M7296	2	61
03M7461	28	127	113397	4	57	14M7299	6	39
03M7472	3	39	113398	5	57	14M7396	29	25
05812	6	81	113676	40	7	14M7400	2	59
05812	22	115	113863	11	61	14M7610	8	31
06241	5	21	113864	12	61	14M7614	2	33
06241	5	23	113869	21	45	14M7614	3	35
07066	10	83	113870	22	45	14M7614	14	43
07066	8	107	114521	19	45	14M7614	26	75
07066	8	113	114522	20	45	14M7614	13	129
100090	5	29	114576	13	63	14M7614	26	131
100091	6	29	114577	14	63	14M7616	3	7
102931	9	61	114583	9	37	14M7616	2	11
102931	11	63	114584	8	37	14M7616	15	21
102932	10	61	114593	15	63	14M7616	15	23
102932	12	63	114596	...	9	14M7616	26	127

Index			Index			Index		
Article no.	Item no.	Page	Article no.	Item no.	Page	Article no.	Item no.	Page
14M7617	1	27	15M7090	1	73	19M9593	6	45
14M7624	13	43	15M7091	9	81	19M9599	7	45
14M7624	2	67	15M7091	9	103	19M9601	7	49
14M7624	21	127	15M7091	9	109	19M9603	3	13
14M7629	2	27	19M10030	3	27	19M9619	11	65
14M7659	4	7	19M10030	1	29	19M9625	24	127
14M7659	3	11	19M10030	5	49	19M9635	6	7
14M7659	4	15	19M10030	3	57	19M9638	7	7
14M7659	7	31	19M10045	33	131	19M9638	6	21
14M7659	3	33	19M10047	3	47	19M9638	5	35
14M7659	3	45	19M10058	5	19	19M9638	3	51
14M7659	7	77	19M10058	12	21	19M9638	4	63
14M7659	7	127	19M10058	12	23	19M9639	8	7
14M7659	16	129	19M10058	8	25	19M9639	1	37
14M7659	16	131	19M10082	23	67	19M9639	3	61
14M7660	4	11	19M10121	23	127	19M9639	17	75
14M7660	1	13	19M10125	4	13	19M9639	22	133
14M7660	2	25	19M10163	19	81	19M9640	11	31
14M7660	4	45	19M10217	12	129	19M9640	12	39
14M7660	8	51	19M10217	25	131	19M9640	12	43
14M7660	2	63	19M10296	2	53	19M9640	9	51
14M7660	25	129	19M10371	9	25	19M9640	2	69
14M7660	18	133	19M10432	13	39	19M9640	2	71
14M7661	18	21	19M7604	22	105	19M9640	27	75
14M7661	18	23	19M7604	22	111	19M9640	5	135
14M7661	1	67	19M7807	7	39	19M9641	6	11
14M7662	5	7	19M7835	4	59	19M9646	8	15
14M7662	3	25	19M8658	6	103	19M9647	2	29
14M7662	4	35	19M8658	6	109	19M9647	9	39
14M7662	14	127	19M8676	11	103	19M9648	6	35
14M7662	17	133	19M8676	11	109	19M9648	10	39
14M7663	1	55	19M8761	4	33	19M9648	17	41
14M7663	12	131	19M9261	3	53	19M9648	4	61
14M7668	3	17	19M9466	4	27	19M9648	5	63
14M7668	16	133	19M9473	3	55	19M9648	16	75
14M7670	2	13	19M9473	14	133	19M9649	2	37
14M7670	10	21	19M9553	17	127	19M9649	11	39
14M7670	10	23	19M9570	2	57	19M9649	11	43
14M7670	4	39	19M9571	8	39	19M9649	9	45
14M7670	1	41	19M9571	1	69	19M9650	3	29
14M7670	5	45	19M9571	1	71	19M9650	3	69
14M7671	2	55	19M9585	20	71	19M9650	3	71
14M7671	15	133	19M9586	4	53	19M9651	4	25
14M7685	13	31	19M9587	5	53	19M9651	18	75
15M2714	2	81	19M9589	3	63	19M9656	26	99
15M7021	20	81	19M9592	5	11	19M9657	5	25
15M7026	18	93	19M9592	13	133	19M9659	9	7

Index			Index			Index		
Article no.	Item no.	Page	Article no.	Item no.	Page	Article no.	Item no.	Page
19M9659	31	25	19M9741	8	97	24M7304	19	101
19M9659	19	89	19M9741	12	103	24M7304	12	105
19M9660	10	7	19M9741	12	109	24M7304	12	111
19M9660	16	41	19M9759	7	27	24M7305	20	101
19M9674	2	17	19M9901	8	11	24M7305	12	105
19M9674	14	93	19M9951	24	67	24M7305	12	111
19M9680	5	27	19M9966	24	129	24M7317	20	97
19M9680	10	43	21M7617	4	55	24M7319	9	87
19M9681	6	25	22M7113	7	103	24M7375	10	105
19M9681	27	131	22M7113	7	109	24M7375	10	111
19M9682	7	11	24M3529	25	115	24M7450	9	87
19M9682	6	15	24M3535	3	73	24M7477	10	25
19M9682	20	21	24M3535	15	75	24M7477	3	37
19M9682	20	23	24M4808	7	121	24M7477	11	129
19M9682	7	25	24M4813	50	9	24M7477	24	131
19M9682	6	27	24M4813	19	83	24M7478	4	37
19M9682	5	31	24M4813	34	105	24M7478	11	45
19M9682	10	45	24M4813	3	107	24M7478	5	61
19M9682	6	77	24M4813	38	111	24M7478	6	63
19M9682	10	127	24M4813	3	113	24M7479	11	7
19M9683	14	31	24M7036	8	77	24M7479	11	25
19M9683	9	43	24M7036	6	127	24M7482	15	31
19M9684	4	19	24M7152	26	115	24M7482	6	43
19M9684	9	31	24M7154	6	105	24M7483	14	39
19M9692	2	41	24M7154	6	111	24M7484	5	13
19M9692	26	69	24M7164	4	87	24M7484	3	127
19M9692	12	133	24M7165	15	87	24M7488	9	11
19M9693	3	41	24M7165	16	105	24M7488	21	53
19M9693	11	67	24M7165	16	111	24M7488	7	63
19M9704	2	73	24M7166	26	115	24M7488	23	129
19M9704	13	93	24M7168	6	105	24M7488	11	133
19M9705	25	67	24M7168	6	111	24M7488	3	135
19M9706	15	103	24M7169	26	115	24M7489	12	7
19M9706	15	109	24M7199	18	101	24M7489	5	51
19M9706	19	119	24M7199	12	105	24M7491	13	7
19M9708	10	93	24M7199	12	111	24M7491	6	13
19M9714	4	69	24M7201	3	107	24M7491	30	127
19M9714	4	71	24M7201	3	113	24M7493	7	35
19M9715	5	69	24M7219	26	83	24M7493	15	41
19M9715	5	71	24M7219	3	107	24M7493	12	45
19M9724	11	81	24M7219	3	113	24M7493	6	53
19M9736	30	115	24M7221	26	83	24M7497	10	11
19M9738	10	97	24M7221	3	107	24M7497	22	67
19M9739	17	103	24M7221	3	113	24M7501	28	55
19M9739	17	109	24M7300	23	87	24M7501	10	133
19M9740	4	103	24M7303	13	105	24M7502	5	55
19M9740	4	109	24M7303	13	111	24M7502	34	131

Index			Index			Index		
Article no.	Item no.	Page	Article no.	Item no.	Page	Article no.	Item no.	Page
24M7503	6	55	40M1835	7	87	40M7014	5	77
24M7508	7	15	40M1835	17	95	40M7014	24	87
24M7508	20	53	40M1835	18	105	40M7014	20	91
24M7508	39	131	40M1841	5	73	40M7014	18	95
24M7509	14	7	40M1841	3	105	40M7014	19	107
24M7509	11	11	40M1841	3	111	40M7014	19	113
24M7509	22	21	40M1843	22	101	40M7187	13	85
24M7509	7	23	40M1844	17	117	40M7200	8	73
24M7509	12	25	40M1858	9	93	40M7200	21	101
24M7509	6	31	40M1866	18	107	40M7257	7	85
24M7509	15	129	40M1866	18	113	40M7296	8	93
24M7509	15	131	40M1868	33	99	40M7302	27	83
24M7515	8	83	40M1868	26	105	40M7302	16	85
24M7516	24	107	40M1868	4	107	40M7335	2	83
24M7516	24	113	40M1868	26	111	40M7335	23	115
24M7516	13	117	40M1868	4	113	40M7349	16	7
24M7529	30	25	40M1871	28	83	40M7360	9	21
24M7536	4	73	40M1871	2	87	40M7360	9	23
24M7536	29	105	40M1871	15	89	40M7375	2	99
24M7536	29	111	40M1871	21	91	44M7152	8	103
24M7540	6	129	40M1871	19	95	44M7152	8	109
24M7540	6	131	40M1871	24	97	46913	13	121
24M7553	8	21	40M1871	16	101	49060	15	121
24M7553	8	23	40M1871	24	115	50092	1	119
24M7569	21	97	40M1871	2	119	50607	3	81
24M7569	19	99	40M1873	6	73	50608	14	121
24M7570	9	87	40M1873	21	83	51M4232	15	93
24M7575	15	87	40M1873	15	97	51M7018	16	93
24M7575	16	105	40M1873	4	105	53324	5	121
24M7575	16	111	40M1873	4	111	55022	31	119
24M7576	6	105	40M1873	38	119	57M6274	7	55
24M7576	6	111	40M1874	12	117	57M7014	8	55
24M7594	46	7	40M1874	14	119	58M7017	17	7
24M7594	2	107	40M5100	2	101	58M7017	20	67
24M7594	2	113	40M5427	13	87	61208	24	119
28283	16	121	40M5427	20	95	62614	7	119
29820	17	115	40M5546	26	87	62752	9	89
34M3845	11	99	40M5546	21	105	69796	16	97
34M7269	15	7	40M5546	21	111	69796	34	111
34M7300	6	69	40M7010	6	121	70072	17	89
34M7300	6	71	40M7011	7	99	71954	30	95
34M7312	5	59	40M7011	11	107	73044	21	119
34M7312	5	129	40M7011	11	113	73058	1	121
34M7312	5	131	40M7012	7	73	84488	26	119
34M7316	21	67	40M7012	14	75	84489	28	119
37848	2	103	40M7012	23	97	84492	7	117
37848	2	109	40M7012	21	99	84493	8	119

Index			Index			Index		
Article no.	Item no.	Page	Article no.	Item no.	Page	Article no.	Item no.	Page
84496	9	119	AZ42982	9	55	LCA05379	14	91
84497	4	121	CC100342	19	67	LCA05676	7	97
84498	9	121	CC30400	12	11	LCA05811	7	79
84499	23	119	CC40259	1	125	LCA05813	11	97
84500	11	121	CC40740	2	125	LCA05813	2	117
84501	8	121	EPC032357	6	93	LCA07030	16	117
84502	12	121	JD10063	8	117	LCA07031	15	117
86451	18	11	JD39125	16	107	LCA07032	14	117
88321	7	13	JD39125	16	113	LCA07062	22	97
90210	1	129	JD9439	12	89	LCA07062	20	99
90237	5	133	L62735	16	87	LCA100120	5	37
90706	20	11	L62735	16	95	LCA101947	21	125
90708	7	19	LCA01657	19	133	LCA102087	7	129
91274	2	19	LCA03356	13	25	LCA102087	7	131
91571	11	21	LCA03356	7	69	LCA102139	14	125
91571	11	23	LCA03356	7	71	LCA103627	1	133
92100	13	119	LCA03435	12	81	LCA103633	20	129
92108	11	117	LCA03435	28	87	LCA103633	20	131
92108	17	119	LCA03435	7	93	LCA103634	19	129
92109	10	117	LCA03435	26	97	LCA103634	19	131
92109	16	119	LCA03435	20	103	LCA103897	15	125
92449	2	21	LCA03435	20	109	LCA103898	16	125
92898	8	29	LCA03435	3	117	LCA104145	18	131
93129	21	11	LCA03734	8	27	LCA104146	17	131
93690	11	29	LCA03734	4	29	LCA104172	4	17
93691	12	29	LCA03734	4	49	LCA104306	13	125
95894	1	47	LCA03734	1	57	LCA104307	12	125
96021	10	49	LCA04201	8	69	LCA104671	21	55
96022	9	49	LCA04201	8	71	LCA104672	20	55
96030	2	49	LCA04218	9	69	LCA104726	23	35
96031	1	49	LCA04218	9	71	LCA104958	9	67
96109	38	7	LCA04218	28	75	LCA104959	8	67
96116	1	15	LCA04218	4	135	LCA105088	22	55
96117	2	15	LCA05117	27	99	LCA106136	9	127
96118	3	15	LCA05117	1	107	LCA106331	19	7
96485	22	11	LCA05117	1	113	LCA106332	20	7
96643	17	11	LCA05118	15	91	LCA106345	32	97
97654	41	7	LCA05118	10	101	LCA106698	5	33
97977	24	35	LCA05118	6	119	LCA106906	15	71
97978	25	35	LCA05119	48	9	LCA106907	14	71
97980	1	43	LCA05119	18	83	LCA106908	21	71
97981	4	43	LCA05119	17	91	LCA106984	17	71
97990	18	127	LCA05119	16	115	LCA107038	1	11
98442	13	127	LCA05119	33	119	LCA107065	6	33
98957	12	127	LCA05217	6	83	LCA107165	10	73
99783	43	7	LCA05377	10	87	LCA107188	7	67
99M7143	18	7	LCA05377	33	111	LCA107189	6	67

Index			Index			Index		
Article no.	Item no.	Page	Article no.	Item no.	Page	Article no.	Item no.	Page
LCA107190	5	67	LCA109419	11	71	LCA110869	9	75
LCA107191	4	67	LCA109422	12	115	LCA110872	20	69
LCA107193	3	67	LCA109423	3	115	LCA110873	24	69
LCA107272	18	39	LCA109426	4	115	LCA110874	8	75
LCA107275	19	39	LCA109427	8	115	LCA110875	30	75
LCA107276	20	39	LCA109428	1	115	LCA110876	7	75
LCA107281	4	41	LCA109434	9	115	LCA111005	22	25
LCA107282	14	41	LCA109435	2	115	LCA111007	24	25
LCA107317	3	89	LCA109436	7	115	LCA111313	8	59
LCA107324	3	93	LCA109452	18	25	LCA111314	9	59
LCA107325	6	91	LCA109459	23	69	LCA111324	10	59
LCA107326	1	89	LCA109460	12	69	LCA111326	13	61
LCA107329	7	89	LCA109472	22	69	LCA111327	14	61
LCA107330	8	89	LCA109473	13	69	LCA111504	22	125
LCA107337	2	89	LCA109500	23	45	LCA111578	17	21
LCA107348	1	95	LCA109501	24	45	LCA111578	17	23
LCA107359	3	95	LCA109505	25	45	LCA111579	2	23
LCA107380	5	89	LCA109506	26	45	LCA111589	1	65
LCA107384	7	91	LCA109534	8	45	LCA111590	2	65
LCA107387	4	91	LCA109992	40	131	LCA111608	16	23
LCA107392	4	89	LCA109993	41	131	LCA111610	.....	21
LCA107393	4	89	LCA110020	20	35	LCA111643	.....	21
LCA107485	38	131	LCA110022	21	35	LCA111711	14	21
LCA107734	21	39	LCA110023	22	35	LCA111711	14	23
LCA107735	22	39	LCA110087	21	25	LCA111713	4	127
LCA107760	23	39	LCA110348	7	95	LCA111982	12	59
LCA107761	24	39	LCA110349	8	95	LCA113262	23	71
LCA107770	25	39	LCA110364	4	93	LCA113263	12	71
LCA107836	15	53	LCA110365	10	115	LCA113267	22	71
LCA107837	16	53	LCA110366	11	115	LCA113268	13	71
LCA107838	17	53	LCA110367	27	115	LCA113427	5	41
LCA107839	18	53	LCA110368	5	115	LCA113428	6	41
LCA107840	19	53	LCA110378	1	93	LCA113450	13	65
LCA107842	10	53	LCA110379	2	93	LCA113528	24	55
LCA107874	18	45	LCA110382	13	91	LCA113567	27	55
LCA107894	26	39	LCA110383	13	91	LCA113568	.....	55
LCA107970	19	75	LCA110421	9	91	LCA113574	17	55
LCA107975	17	125	LCA110422	8	91	LCA113718	21	115
LCA108110	18	125	LCA110422	26	95	LCA113719	28	115
LCA109068	7	33	LCA110423	27	95	LCA113720	35	115
LCA109070	8	33	LCA110424	2	91	LCA113721	29	115
LCA109071	9	33	LCA110425	11	91	LCA113851	16	39
LCA109091	11	75	LCA110425	24	95	LCA113852	17	39
LCA109092	29	75	LCA110426	2	91	LCA113861	27	39
LCA109418	10	69	LCA110427	6	89	LCA113862	28	39
LCA109418	10	71	LCA110865	21	69	LCA113867	11	59
LCA109419	11	69	LCA110868	10	75	LCA114007	9	95

Index			Index			Index		
Article no.	Item no.	Page	Article no.	Item no.	Page	Article no.	Item no.	Page
LCA114009	11	93	LCA36868	19	111	LCA56102	26	107
LCA114009	25	95	LCA38167	24	75	LCA56102	26	113
LCA114010	20	89	LCA38332	11	85	LCA56600	17	31
LCA114010	12	91	LCA38332	10	89	LCA56794	6	87
LCA114011	3	91	LCA38672	3	87	LCA57049	14	85
LCA114013	14	89	LCA38941	14	55	LCA57540	9	97
LCA114014	16	89	LCA40152	10	131	LCA57540	5	103
LCA114595	16	63	LCA40165	13	131	LCA57540	5	109
LCA115060	25	25	LCA40176	30	131	LCA58673	18	91
LCA11657	30	87	LCA40287	8	65	LCA58673	13	95
LCA11657	31	95	LCA40287	31	131	LCA58688	15	105
LCA117568	13	75	LCA40556	24	83	LCA58688	15	111
LCA117569	12	75	LCA40556	5	87	LCA59045	3	79
LCA117571	12	59	LCA40556	12	95	LCA59390	29	127
LCA117758	7	75	LCA40556	23	101	LCA59408	5	81
LCA118533	31	127	LCA40940	6	19	LCA59408	3	103
LCA12776	3	99	LCA40940	13	21	LCA59408	3	109
LCA13009	17	107	LCA40940	13	23	LCA59521	29	87
LCA13009	17	113	LCA40940	14	25	LCA59521	21	103
LCA13224	25	107	LCA40940	12	73	LCA59521	21	109
LCA13224	25	113	LCA40940	10	103	LCA60311	15	25
LCA14625	6	97	LCA40940	10	109	LCA61059	17	129
LCA14902	12	55	LCA40940	20	119	LCA61185	23	95
LCA14903	11	55	LCA42765	17	97	LCA61193	21	87
LCA27672	6	107	LCA44418	5	97	LCA61334	18	67
LCA27672	6	113	LCA44646	15	55	LCA61391	1	83
LCA27677	13	115	LCA44646	12	65	LCA62028	21	7
LCA27946	30	105	LCA44646	2	129	LCA62402	25	55
LCA27946	30	111	LCA44646	2	131	LCA62403	26	55
LCA28023	19	97	LCA46097	7	105	LCA62683	13	73
LCA28030	4	87	LCA46097	7	111	LCA62684	14	73
LCA28916	11	119	LCA49033	6	101	LCA62752	3	85
LCA29076	9	105	LCA49037	3	101	LCA62760	14	87
LCA29076	9	111	LCA49075	34	99	LCA62761	15	87
LCA29076	33	115	LCA50715	14	115	LCA62761	16	105
LCA29460	47	9	LCA51184	22	129	LCA62761	16	111
LCA29591	9	85	LCA52008	2	105	LCA63242	12	83
LCA30567	12	97	LCA53616	5	125	LCA63242	1	91
LCA30567	1	117	LCA55051	2	79	LCA63260	3	125
LCA30843	4	125	LCA55369	5	83	LCA63274	13	81
LCA32029	11	73	LCA55473	26	83	LCA63274	27	97
LCA32048	15	115	LCA55473	4	87	LCA63274	31	115
LCA32393	18	129	LCA55480	4	101	LCA63274	4	117
LCA35363	13	55	LCA55577	14	107	LCA64557	22	73
LCA35964	10	91	LCA55577	14	113	LCA64574	15	73
LCA36716	18	89	LCA55964	2	135	LCA64956	7	65
LCA36868	19	105	LCA56102	21	85	LCA65149	22	95



Index			Index			Index		
Article no.	Item no.	Page	Article no.	Item no.	Page	Article no.	Item no.	Page
LCA65588	16	99	LCA71878	10	31	LCA73682	16	55
LCA65597	11	89	LCA71878	8	35	LCA74245	8	61
LCA65598	24	105	LCA71878	6	37	LCA74245	10	63
LCA65598	24	111	LCA71878	29	39	LCA74847	22	131
LCA65599	27	119	LCA71878	8	43	LCA75896	21	95
LCA66147	16	127	LCA71878	13	45	LCA75900	22	119
LCA66387	23	55	LCA71878	2	47	LCA76263	16	91
LCA66505	6	125	LCA71878	4	51	LCA76374	13	33
LCA66507	7	125	LCA71878	6	61	LCA77644	20	75
LCA66749	12	119	LCA71878	8	63	LCA77644	6	97
LCA66910	15	65	LCA71878	6	75	LCA77872	6	79
LCA67042	16	65	LCA71878	10	129	LCA77875	4	79
LCA67042	11	131	LCA71878	23	131	LCA78013	6	85
LCA67046	19	115	LCA71878	21	133	LCA78074	4	77
LCA67156	12	31	LCA71928	11	95	LCA78236	20	31
LCA67157	19	31	LCA71951	18	73	LCA78237	3	31
LCA67354	20	83	LCA71953	1	99	LCA78238	21	31
LCA67639	22	7	LCA72096	17	67	LCA78239	2	31
LCA68462	14	65	LCA72287	16	67	LCA78440	1	123
LCA68463	14	65	LCA72287	21	75	LCA78553	17	33
LCA68473	1	65	LCA72292	29	95	LCA79040	17	33
LCA68600	8	125	LCA72292	13	97	LCA79050	1	135
LCA68622	9	125	LCA72358	19	55	LCA79185	9	65
LCA68623	10	125	LCA72673	1	17	LCA79570	5	79
LCA69132	18	99	LCA72740	24	7	LCA80774	14	67
LCA69385	8	101	LCA72740	5	15	LCA81604	17	81
LCA69386	25	97	LCA72740	7	29	LCA81867	29	119
LCA69387	15	81	LCA72740	9	35	LCA81868	32	119
LCA69387	5	93	LCA72740	7	37	LCA82131	1	81
LCA69450	3	121	LCA72740	15	39	LCA82131	32	87
LCA69654	16	73	LCA72740	7	41	LCA82131	19	93
LCA69662	17	73	LCA72740	7	43	LCA82131	28	95
LCA69672	27	105	LCA72740	14	45	LCA82131	34	115
LCA69672	27	111	LCA72740	8	49	LCA83053	39	119
LCA69673	28	105	LCA72740	7	61	LCA83295	10	65
LCA69673	28	111	LCA72740	9	63	LCA83396	10	55
LCA69771	5	101	LCA72740	15	67	LCA84221	25	7
LCA69777	30	97	LCA72740	5	75	LCA84221	16	11
LCA69799	4	97	LCA72740	15	127	LCA84221	3	19
LCA69805	10	33	LCA72740	9	133	LCA84221	21	21
LCA69806	11	33	LCA73048	2	121	LCA84221	6	23
LCA69947	12	33	LCA73056	11	125	LCA84221	16	25
LCA70756	6	65	LCA73062	5	117	LCA84221	10	27
LCA70757	5	65	LCA73125	19	73	LCA84221	22	31
LCA71878	23	7	LCA73422	15	99	LCA84221	16	33
LCA71878	7	21	LCA73467	18	117	LCA84221	15	45
LCA71878	9	27	LCA73470	7	83	LCA84221	7	53

Index			Index			Index		
Article no.	Item no.	Page	Article no.	Item no.	Page	Article no.	Item no.	Page
LCA84221	13	67	LCA89595	19	11	LCA91503	51	9
LCA84221	11	127	LCA89595	17	25	LCA91513	4	81
LCA84221	28	131	LCA89595	8	41	LCA91518	17	85
LCA84487	18	119	LCA89595	27	127	LCA91520	12	85
LCA84494	30	119	LCA89840	12	27	LCA91521	12	85
LCA84495	10	119	LCA89873	11	27	LCA91525	19	87
LCA84757	4	65	LCA89874	27	7	LCA91525	2	95
LCA85410	8	53	LCA89940	23	31	LCA91528	11	87
LCA85878	20	73	LCA89941	23	31	LCA91529	18	87
LCA86018	2	77	LCA89984	10	35	LCA91529	6	95
LCA86019	1	77	LCA89985	11	35	LCA91531	22	83
LCA86212	21	129	LCA89986	12	35	LCA91532	10	85
LCA86212	21	131	LCA89987	13	35	LCA91533	18	85
LCA86768	5	95	LCA89988	14	35	LCA91535	15	85
LCA86868	4	83	LCA89989	15	35	LCA91537	14	69
LCA86868	1	87	LCA89990	16	35	LCA91538	15	69
LCA86868	14	95	LCA89991	17	35	LCA91540	25	69
LCA86868	20	115	LCA89992	18	35	LCA91555	9	83
LCA86960	27	129	LCA89993	19	35	LCA91556	9	83
LCA86960	32	131	LCA90040	18	55	LCA91557	25	85
LCA87744	20	107	LCA90092	2	111	LCA91558	22	85
LCA87744	20	113	LCA90095	13	107	LCA91559	13	83
LCA87746	15	107	LCA90095	13	113	LCA91559	5	91
LCA87746	15	113	LCA90096	10	107	LCA91582	7	101
LCA87748	7	107	LCA90096	10	113	LCA91583	9	101
LCA87748	7	113	LCA90379	21	73	LCA91584	24	99
LCA87749	31	105	LCA90410	1	85	LCA91590	25	99
LCA87749	31	111	LCA90418	16	81	LCA91591	25	99
LCA87841	25	105	LCA90419	10	81	LCA91592	18	97
LCA87841	25	111	LCA90585	28	7	LCA91593	18	97
LCA87842	23	105	LCA90654	24	27	LCA91594	28	97
LCA87842	23	111	LCA90654	14	29	LCA91595	3	97
LCA87846	20	105	LCA90655	23	27	LCA91596	13	99
LCA87852	9	107	LCA90655	13	29	LCA91598	12	99
LCA87852	9	113	LCA90661	20	35	LCA91600	23	99
LCA88009	4	31	LCA90695	29	7	LCA91677	13	27
LCA88401	3	65	LCA90825	4	129	LCA91691	23	85
LCA88402	42	131	LCA90825	4	131	LCA91692	24	85
LCA88497	4	85	LCA90831	8	129	LCA91695	2	85
LCA88516	1	109	LCA90831	8	131	LCA91695	13	89
LCA88517	14	103	LCA90832	9	129	LCA91696	8	85
LCA88517	14	109	LCA90832	9	131	LCA91697	23	83
LCA88518	1	103	LCA91137	30	7	LCA91697	19	91
LCA88519	13	103	LCA91408	31	7	LCA91699	17	83
LCA88519	13	109	LCA91409	34	7	LCA91699	10	121
LCA88520	19	103	LCA91501	49	9	LCA91700	5	85
LCA89595	26	7	LCA91502	45	7	LCA91704	7	81

Index			Index			Index		
Article no.	Item no.	Page	Article no.	Item no.	Page	Article no.	Item no.	Page
LCA91704	22	87	LCA92104	3	119	LCA95500	12	49
LCA91704	20	93	LCA92105	37	119	LCA95708	12	67
LCA91704	33	97	LCA92106	36	119	LCA95820	6	133
LCA91704	22	103	LCA92107	35	119	LCA95825	4	133
LCA91704	22	109	LCA92110	9	117	LCA95845	37	7
LCA91704	6	115	LCA92110	15	119	LCA95845	3	133
LCA91707	27	87	LCA92111	35	7	LCA95848	2	133
LCA91708	25	87	LCA92218	44	7	LCA95892	10	67
LCA91709	12	107	LCA92255	36	7	LCA95958	15	33
LCA91709	12	113	LCA92450	4	21	LCA95959	14	33
LCA91710	5	107	LCA92450	4	23	LCA96003	17	69
LCA91710	5	113	LCA92451	3	21	LCA96072	9	99
LCA91711	18	111	LCA92451	3	23	LCA96073	1	101
LCA91712	35	111	LCA92613	23	133	LCA96074	14	97
LCA91713	16	103	LCA92636	3	129	LCA96075	10	99
LCA91713	16	109	LCA92636	3	131	LCA96076	28	99
LCA91714	22	107	LCA92910	14	27	LCA96077	14	99
LCA91714	22	113	LCA92910	9	29	LCA96078	22	99
LCA91722	18	103	LCA92910	6	57	LCA96110	16	21
LCA91722	18	109	LCA92911	15	27	LCA96191	17	27
LCA91723	21	107	LCA92911	3	49	LCA96282	11	49
LCA91723	21	113	LCA92911	7	57	LCA96357	6	49
LCA91724	19	109	LCA93241	10	29	LCA96358	6	51
LCA91725	20	111	LCA93681	21	35	LCA96359	7	51
LCA91726	32	111	LCA93682	22	35	LCA96462	13	41
LCA91728	3	83	LCA93738	9	41	LCA96490	2	65
LCA91729	8	81	LCA93739	10	41	LCA96601	1	31
LCA91731	20	87	LCA94058	23	35	LCA96602	16	31
LCA91733	15	83	LCA94133	4	75	LCA96652	39	7
LCA91734	8	87	LCA94239	1	105	LCA96653	32	7
LCA91734	4	95	LCA94239	1	111	LCA96679	20	133
LCA91735	11	105	LCA94568	8	133	LCA97136	3	77
LCA91735	11	111	LCA94716	7	133	LCA97136	1	79
LCA91737	16	83	LCA94849	30	99	LCA97275	5	127
LCA91739	14	83	LCA94850	29	99	LCA97384	18	27
LCA91740	11	83	LCA94863	23	75	LCA97387	19	27
LCA91741	11	83	LCA94905	10	37	LCA97401	35	99
LCA91742	17	87	LCA94907	16	69	LCA97403	4	99
LCA92093	12	87	LCA94907	16	71	LCA97404	5	99
LCA92093	15	95	LCA94907	22	75	LCA97405	6	99
LCA92099	25	119	LCA95162	6	59	LCA97406	31	99
LCA92101	6	117	LCA95273	3	43	LCA97407	32	99
LCA92102	12	101	LCA95274	2	43	LCA97408	15	101
LCA92102	5	119	LCA95308	1	131	LCA97409	11	101
LCA92103	13	101	LCA95370	16	27	LCA97410	29	97
LCA92103	4	119	LCA95382	11	41	LCA97411	8	99
LCA92104	14	101	LCA95383	12	41	LCA97652	3	75

## Index

Article no.	Item no.	Page
LCA97653	2	75
LCA97658	1	75
LCA97888	20	27
LCA97894	18	31
LCA97959	18	41
LCA98016	1	97
LCA98018	2	97
LCA98083	17	65
LCA98092	17	93
LCA98120	18	115
LCA98251	8	13
LCA98300	9	73
LCA98335	9	53
LCA98454	22	127
LCA98456	1	127
LCA98487	18	69
LCA98487	18	71
LCA98488	19	69
LCA98488	19	71
LCA98489	17	105
LCA98490	8	105
LCA98490	8	111
LCA98491	14	105
LCA98491	14	111
LCA98492	17	111
LCA98499	32	105
LCA98499	36	111
LCA98500	5	105
LCA98500	5	111
LCA98501	33	105
LCA98501	37	111
LCA98519	3	89
LCA98776	7	59
LCA98911	25	127
LCA98912	19	127
LCA98913	20	127
LCA98914	16	45
LCA98915	17	45
LCA99782	42	7
LCA99799	29	131
LCA99884	8	127
LCA99997	4	127
Z59871	20	125
Z60640	19	125
Z67236	23	11
.....	34	119